

ALTERNATOR
LSA 36 - 3-phase - 4 to 10 kVA

■ Optimised electrical performance with modelling software

- Designed to supply power to all electrical or electronic tools and equipment: $THC \leq 2\%$
- Very high motor starting capacity: $3.7 P_n$
- Short-circuit current: $6 I_n$

■ One LSA 36 for all coupling types

- Adaptor kits



Single bearing with disc IM 1201



Twin bearing IM 1001



SAE J 609a B ext 6
VAIT 23 and 30

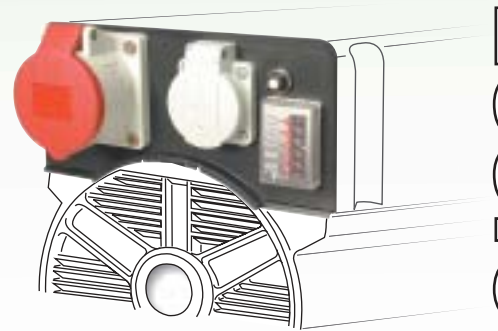
■ Compact and lightweight

- 8.5 kVA - 347 mm - 35 kg
- A single frame from 4 to 10 kVA

- 3-phase 3000 rpm - IP 23

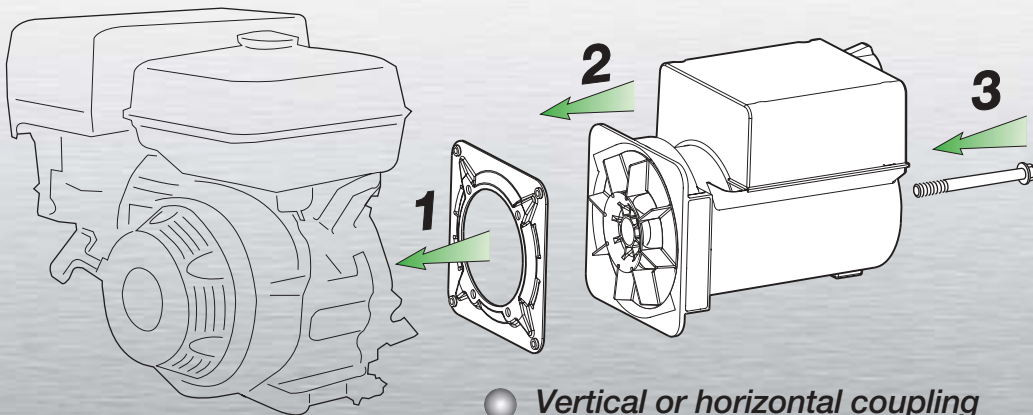
■ **Modular terminal box**

- *Easily-accessible power terminals*
- *Removable faceplates for integrating sockets, circuit-breakers and voltmeters*



■ **Quick assembly**

- *Less than 3 minutes to couple to the engine (patented system)*



- *Vertical or horizontal coupling*
- *Alignment facilitated by single screw size (13 mm socket)*

PROFESSIONAL RANGE

Power ratings 3000 rpm - 50 Hz - 400V - 3-phase - Cos Ø 0.8

Type	kVA S1 continuous	Regulation (voltage) (1)	Harmonic THC (2)	Efficiency 4/4 of load (3)	Air flow m ³ /h
LSA 36 L1	4	± 5%	≤ 2%	74%	234
LSA 36 L35	5.5	± 5%	≤ 2%	75%	234
LSA 36 L5	6.5	± 5%	≤ 2%	76%	234
LSA 36 L7	7.5 (3~)/3.5 (1~)	± 5%	≤ 2%	77%	234
LSA 36 L8	8.5 (3~)/4 (1~)	± 5%	≤ 2%	79%	234

Power ratings 3000 rpm - 50 Hz - 400V - 3-phase - Cos Ø 1

Type	kVA/kW S1 continuous	Regulation (voltage) (1)	Harmonic THC (2)	Efficiency 4/4 of load (3)	Air flow m ³ /h
LSA 36 L1	5.1	± 5%	≤ 2%	75%	234
LSA 36 L35	6.4	± 5%	≤ 2%	76%	234
LSA 36 L5	7.5	± 5%	≤ 2%	78%	234
LSA 36 L7	8.8 (3~)/3.5 (1~)	± 5%	≤ 2%	79%	234
LSA 36 L8	10 (3~)/4 (1~)	± 5%	≤ 2%	82%	234

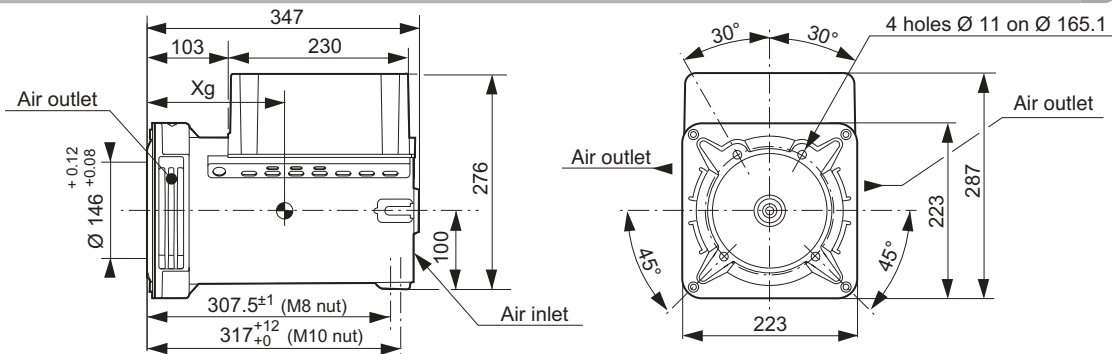
(1) Voltage regulation when cold at rated speed. (2) THC between phases on non-distorting load or no load.
(3) Efficiency when cold at rated speed.

Weight (kg)/Centre of gravity Xg (mm)/Inertia J (kg m²)

Type of coupling	LSA 36	L1	L35	L5	L7	L8
Tapered shaft SAE J 609a	Weight (kg)	24	26	29	32	35
	Xg (mm)	135	145	153	165	174
	J (kg m ²)	0.00484	0.00553	0.00603	0.00703	0.00738
Single bearing with disc IM 1201	Weight (kg)	26	28	31	34	37
	Xg (mm)	130	140	148	160	168
	J (kg m ²)	0.0784	0.00853	0.00903	0.01003	0.01038
Tapered shaft VAIT	Weight (kg)	24	26	29	32	35
	Xg (mm)	136	146	154	166	175
	J (kg m ²)	0.00484	0.00553	0.00603	0.00703	0.00738
Twin bearing IM 1001	Weight (kg)	25.5	27.5	30.5	33.5	36.5
	Xg (mm)	145	155	163	175	184
	J (kg m ²)	0.00484	0.00553	0.00603	0.00703	0.00738

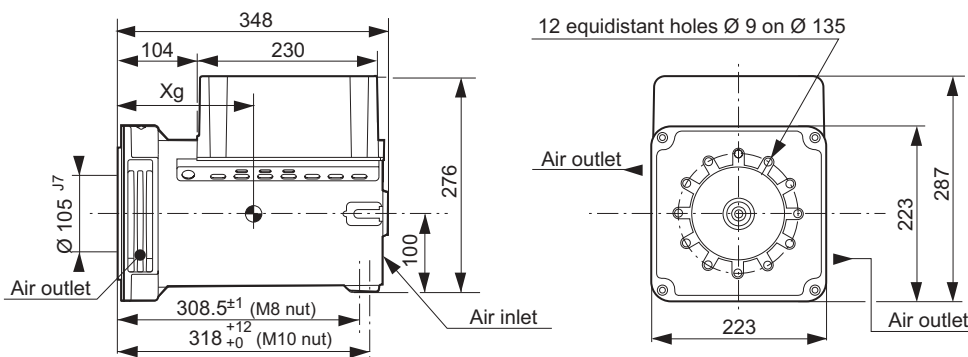
- 3-phase 3000 rpm - IP 23

Single bearing with tapered shaft - SAE J 609a B ext 6



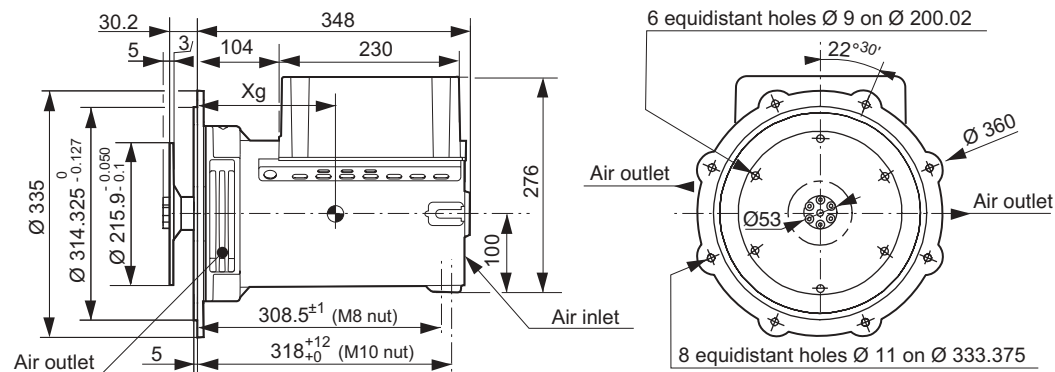
Characteristics of taper on next page

Single bearing with tapered shaft - VAIT 23 & 30

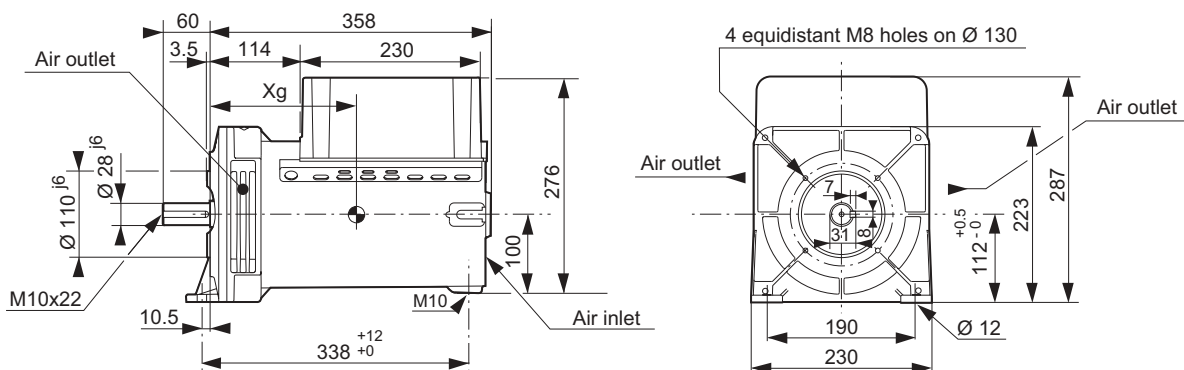


Characteristics of taper on next page

Single bearing with disc - IM 1201 - SAE 5 - 6 1/2



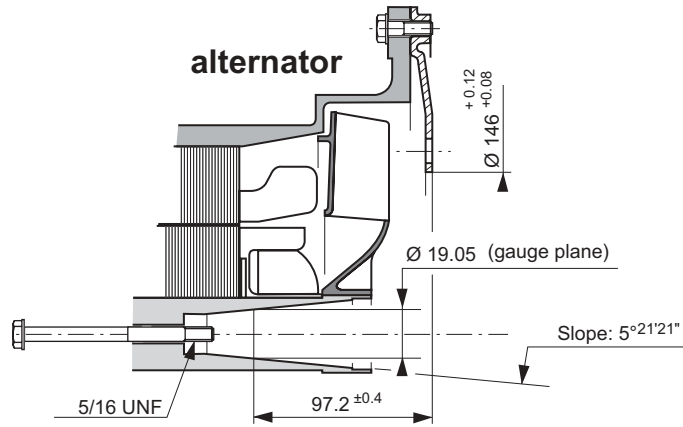
Twin bearing - IM 1001 (B3/B34)



Dimensions in millimetres

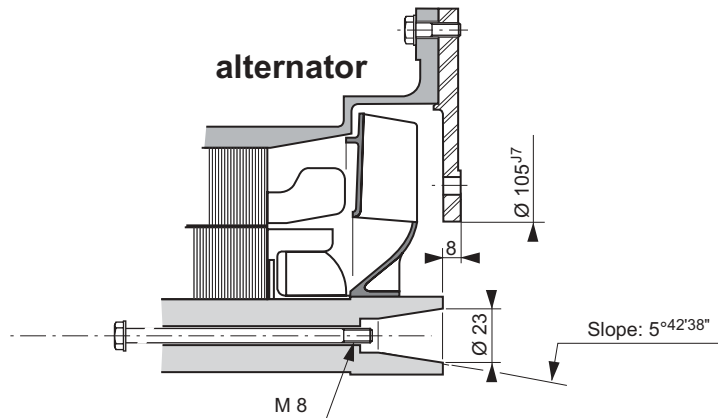
Characteristics of the taper coupling

SAE J 609a B ext 6 - (c22. c25. c35.)



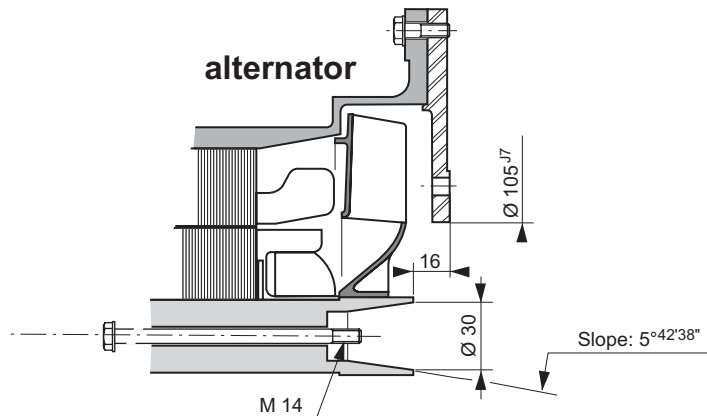
Characteristics of the taper coupling

VAIT Ø 23 - (c23.)



Characteristics of the taper coupling

VAIT Ø 30 - (c30.)

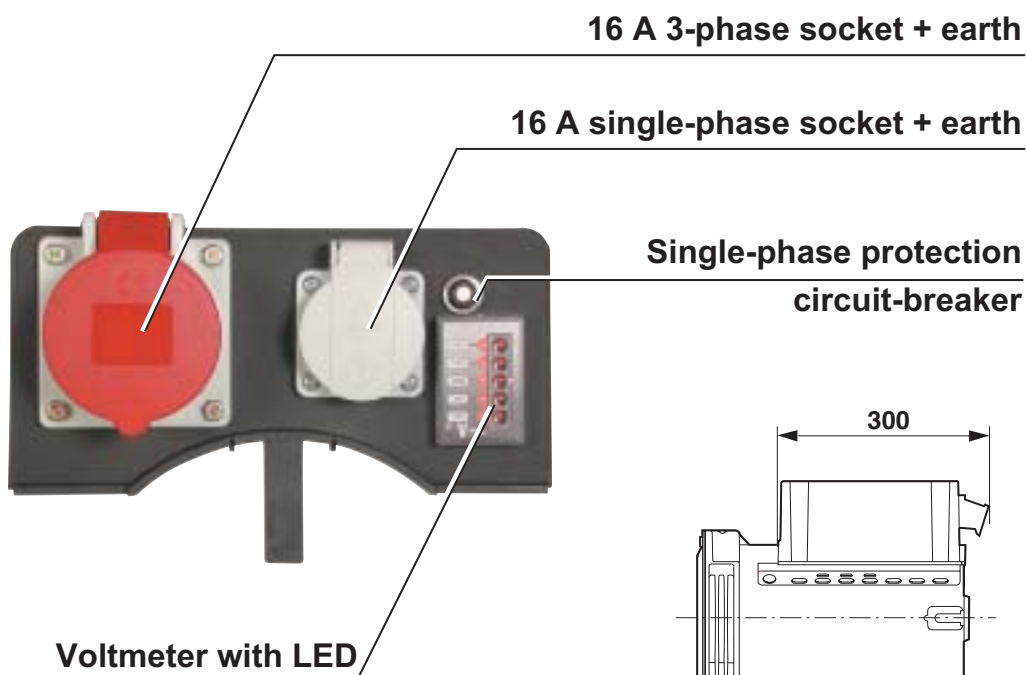
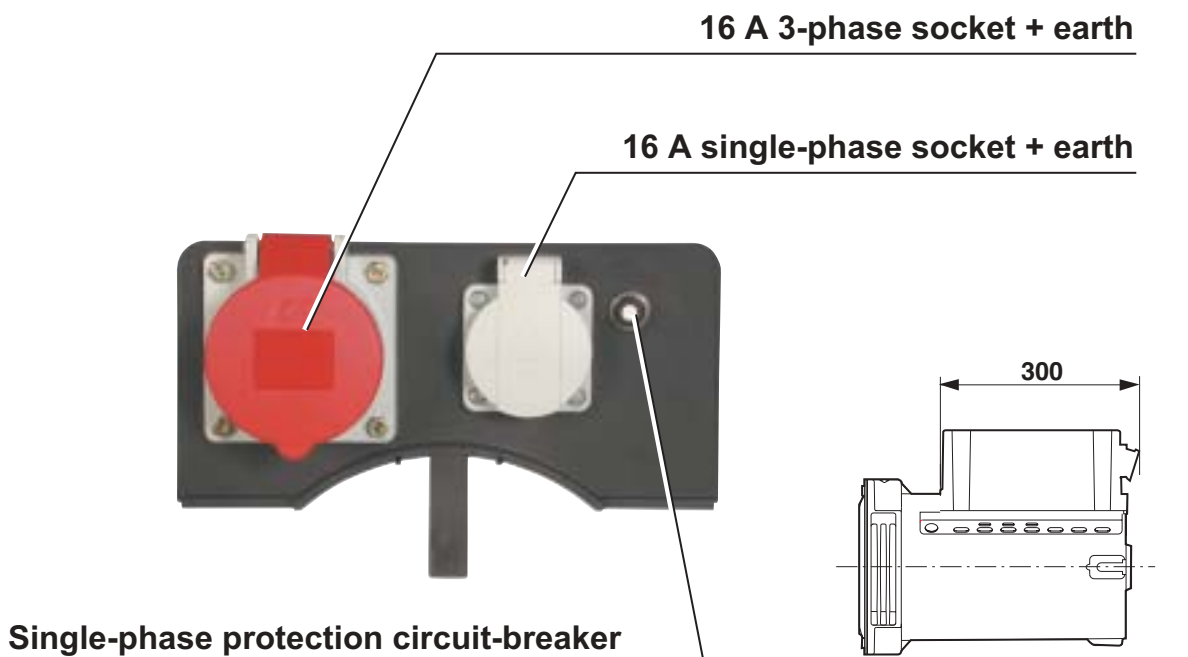


Dimensions in millimetres

PROFESSIONAL RANGE

3-phase 3000 rpm - IP 23

Optional electrical equipment



PROFESSIONAL RANGE

Dimensions in millimetres