

Geared motors with worm and wheel - IMfinity[®] Multibloc

Drive systems, Non-IE, IE2 and IE3 efficiencies

Fixed speed

Sizes 41, 31, 22 to 26

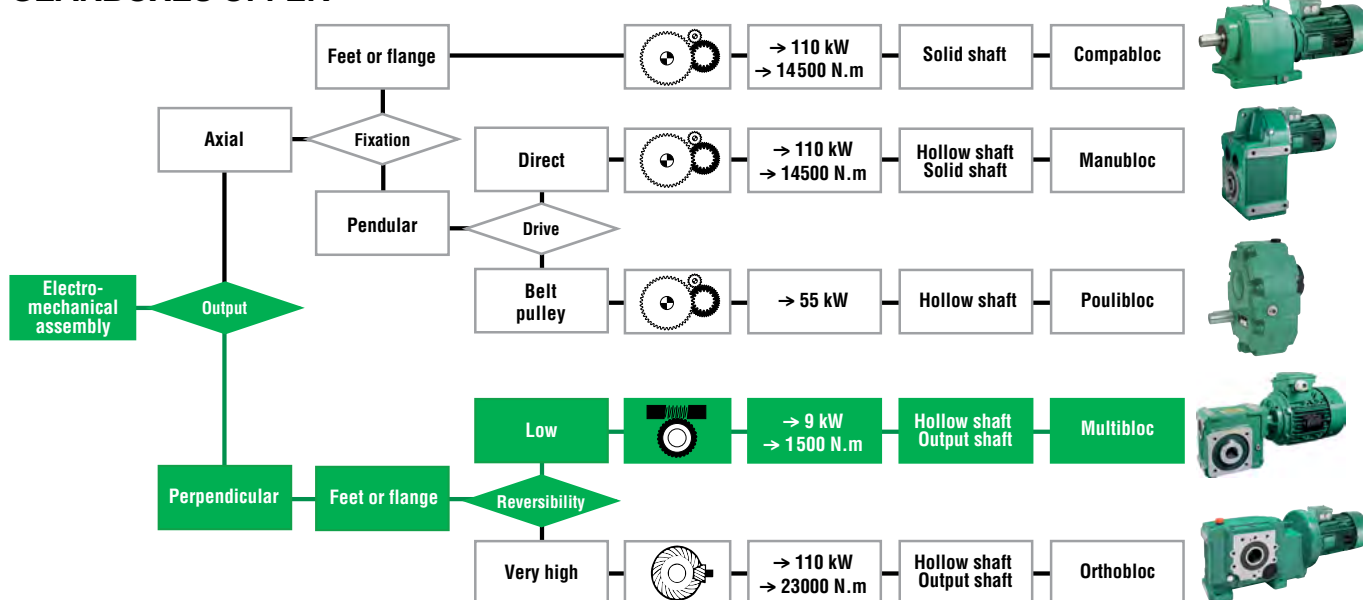
Power rating 0.06 to 9 kW

LERROY-SOMER™

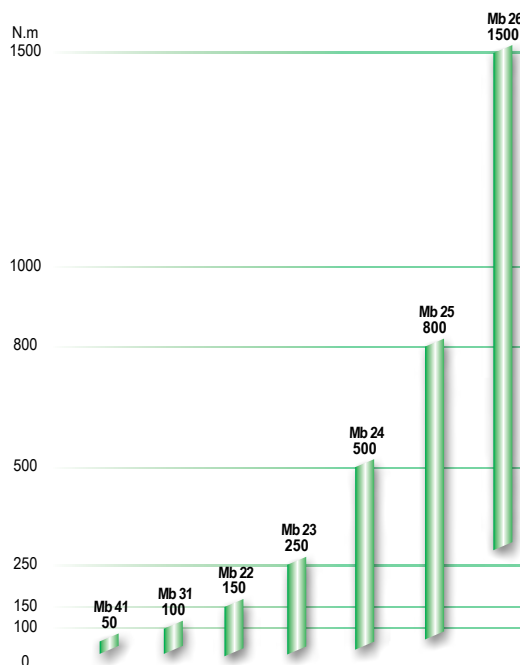
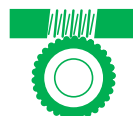
Nidec
All for dreams

Introduction

GEARBOXES OFFER



MULTIBLOC RANGE

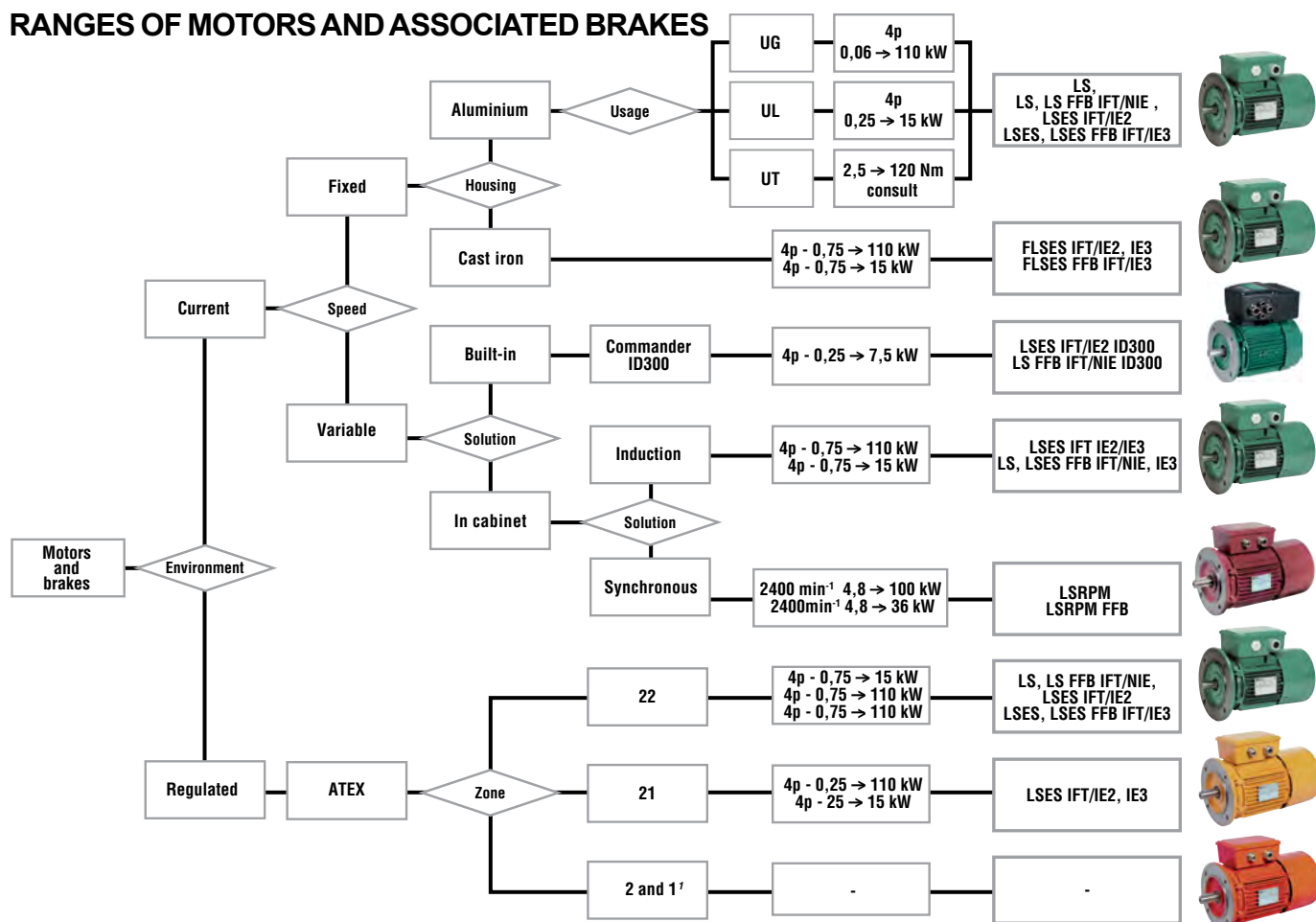


ASSOCIATED DOCUMENTATIONS

Brochure	Catalogue	Environment			
		Current use		Atex regulated	
		Installation	Maintenance	Ex II3D II2D	Ex II 3G, 3GD, II 2G, 2GD
3625 : worm and wheel geared motors Multibloc	3733 : Multibloc-IMfinity® 5181 : Electromechanical Manual	2557 : Storage and commissioning 2910 : Installation guide of Multibloc Mb 31, Mb 2000 4125 : Multibloc Mb 4101 installation	4125 : Multibloc Mb 4101 maintenance 5062 : Maintenance of Multibloc Mb 31, Mb 2000	3711 : Gearboxes for potentially explosive dust atmospheres	-

Introduction

RANGES OF MOTORS AND ASSOCIATED BRAKES



¹. Multibloc does not have certification for the "Gas" and "Gas and Dust" areas.

RANGES OF ASSOCIATED DRIVES

	Starter	Drive cabinet variable speed		Built-in variable speed			
110 kW	Digistart	Unidrive M	Powerdrive	F300	ID300 400V T		
75 kW →						M700	MD2M
45 kW →						M400	FX
→ 22 kW						M600	
→ 11 kW		M300	Proxidrive				
7.5 kW		M100			→ 7.5 kW		
		M200			→ 4 kW		
2.2 kW →					2.2 kW →		
1.1 kW					1.5 kW		
0.37 kW →					0.37 kW →		
0.25 kW →					0.25 kW →		



Contents

INTRODUCTION		
Offer, ranges	2-3	
Contents	4	
Index	5	
Glossary	6	
CONSTRUCTION		
Description	7	
Mounting arrangements		
S, NU, NS, R	8 to 9	
BSL, BDL, BNL	10 to 11	
BSR, BDR, BNR	12 to 13	
MULTIBLOC: Mb AP		
Selecting an input shaft gearbox AP		
Duty factor choice	14	
Gearbox selection	14	
Operating position.....	14	
Radial force check	14	
Choice of options	14	
Example of selection	14	
Designation	15	
Selection	16	
AP dimensions	17	
MULTIBLOC: Mb / LS, LSES		
Selecting a geared motor		
Determination of the power (or torque) necessary	18	
Determination of the duty factor required	18	
Determination of the type of geared motor required	18	
Verification	18	
Operating position	18	
Choice of options	18	
Example of selection	19	
Designation	20	
Selection tables		
Mb/LS, LSES - 4 poles - 0.06 to 9 kW	21-43	
Mb DIMENSIONS		
Mb hollow shaft	44-57	
Mb output shaft	58-71	
Mb combined	72-73	
Synthesis	74	
Equipment and options		
Torque arm	75	
BT flange for Mb 26	75	
IDENTIFICATION		
Gearbox nameplate	76-77	
Motor nameplate	78-79	
Brake nameplate	80	
INSTALLATION		
Acceptance	81	
Materials handling	81	
Storage	81	
Commissioning	81	
Lubrication	81	
Packaging weight and dimensions	82	
APPENDICES		
Configurator	83	
Service	84	
Express Availability	85	

Index

Atex	2, 3, 77	Lubrication	2, 76, 77, 81
Atmosphere	7	Maintenance	2, 81
Axial force	14, 18	Motor	3, 7, 21 to 74, 78, 79
Axial load	14, 18	Motor polarity	3, 7
Brake	3, 7, 21 to 43, 80	Mounting	8 to 13, 15, 20
Cable gland	7	Nameplates	76 to 80
CE	78 to 80	NFE	7
Characteristics	7, 16, 21 to 43	Oil	76, 81
Combined Mb mounting MI	21 to 41, 72, 73	Operating positions	9, 11, 13, 14, 15, 18, 20
Contents	4	Output shaft	7-8 to 15, 18 to 73
CSA	78 to 80	Packages	82
Dimensions	8, 10, 17, 44 to 75, 82	Paint	7
DIN	7	Radial force	14, 18, 21 to 43
Duty factor	14, 18, 21 to 43	Radial load	14, 18, 21 to 43
Efficiency	7, 18, 21 to 43	Selecting gearbox AP	14 to 17
Electromechanical	2	Selecting geared motors	18 à 43
Equipment	75	Selection tables	14, 16, 19, 21 to 43
Express Availability	81, 85	Storage	81
Fastener	8 to 13, 15, 20	Synthesis	74
FFB	3, 7, 21 to 43, 80, 85	Terminal box	7, 9, 11, 13, 44 to 75
Fixing forms	7 to 13, 15, 20	Thermal power	18
Flange form	BS, BD, BN 10 to 13, 44 to 75, 68, 69	Troubleshooting	78 to 80, 84
Forms S, NU, NS, R	8, 9, 44 to 71, 75	Universal Mounting MUF	9, 11, 13, 15, 20, 23 to 43, 48 to 57, 62 to 71, 74
Gearbox options	15, 20, 75	Universal Mounting MUT	9, 11, 13, 15, 20, 21 to 74
Gearbox ranges	2	Variable speed	3
Gearboxes	2, 15, 20		
Glossary	6		
Identification	76 to 80		
IEC	7		
Induction brake motor	3, 7, 21 to 74, 80		
Input shaft AP	7-14 to 17		
Input speed	7, 14, 16, 18, 19, 21 to 43		
ISO	7, 81		

Glossary

AP.....	Input shaft	LS.....	Aluminium serial motor not any efficiency class or not concerned by the IE
BS, BD, BN and.....	mounting flange form followed	LSES.....	IE2, IE3 aluminium motor series
B5, B53, B52,	by the operating position	M.....	Permissible torque (N.m)
B54, V1, V3	coding	m.....	Load weight (kg)
D.....	Shaft diameter (mm)	Mb.....	Multibloc
E.....	Output shaft length (mm)	M _{eq}	Equivalent torque
E1.....	Hollow shaft length (mm)	M _{Max}	Maximum permissible torque
FJ.....	Inertia factor	M _{nS}	Rated output torque
FM.....	Operating factor	M _S	Selection torque (N.m)
F _R E/2.....	Permissible radial load at E/2	MUFF.....	Universal mounting with motor IM 3001 (B5) IEC
H.....	Hollow shaft	MUFT.....	Universal mounting with motor IM 3601 (B14) CEI
HA.....	Frame size	N _E	Input speed
HL, HR, (HLR).....	Output shaft(s)	N _S	Gearbox output speed
h/j.....	hour/day	NS.....	Offset feet fixing base
i.....	Exact reduction of gearbox	NU, NS et.....	Fixing form followed by
i _{aR}	Reduction ratio	B3, B8, B6,	the operating position
IP, IK.....	Protection indexes	B7, V5, V6	coding
J.....	Moment of inertia	P.....	Input power (kW)
J _{C/M}	Moment of inertia of the load applied to the motor shaft expressed in kg.m ²	P _{eq}	Equivalent power
J _M	Motor moment of inertia	P _{uE}	Working input power
K.....	Overall duty factor	P _t	Thermal power
K1.....	Duty factor depending on the inertia factor	η.....	Efficiency
K2.....	Duty factor depending on the operating factor	U.G.....	General applications
Kp.....	Maximum possible duty factor for the geared motor	U.L.....	Hoisting applications
kW.....	Kilo Watt	U.T.....	Displacement Usage
K _θ	Thermal power correction factor	Z (d/h).....	Starting frequency of the application (s/h)

Geared motors with worm and wheel - IMfinity®

Multibloc

Construction

Description



Multibloc worm and wheel geared motors are used to adapt the speed of the electric motor to that of the driven machine.

Therefore, they are determined by the motor power (P) expressed in kilowatts (kW) and the output rotation speed of the gearbox (N_S) in revolutions per minute (min^{-1}).

The main characteristic of the gearboxes is the rated output torque (M_{nS}) expressed in Newton-metres (N.m):

$$M_{nS} = \frac{P \times 9550}{N_S} \times \text{efficiency}$$

A range of seven sizes: 41, 31, 22, 23, 24, 25, 26.

Rated output torque: 20 N.m to 1500 Nm.

Power rating : from 0.06 to 9 kW.

Reduction ratios: from 5.2 to 2630.

High efficiency: 55 % to 88 %.

Very silent operation.

Name	Material	Observation
Housing	Aluminium Cast iron	Mb 41: pressure die-cast aluminium, heavily ribbed to improve mechanical strength and heat dissipation - use of single-component pearlitic FGL-150 cast iron (flake graphite: 150 MPa on breaking) Mb 31, Mb 22, Mb 23 and ENGJL cast iron (flake graphite: 200 MPa tensile strength) Mb 24 to Mb 26 single component perlite to ensure the complete sealing - monobloc with reinforced internal ribbing to absorb vibrations and noise and to increase rigidity - with NU housing, it becomes versatile by the adaptation of: * R torque arm kit, * S baseplate (Mb 31 excepted), * BS BD or BN flanges. They are compact and meet industrial requirements.
Wheel	Bronze	- moulded around steel or cast iron inserts, blocked with respect to the worm, supported by two large diameter bearings without intermediate shield (excepting Mb 26)
Worm	Steel	- cut on whirl lathe, tempered and ground
Shafts	Steel	- grinding of the sealing surfaces - hollow cylindrical or output with key in accordance with ISO R773 - diameter tolerance H7 for hollow shaft and h6 for output shaft - tapped holes at output shaft end in accordance with DIN 332 form DR for mounting connecting equipment
Lip seals	Nitrile	- anti-dust lip seal according to DIN 3760 form AS - ground sealing surfaces
End shields	Cast iron	- on size 26, reinforced by large ribs, ensuring ruggedness of the gearbox under heavy loads
Lubrication	Oil	- in accordance with ISO 6743 / 6 - delivered with the quantity of oil corresponding to a multi-position operation, it is fitted with drain, level and vent plugs (excepting Mb 31 and Mb 41)
Mounting		- AP: input shaft gearbox (excepting Mb 31 and Mb 41) - MU (FF or FT) : geared motor with IEC motor, with universal mounting
Standard motor		- LS 71, 4 poles: three phase multiple voltage 230/400 VY - 400 VΔ - LS and LSES 80 to 160, 4 poles: three phase multiple voltage 230VΔ - 380VY - 400VY - 415VY 50 Hz - 460VY 60 Hz / 380VΔ - 400VΔ - 415VΔ - 690VY 50 Hz - 460VΔ 60 Hz - composite material (80 to 112) aluminium alloy (71 and ≥ 132) ventilation cover, on request fitted with a drip cover for operation in vertical position (shaft facing down) - LS, LSES: terminal box made of composite material (80 to 112) aluminium alloy 71 and (≥ 132) equipped with threaded plugs (without cable glands) - IP 55 standard protection
Brake motors		- FFB: failsafe brake induction motor, IP55 (LS 71 to 132, LSES 80 to 2601, for Mb 31, Mb 2201 to Mb 2601) - FMD: failsafe brake induction motor, IP55 (LS 56 to 71 for Mb 4101)
Paint	Unpainted Colour RAL 6000 (green) Limited durability class Colour RAL 6000 (green) Medium durability class	- Mb 41 - Ia system, standard series LS, LSES: Mb 31, Mb 22 to 26 - Resistance to neutral saline mist: 120 h (according to ISO 9227) - IIa system, standard series FLSES: Mb 31, Mb 22 to 26 - Resistance to neutral saline mist: 240 h (according to ISO 9227)

Geared motors with worm and wheel - IMfinity®

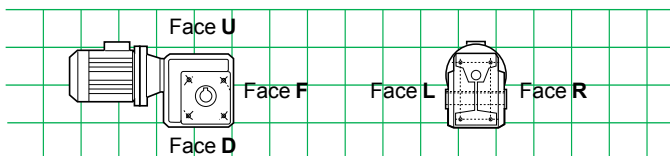
Multibloc

Construction

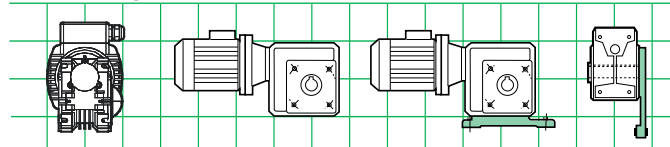
Fixing forms: S, NU, NS, R

Standard position: gearbox seen from side F, motor to the rear, side D facing the ground

1 - Marking of the sides



2 - Mounting



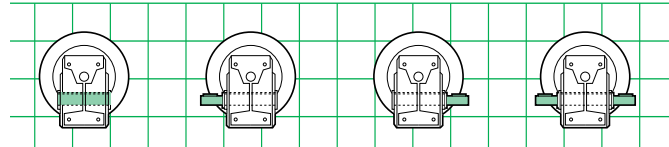
S
(Mb 4101:
integrated
feet)

NU
(Mb 31,
Mb 22 to Mb 26)

NSD
Feet fixing
baseplate
(Mb 22 to Mb 26)

RRD
(Torque
arm
supplied
in kit RK)

3 - Output shaft

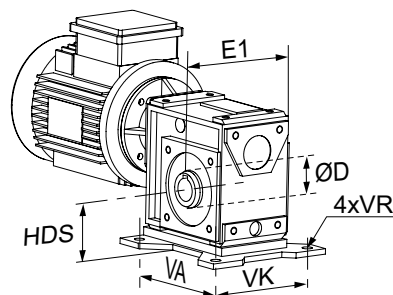
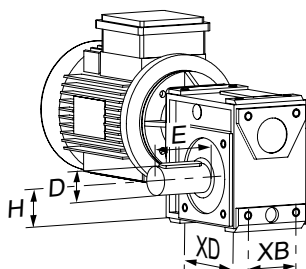
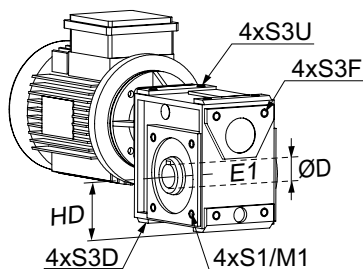


H

HL

HR

HLR



Dimensions in millimetres

- NU form, hollow shaft H, left output shaft HL, right output shaft HR

Type	NU ¹							Shaft H		Shaft HL, HR, HLR		kg
	HD	4xS1/ØM1	4xS3D	4xS3F	4xS3U	XB	XD	ØD	E1	ØD	E	
Mb 2601	100	-	M14x20	M14x20	M14x20	100	190	50H7	188	50h6	100	37
Mb 2501	90	M12x20/180	M12x20	M12x20	M12x20	90	175	45H7	168	45h6	90	31
Mb 2401	75	M10x15/130	M10x15	M10x15	M10x15	86	162	35H7	138	35h6	70	17.5
Mb 2301	63	M8x12/115	M8x12	M8x12	M8x12	70	120	30H7	118	30h6	60	10.5
Mb 2201	56	M8x12/105	M8x12	M8x12	M8x12	60	105	25H7	108	25h6	50	8
Mb 3101	50	M8x12/85	M8x12	M8x12*	-	63	63	20H7	90	20h6	40	5
Mb 4101	50	M6x13/85	6.5	6.5	6.5	63	63	20H8	78	20j6	45	2.5

¹ S for Mb 4101

* Upon request

- NS form, hollow shaft H, left output shaft HL, right output shaft HR

Type	NS				Shaft H		Shaft HL, HR		kg
	HDS	VA	VK	4xVR	ØD	E1	ØD	E	
Mb 2601	120	250	180	18	50H7	188	50h6	100	44
Mb 2501	106	220	156	16	45H7	168	45h6	90	34
Mb 2401	90	202	156	14	35H7	138	35h6	70	18
Mb 2301	69	154	128	11	30H7	118	30h6	60	11
Mb 2201	62	134	125	11	25H7	108	25h6	50	8
Mb 31, 41	-	-	-	-	-	-	-	-	-

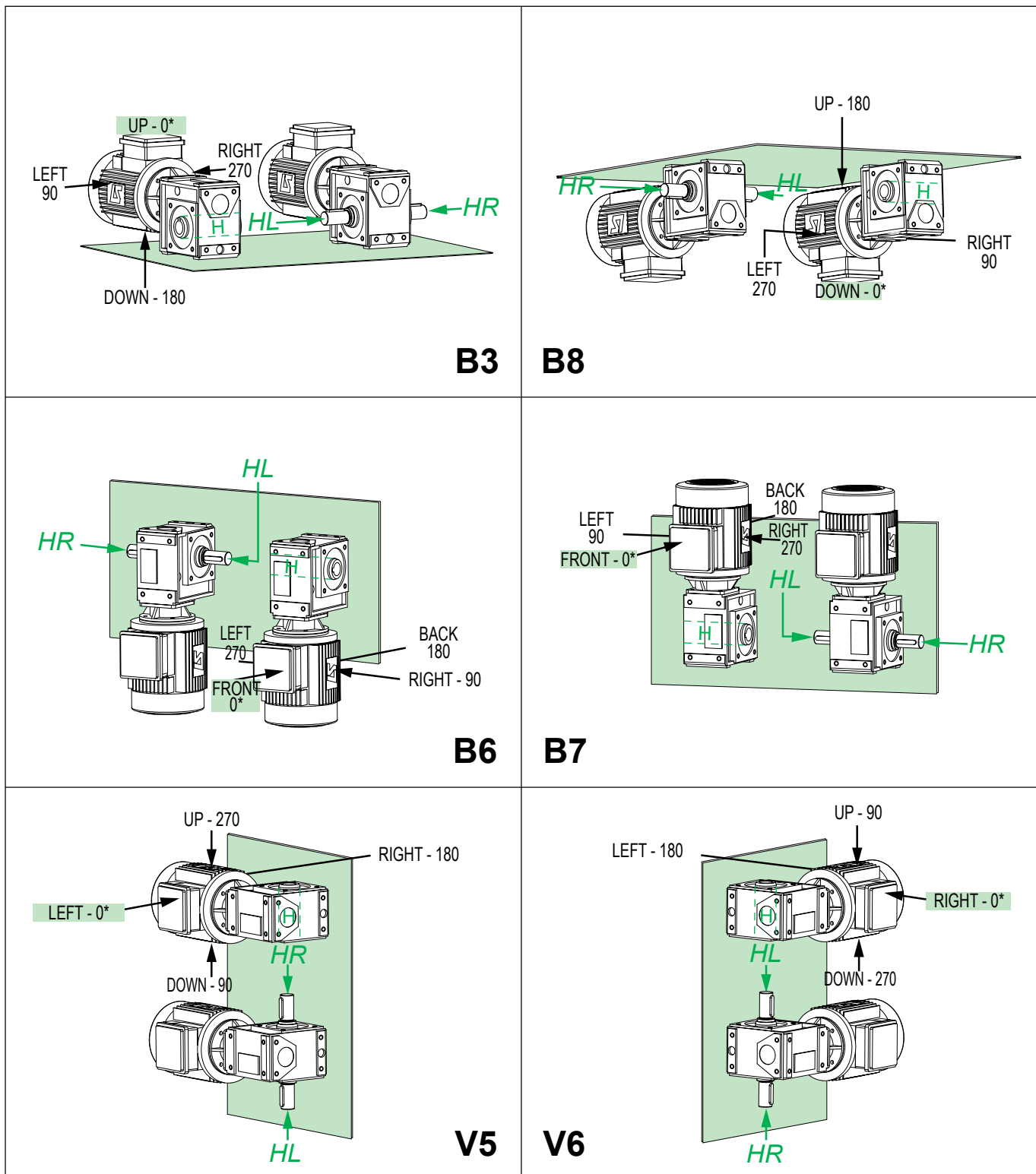
Geared motors with worm and wheel - IMfinity®

Multibloc

Construction

Mb NU, NS, R operating positions

The absolute orientation of the connection (TB: Up, Down, Right, Left, Front, Back) is related to the chosen operating position. The relative orientation (0-90-180-270, in anticlockwise direction), a consequence of the absolute position, is related to the base of the gearbox (real or imaginary) for an observer, facing the gearbox.



* Std terminal box

Output shaft on left HL, right HR, hollow H.

Geared motors with worm and wheel - IMfinity®

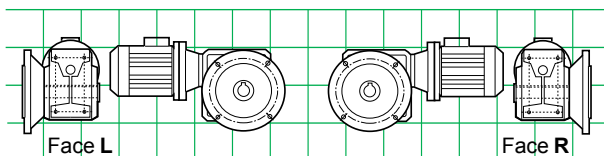
Multibloc

Construction

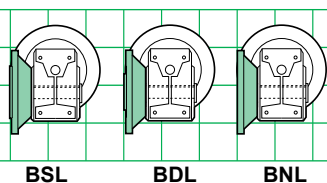
Fixing forms: BSL, BDL, BNL

Standard position: gearbox seen from side F, motor to the rear, side D facing the ground

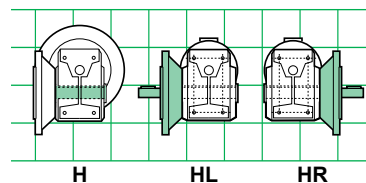
1 - Marking of the sides



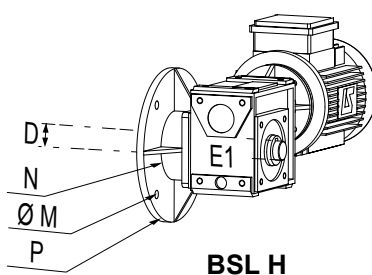
2 - Flange mounting (on left)



3 - Output shaft

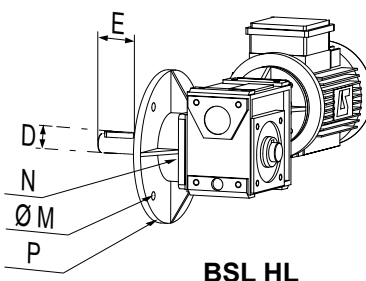


Dimensions in millimetres



- Flange form, hollow shaft H

Brake	Flange						Shaft H		kg		
	BS			BD, BD1, BD2			BN			ØD	E1
	ØM	ØNj6	ØP	ØM	ØNj6	ØP	ØM	ØP			
Mb 2601	300	250	350	265	230	300	-	-	50H7	188	47
Mb 2501	265	230	300	215	180	250	265	300	45H7	168	38
Mb 2401	215	180	250	165	130	200	215	250	35H7	138	23
Mb 2301	165	130	200	130	110	160	165	200	30H7	118	14
Mb 2201	165	130	200	130	110	160	165	200	25H7	108	11
Mb 3101	-	-	-	-	-	-	100	120			6
	-	-	-	-	-	-	85	105	20H7	90	6
	-	-	-	-	-	-	115	140			6.2
Mb 4101	100	80	120	85	70	105	-	-	20H8	78	2.2
	-	-	-	115	95	140	-	-			2.5



- Flange form, left output shaft HL, right output shaft HR

Brake	Flange						Shaft HL, HR		kg		
	BS			BD, BD1, BD2			BN			ØD	E
	ØM	ØNj6	ØP	ØM	ØNj6	ØP	ØM	ØP			
Mb 2601	300	250	350	265	230	300	-	-	50h6	100	52.9
Mb 2501	265	230	300	215	180	250	265	300	45h6	90	41.7
Mb 2401	215	180	250	165	130	200	215	250	35h6	70	24.9
Mb 2301	165	130	200	130	110	160	165	200	30h6	60	15
Mb 2201	165	130	200	130	110	160	165	200	25h6	50	12
Mb 3101	-	-	-	-	-	-	100	120			6.5
	-	-	-	-	-	-	85	105	20h6	40	6.5
	-	-	-	-	-	-	115	140			6.5
Mb 4101	100	80	120	85	70	105	-	-	20j6	45	2.7
	-	-	-	115	95	140	-	-			3

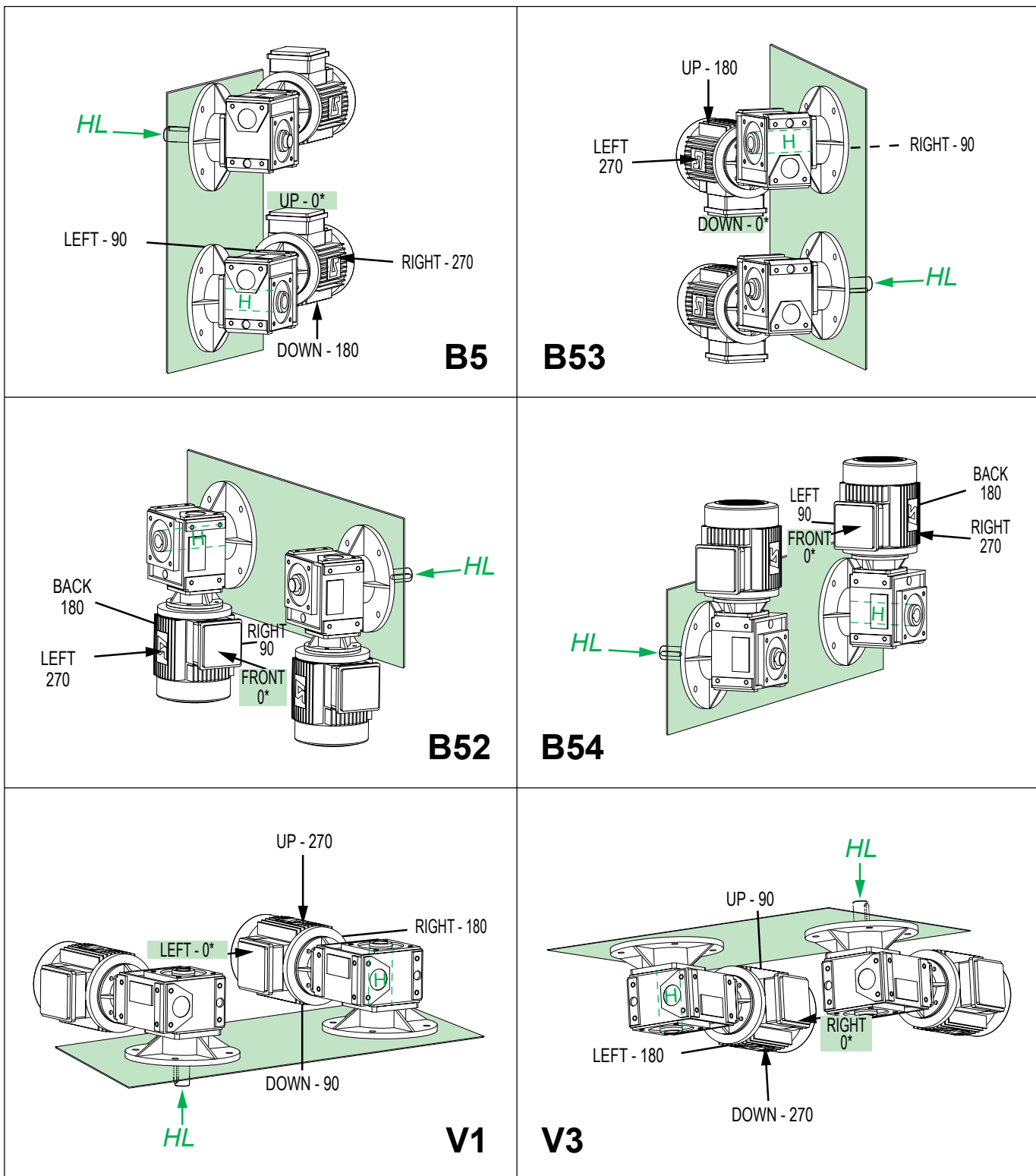
Geared motors with worm and wheel - IMfinity®

Multibloc

Construction

Mb BSL, BDL, BNL operating positions

The absolute orientation of the connection (TB: Up, Down, Right, Left, Front, Back) is related to the chosen operating position. The relative orientation (0-90-180-270, in anticlockwise direction), a consequence of the absolute position, is related to the base of the gearbox (real or imaginary) for an observer, facing the gearbox.



* Std terminal box

Output shaft on left HL, right HR, hollow H.

Geared motors with worm and wheel - IMfinity®

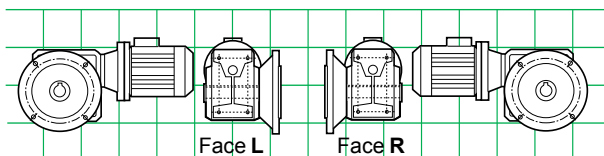
Multibloc

Construction

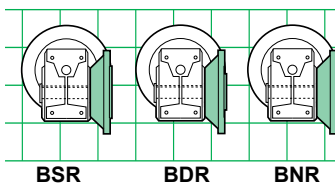
Fixing forms: BSR, BDR, BNR

Standard position: gearbox seen from side F, motor to the rear, side D facing the ground

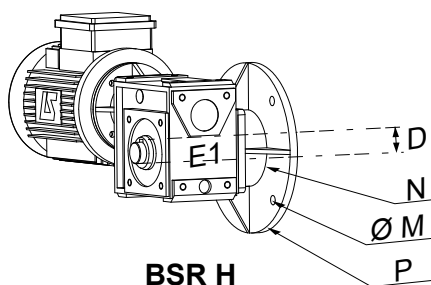
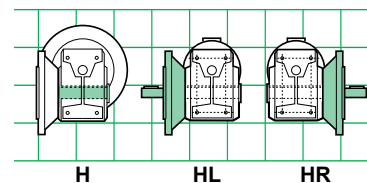
1 - Marking of the sides



2 - Flange mounting (on left)



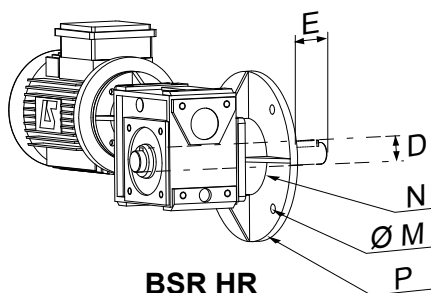
3 - Output shaft



Dimensions in millimetres

- Flange form, hollow shaft H

Brake	Flange								Shaft H		kg
	BS			BD, BD1, BD2			BN		ØD	E1	
	ØM	ØNj6	ØP	ØM	ØNj6	ØP	ØM	ØP			
Mb 2601	300	250	350	265	230	300	-	-	50H7	188	47
Mb 2501	265	230	300	215	180	250	265	300	45H7	168	38
Mb 2401	215	180	250	165	130	200	215	250	35H7	138	23
Mb 2301	165	130	200	130	110	160	165	200	30H7	118	14
Mb 2201	165	130	200	130	110	160	165	200	25H7	108	11
	-	-	-	-	-	-	100	120			6
Mb 3101	-	-	-	-	-	-	85	105	20H7	90	6
	-	-	-	-	-	-	115	140			6.2
Mb 4101	100	80	120	85	70	105	-	-	20H8	78	2.2
	-	-	-	115	95	140	-	-			2.5



- Flange form, left output shaft HL, right output shaft HR

Brake	Flange								Shaft HL, HR		kg
	BS			BD, BD1, BD2			BN		ØD	E	
	ØM	ØNj6	ØP	ØM	ØNj6	ØP	ØM	ØP			
Mb 2601	300	250	350	265	230	300	-	-	50h6	100	52.9
Mb 2501	265	230	300	215	180	250	265	300	45h6	90	41.7
Mb 2401	215	180	250	165	130	200	215	250	35h6	70	24.9
Mb 2301	165	130	200	130	110	160	165	200	30h6	60	15
Mb 2201	165	130	200	130	110	160	165	200	25h6	50	12
	-	-	-	-	-	-	100	120			6.5
Mb 3101	-	-	-	-	-	-	85	105	20h6	40	6.5
	-	-	-	-	-	-	115	140			6.5
Mb 4101	100	80	120	85	70	105	-	-	20j6	45	2.7
	-	-	-	115	95	140	-	-			3

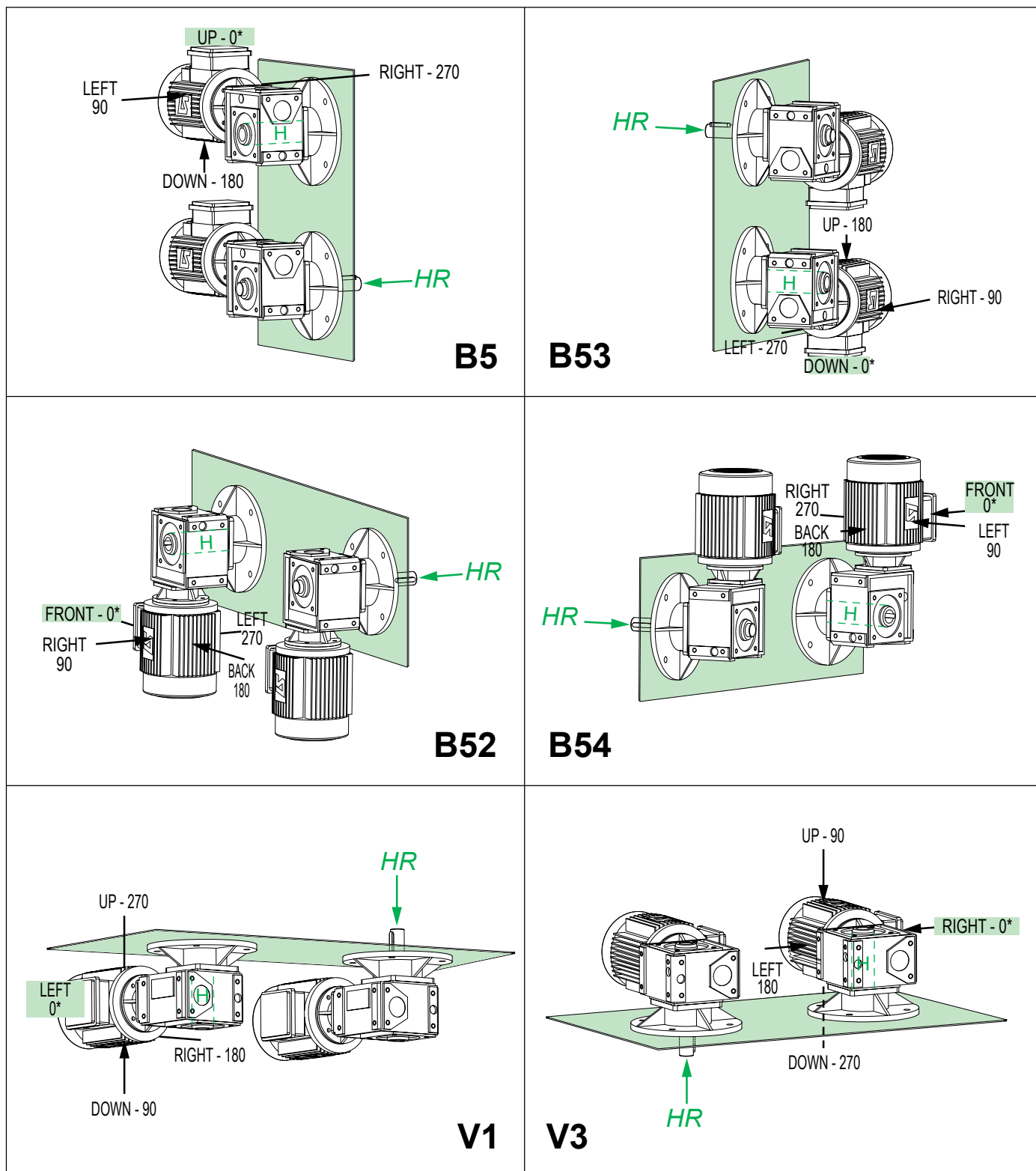
Geared motors with worm and wheel - IMfinity®

Multibloc

Construction

Mb BSR, BDR, BNR operating positions

The absolute orientation of the connection (TB: Up, Down, Right, Left, Front, Back) is related to the chosen operating position. The relative orientation (0-90-180-270, in anticlockwise direction), a consequence of the absolute position, is related to the base of the gearbox (real or imaginary) for an observer, facing the gearbox.



* Std terminal box

Output shaft on left HL, right HR, hollow H.

SELECTING AN INPUT SHAFT GEARBOX (AP)

The following must be known:

- M_S : the output torque required for the application or the input power,
- N_E et N_S : the input and output speeds (in RPM) required for the application,
- the form: plain housing NU, baseplate NS, torque arm R, flanges BS, BD, BN, and the operating position, see pages 8 to 13.

1- Selecting the gearbox

a - Calculation of the duty factor K required for the application; refer to page 41 of the Electromechanical Manual reference 5181.

$$K = K1 \times K2$$

b - Calculate the reduction i :

$$i = N_E / N_S$$

c - Calculate:

- the equivalent torque M_{eq} :

$$M_{eq} = M_S \times K$$

where M_S is the output torque (in N.m), K the duty factor,

- or the equivalent power P_{eq} :

$$P_{eq} = P \times K$$

where P is the input power (in kW).

d - Refer to the selection table for 4-pole input speed, page 16; each case of the table gives for each gearbox size:

- η : efficiency,
- P_{nE} : maximum input power for $K = 1$ (duty factor = 1),
- M_{nS} : rated output torque for $K = 1$ (duty factor = 1),
- i : exact reduction.

e - Select the gearbox, in the table corresponding to the input speed N_E , which has an equal or higher torque than the selection torque M_S .

2 - verification of the maximum permissible torque M_{Max}

While applying with factor $K < 0.7$, check that the maximum permissible torque is not exceeded as given below.

$$M_{Max} \geq M_S$$

i_{aR}	Maximum permissible torque for Multibloc				
	Mb 26	Mb 25	Mb 24	Mb 23	Mb 22
5.2	-	-	-	360	-
7.3	1800	950	530	360	220
10	1800	950	560	360	220
11.5	-	-	-	350	200
15	1900	950	500	300	200
20	1400	950	500	320	200
25	1500	850	450	300	170
30	1400	900	450	300	170
40	1600	850	450	300	170
50	1500	800	400	300	150
60	1400	760	400	250	150
80	1500	800	400	250	150
100	1300	700	360	250	150

3 - Verification of the thermal power

For the operating factors $FM > 40\%$, according to the ambient temperature θ , check that the working input power for application P_{UE} for the selected gearbox is less than the rated thermal power P_t given below for N_E 1430 at an ambient temperature of 20°C. It is a function of the input power that heats the gearbox up to the maximum temperature acceptable by the seals (100°C in oil bath).

i_{aR}	Rated thermal power Multibloc				
	Mb 26	Mb 25	Mb 24	Mb 23	Mb 22
5.2	-	-	-	1.98	-
7.3	8.07	4.85	2.67	1.74	1.33
10	7.06	4.21	2.33	1.53	1.19
11.5	-	-	-	1.38	1.11
15	5.76	3.35	1.91	1.21	0.99
20	5.23	3.05	1.73	1.12	0.90
25	4.81	2.76	1.52	1.00	0.76
30	4.34	2.29	1.25	0.79	0.65
40	3.47	2.02	1.12	0.74	0.55
50	3.18	1.82	1.01	0.66	0.51
60	2.90	1.70	0.92	0.57	0.47
80	2.47	1.44	0.80	0.53	0.43
100	2.18	1.31	0.73	0.48	0.39

If this is not the case, then choose a larger-size gearbox.

$$P_{UE} \leq P_t$$

Refer to page 52 of the Electromechanical Manual reference 5181 for 2 and 6 pole N_E (or consult us).

4 - Radial and/or axial force check

For the gearboxes driving the load through other means than a semi-elastic coupling, check that the radial force F_R and/or the axial force F_A permissible on the output shaft of the gearbox is equal to or higher than that required for the application. Refer to the tables on pages 43 to 50 of the Electromechanical Manual reference 5181. If this is not the case, then restart the selection using a larger-size device.

5 - Operating positions

See pages 8 to 13.

6 - Choosing the options

Refer to the "Equipment and options" chapter for the choice of any standardised accessories (p. 75).

7 - Commissioning

For commissioning, storage and precautions for use, see page 81.

Example of selection

Motorisation of a belt conveyor:

- N_E : 1430 RPM,
- N_S : 135 RPM,
- M_S : 125 N.m

Operation: 16 hours/day (medium overloads) and 1 start per day.

Ambient temperature θ : 15°C.

Form: foot mounted.

Operating position: feet on floor, horizontal input shaft. Left, solid, output shaft. No radial or axial force.

1 - Selecting the gearbox

a - Calculation of the duty factor K used in the application:

$$K = K1 \times K2$$

$K1$ is a function of FJ and FM; in this case the type of operation is with medium overloads $FJ \leq 3$ with application class II.

$$K1 = 1.42$$

$$K2 = 1.25 \text{ (FM 100\%)}$$

$$K = 1.42 \times 1.25 = 1.77$$

b - Calculation of the reduction i :

$$i = N_E / N_S$$

$$i = 1450 / 135 = 10.53$$

c - Calculation of the output torque M_{eq} :

$$M_{eq} = M_S \times K$$

$$M_{eq} = 125 \times 1.77 = 221 \text{ N.m}$$

Refer to page 16 of the table corresponding to the input speed higher than or equal to N_E (4 p); select the gearbox that has a torque equal to or higher than the output torque M_S .

$$M_{nS} \geq M_{eq}$$

d - Type of gearbox selected:

2401: i

$$P_{nE} = 4.29 \text{ kW } \eta = 0.86$$

$$\text{i.e. } P_{UE} = M_{US} \times \eta_{US} / 9.55 \times \eta$$

$$\text{i.e. } P_{UE} = 2055 \text{ W} = 2.055 \text{ kW}$$

2 - Verification of the maximum torque

M_{Max} :

see table below.

$$M_{Max} \geq M_{eq} : 560 \text{ N.m} \geq 221 \text{ N.m}$$

3 - Verification of the thermal power P_t : (preceding §3)

$$P_t = 2.33 \times 1.15 = 2.68 \text{ kW}$$

$$\text{where } K\theta = 1.15 \text{ } P_{UE} = 2.055 \text{ kW}$$

$P_t > P_{UE}$: so the gearbox selected is suitable.

4 - Form and operating position, pages 8-9: NSD L B3

Designation:

Mb 2401 10.33 NSD HL B3 AP

exact i	η
kW	M_{nS}

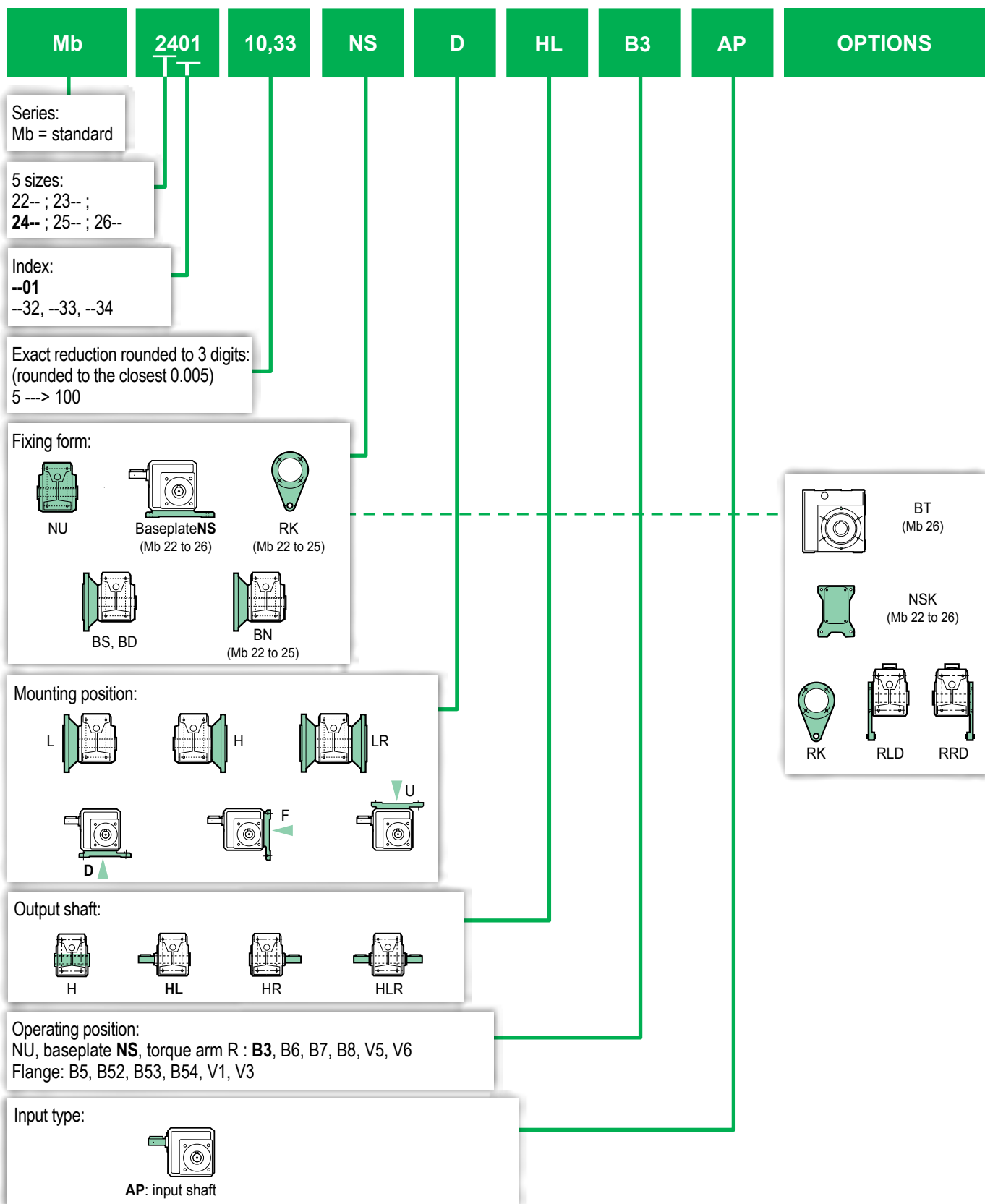
N_S RPM	i_{aR}	MULTIBLOC											
		3101		2201		2301		2401		2501		2601	
0	10.3	10.3	0.84	10.3	0.85	10.3	0.86	10.3	0.87	10.3	0.87	10.3	0.87
		1.75	102	2.83	166	4.29	255	8.51	511	15.2	909		
0	7.3	7.33	0.86	7.5	0.88	7.25	0.88	7.25	0.88	7.5	0.88	7.5	0.88
		2.31	97	3.80	167	5.50	235	11.2	476	18.6	821		

Geared motors with worm and wheel - IMfinity®

Multibloc

Multibloc: Mb/AP

Designation



Geared motors with worm and wheel - IMfinity®

Multibloc

Multibloc: Mb/AP

Selection

Mb AP - 1500 min⁻¹ - kp = 1*

Rated capacities

exact	η
kW	M_{nS}

N_S Min ⁻¹	i_{aR}	MULTIBLOC										
		4101, 3101**		2201		2301		2401		2501		2601
15.0	100		100	0.51	100	0.51	100	0.52	100	0.55	100	0.57
			0.30	102	0.50	170	0.71	247	1.24	455	2.21	841
18.8	80		80	0.55	80	0.55	80	0.57	80	0.60	80	0.62
			0.37	109	0.61	180	0.87	265	1.62	521	2.87	950
25.0	60		60	0.60	60	0.59	60	0.63	60	0.66	60	0.68
			0.41	99	0.70	164	1.01	256	1.84	486	3.32	905
30.0	50		50	0.61	50	0.64	50	0.66	50	0.69	50	0.72
			0.51	104	0.84	180	1.20	265	2.18	502	3.95	950
37.5	40		40	0.65	40	0.68	40	0.70	40	0.72	40	0.75
			0.60	104	1.02	186	1.47	275	2.69	518	4.89	980
50.0	30		30	0.71	30	0.70	30	0.74	30	0.76	30	0.80
			0.75	107	1.19	167	1.76	260	3.38	515	5.20	834
58.8	25.5		25.5	0.75	25.5	0.76	25.5	0.78	25.5	0.80	25.5	0.82
			0.77	99	1.28	166	1.86	247	3.51	478	6.55	915
75.0	20		20	0.79	20	0.79	19.5	0.80	20.5	0.82	20.5	0.83
			1.08	114	1.65	174	2.53	263	4.51	506	8.29	942
100	15		15	0.81	15	0.81	14.5	0.83	15.5	0.84	15.5	0.85
			1.34	109	1.87	152	3.08	247	5.66	492	10.7	942
130	11.5		11.5	0.84	11.5	0.84						
			1.71	110	2.77	179						
146	10.3		10.3	0.84	10.3	0.85	10.3	0.86	10.3	0.87	10.3	0.87
			1.75	102	2.83	166	4.29	255	8.51	511	15.2	909
205	7.3		7.33	0.86	7.5	0.88	7.25	0.88	7.25	0.88	7.5	0.88
			2.31	97	3.80	167	5.50	235	11.2	476	18.6	821
288	5.2				5.2	0.88						
					5.29	162						

*: check the duty factor of the application.

** : the Mb 4101 and Mb 3101 are designed with an integral input flange with tapped holes (FT85) which does not allow use of the "AP" version.

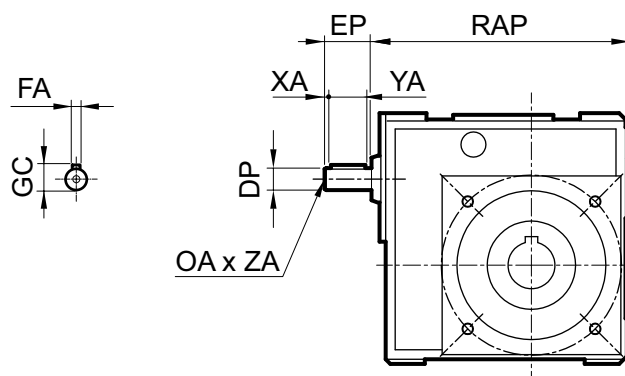
N_S : output speed

i_{aR} : reduction index

M_{nS} : rated output torque (N.m)

Dimensions of the input shaft AP

Dimensions in millimetres



Brake	AP								kg
	Ø DP	EP	FA	GC	OAxZA	RAP	XA	YA	
Mb 2601	28j6	60	8	31	M10x22	5	5	50	37
Mb 2501	24j6	50	8	27	M8x19	5	5	40	31
Mb 2401	19j6	40	6	21.5	M6x16	5	3	32	17.5
Mb 2301	14j6	30	5	16	M5x12.5	5	5	20	10.5
Mb 2201	14j6	30	5	16	M5x12.5	5	5	20	8
Mb 3101*	-	-	-	-	-	-	-	-	-
Mb 4101*	-	-	-	-	-	-	-	-	-

* : the Mb 4101 and Mb 3101 are designed with an integral input flange with tapped holes (FT85) which does not allow use of the "AP" version.

SELECTING A GEARED MOTOR

The following must be known:

- P_{uE} : working input power necessary for the application It will be calculated by taking an average gearbox efficiency of 80%.
- N_E and N_S : input and output speeds (in RPM) required for the application.
- h/d: operating time in hours per day.
- FM: operating factor (%)
- Z: number of starts per hour (d/h).
- The form: plain housing NU, baseplate NS, torque arm R, flanges BS, BD, BN, and the operating position, see pages 8 to 13.

1 - Choice of the type of motor or brake motor (pages 21 to 43)

2 - Selecting the geared motor

a - Calculation of the duty factor K required for the application; refer to page 41 of the Electromechanical Manual reference 5181. $K = K1 \times K2$

b - Refer to the selection tables for power higher than or equal to P_{uE} . The following selection tables on pages 21 to 43 are organised:

- by increasing powers for output speeds of 1 to more than 275 min⁻¹.

- by increasing Kp, by reduction index section.

c - Search in the table the required output speed N_S corresponding to the power.

d - Select the geared motor having the maximum possible duty factor, equal to or higher than that required for the application: $Kp \geq K$

e - Check the useful input power by taking the actual efficiency of the gearbox in the selection table.

Verify that this does not change the type of motor, if yes: repeat the selection with the new working input power; identify the type of (brake) motor corresponding to the selected useful power.

When using variable speed with separate drive, the input speed of the gearbox must not exceed 1500 min⁻¹; consult us.

3 - Verification of the permissible torque M_{Max}

While applying with factor $K < 0.8$, check that the maximum permissible torque is not exceeded as given below.

$$M_{Max} \geq M_S$$

i _{aR}	Maximum permissible torque for Multibloc					
	Mb 26	Mb 25	Mb 24	Mb 23	Mb 22	Mb 31
5.2	-	-	-	360	-	-
7.3	1800	950	530	360	220	150
10	1800	950	560	360	220	150
11.5	-	-	-	350	200	140
15	1900	950	500	300	200	140

20	1400	950	500	320	200	140
25	1500	850	450	300	170	110
30	1400	900	450	300	170	110
40	1600	850	450	300	170	110
50	1500	800	400	300	150	100
60	1400	760	400	250	150	100
80	1500	800	400	250	150	90
100	1300	700	360	250	150	90

4 - Verification of the thermal power

For the operating factors FM > 40%, according to the ambient temperature θ , check that the rated thermal power P_t of the selected gearbox is higher than the useful input thermal power P_{uE} given below for N_E 1430 at the ambient temperature of 20°C. It is a function of the input power that heats the gearbox up to the maximum temperature acceptable by the seals (100°C in oil bath).

i _{aR}	Rated thermal power Multibloc					
	Mb 26	Mb 25	Mb 24	Mb 23	Mb 22	Mb 31
5.2	-	-	-	1.98	-	-
7.3	8.07	4.85	2.67	1.74	1.33	1.46
10	7.06	4.21	2.33	1.53	1.19	1.22
11.5	-	-	-	1.38	1.11	1.05
15	5.76	3.35	1.91	1.21	0.99	0.92
20	5.23	3.05	1.73	1.12	0.90	0.82
25	4.81	2.76	1.52	1.00	0.76	0.70
30	4.34	2.29	1.25	0.79	0.65	0.57
40	3.47	2.02	1.12	0.74	0.55	0.48
50	3.18	1.82	1.01	0.66	0.51	0.44
60	2.90	1.70	0.92	0.57	0.47	0.40
80	2.47	1.44	0.80	0.53	0.43	0.35
100	2.18	1.31	0.73	0.48	0.39	0.32

If this is not the case, then choose a larger-size gearbox. $P_{uE} \leq P_t$

Refer to page 52 of the Electromechanical Manual reference 5181 for 2 and 6 pole N_E (or consult us).

5 - Radial and/or axial force check

For the gearboxes driving the load through other means than a semi-elastic coupling, check that the radial force F_R and/or the axial force F_A permissible on the output shaft of the gearbox is equal to or higher than that required for the application. By direct reading in the tables on pages 21 to 43 for the standard output shafts HL or HR. If this is not the case, refer to the tables on pages 45 to 50 of the Electromechanical Manual reference 5181; if required, restart the selection using a larger unit.

6 - Operating positions

See pages 9, 11, 13.

7 - Choosing the options

Refer to the "Equipment and options" chapter for the choice of any standardised accessories (p. 75).

8 - Commissioning

For commissioning, storage and precautions for use, see page 81.

Example of selection

Hollow shaft drive of a conveyor:

- P_{uE} : 0.77 kW,

- η : 0.8

- N_S : 34 min⁻¹,

Operation: 8 hours/day (medium overloads) and 200 starts per hour, FM 45%.

Moment of inertia of the motor load:

$$J_{c/m} = 0.0226 \text{ kg.m}^2$$

Ambient temperature θ : 30°C.

BS standard flange form

Operating position: vertical shaft, flange on the left on the floor, brake motor.

1 - Choice of the brake motor type:

$$P \geq P_{uE}, \text{ i.e. } P = 0.9 \text{ kW}$$

non-IE FFB type brake motor

2 - Selecting the geared motor:

a - Calculation of the duty factor K used in the application:

$$FJ = J_{c/m} / J_m = 0.0226 / 0.00266 = 8.50, \text{ i.e. application class III}$$

$K1 = 1.28$ (class III, 200 starts/hour, 8 hours/day)

$K2 = 0.95$ (FM 45%)

$K = K1 \times K2$

$$K = 1.28 \times 0.95 = 1.22$$

b - Search in the selection tables on page 32, 33: 0.9 kW > P_{uE}

c - Search the output speed N_S of the geared motor closest to 34 min⁻¹: 36.3 min⁻¹ is suitable.

d - Duty factor $Kp > 1.22$: 1.74 is suitable.

e - The actual efficiency of the selected gearbox is 0.69. Thus the working input power is actually:

$$0.77 \times 0.8 / 0.69 = 0.89 \text{ kW}$$

The 0.9 kW motor is suitable

f - The selected gearbox type page 33 Mb 2401:

$$i = 40$$

$$M = 156 \text{ N.m}$$

$$Kp = 1.74$$

$$F_R \text{ at EB/2} = 6420 \text{ N}$$

(extract in next page)

3 - Verification of the maximum torque

M_{Max} :

not necessary because $K = 1.22$.

4 - Verification of the thermal power P_t : see §4 opposite (or page 52 of the Electromechanical Manual reference 5181)

$$P_t = 1.12 \times 0.85 \text{ with } K\theta = 0.85 \text{ (for } 30^\circ\text{C ambient)}$$

$$P_t = 0.95 \text{ kW}$$

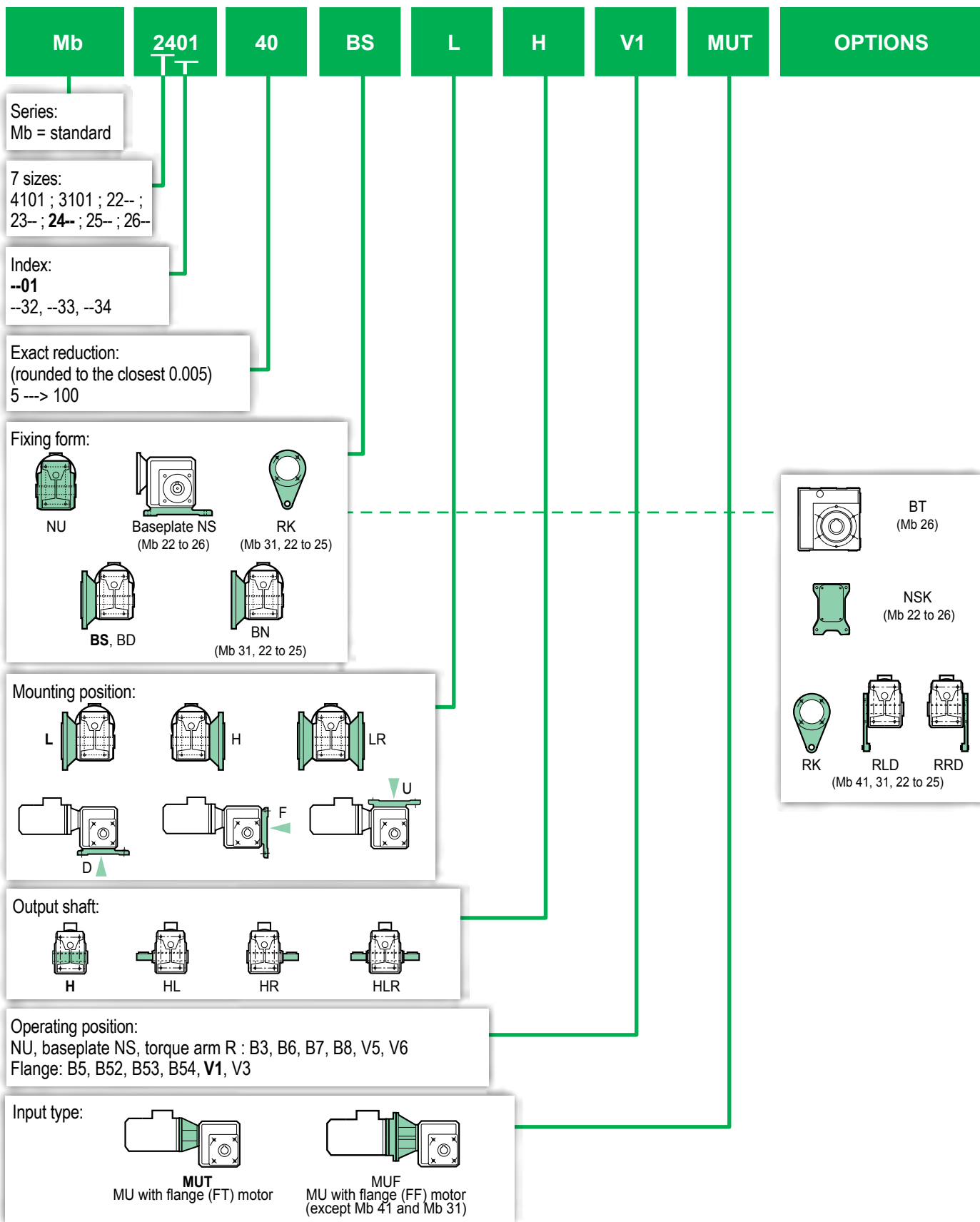
$P_{uE} \leq P_t$, so the selected gearbox is suitable.

5 - Verification of radial forces F_R and/or axial forces F_A if necessary

6- Form and operating position, pages 10-11 : BSL H V1

a - Terminal box position UP-270 (non-std)

b - gearbox input type, page 74: flange type B14 IEC std FT = 100 ba 19 x 40 Dimensions p.53



Geared motors with worm and wheel - IMfinity®

Multibloc

Selection tables

Multibloc: Mb / LS, LSES motors - 4 poles

LS ¹ 1500 min ⁻¹ - 50 Hz		Mb - Gearbox						
N _S (min ⁻¹)	K _p	Mb / MUT	i	η	M _S (Nm)	F _R E/2 (N)	Dim. MI-MU <—> H page	Dim. MI-MU <—> HL - HR page
0.06 kW - 50 Hz		Mono LS 56 M-P - Tri LS 56 M Mono LS 56 M-P FMD - Tri LS 56 M FMD						
13.6	2.37	4101	100	0.44	12	3010	45	59
17.0	3.02	4101	80	0.48	11	2750	45	59
22.7	3.95	4101	60	0.54	9.3	2435	45	59
27.2	5	4101	50	0.57	8.1	2215	45	59
34.0	6	4101	40	0.61	7.0	2040	45	59
45.3	8	4101	30	0.65	5.6	1780	45	59
54.5	8	4101	25	0.70	5.0	1710	45	59
68.0	10	4101	20	0.72	4.1	1545	45	59
90.7	13	4101	15	0.75	3.2	1345	45	59
136	18	4101	10	0.79	2.3	1090	45	59
181	24	4101	7.5	0.81	1.7	985	45	59
272	30	4101	5	0.82	1.2	890	45	59

1. Motor not concerned by the IE

LS ¹ 1500 min ⁻¹ - 50 Hz		Mb - Gearbox						
N _S (min ⁻¹)	K _p	Mb / MUT	i	η	M _S (Nm)	F _R E/2 (N)	Dim. MI-MU <—> H page	Dim. MI-MU <—> HL - HR page
0.09 kW - 50 Hz		Mono LS 63 M-P - Tri LS 56 M Mono LS 63 M-P FMD - Tri LS 56 M FMD						
14.0	1.39	4101	100	0.44	21	3010	45	59
17.5	1.77	4101	80	0.49	19	2750	45	59
23.3	2.32	4101	60	0.54	16	2435	45	59
28.0	2.86	4101	50	0.57	14	2215	45	59
35.0	3.51	4101	40	0.61	12	2040	45	59
46.7	5	4101	30	0.65	9.5	1780	45	59
56.0	5	4101	25	0.70	8.4	1710	45	59
70.0	6	4101	20	0.72	7.0	1545	45	59
93.3	7	4101	15	0.75	5.5	1345	45	59
140	11	4101	10	0.79	3.8	1090	45	59
187	14	4101	7.5	0.81	2.9	985	45	59
280	18	4101	5	0.82	1.9	890	45	59

1. Motor not concerned by the IE

Geared motors with worm and wheel - IMfinity®

Multibloc

Selection tables

Multibloc: Mb / LS, LSES motors - 4 poles

LS ¹ 1500 min ⁻¹ - 50 Hz		Mb - Gearbox						
N _S (min ⁻¹)	K _p	Mb / MUT	i	η	M _S (Nm)	F _R E/2 (N)	Dim. MI-MU <—> H page	Dim. MI-MU <—> HL - HR page
0.12 kW - 50 Hz		Mono LS 63 M-P - Tri LS 63 M Mono LS 63 M-P FMD - Tri LS 63 M FMD						
13.8	0.97	4101	100	0.44	31	3010	45	59
17.3	1.23	4101	80	0.48	27	2750	45	59
23.0	1.61	4101	60	0.54	23	2435	45	59
27.6	1.98	4101	50	0.57	20	2215	45	59
34.5	2.44	4101	40	0.61	17	2040	45	59
46.0	3.35	4101	30	0.65	14	1780	45	59
55.2	3.20	4101	25	0.70	12	1710	45	59
69.0	3.94	4101	20	0.72	10	1545	45	59
92.0	5	4101	15	0.75	7.9	1345	45	59
138	7	4101	10	0.79	5.5	1090	45	59
184	10	4101	7.5	0.81	4.2	985	45	59
276	12	4101	5	0.82	2.9	890	45	59

1. Motor not concerned by the IE

LS ¹ 1500 min ⁻¹ - 50 Hz		Mb - Gearbox						
N _S (min ⁻¹)	K _p	Mb / MUT	i	η	M _S (Nm)	F _R E/2 (N)	Dim. MI-MU <—> H page	Dim. MI-MU <—> HL - HR page
0.18 kW - 50 Hz		Mono LS 71 L-P - Tri LS 63 M Mono LS 71 L-P FMD - Tri LS 63 M FMD						
23.2	1.02	4101	60	0.54	36	2435	45	59
27.8	1.25	4101	50	0.57	32	2215	45	59
34.8	1.54	4101	40	0.67	27	2040	45	59
46.3	2.11	4101	30	0.65	22	1780	45	59
55.6	2.02	4101	25	0.70	19	1710	45	59
69.5	2.49	4101	20	0.72	16	1545	45	59
92.7	3.27	4101	15	0.75	13	1345	45	59
139	5	4101	10	0.79	8.8	1090	45	59
185	6	4101	7.5	0.81	6.7	985	45	59
278	8	4101	5	0.82	4.6	890	45	59

1. Motor not concerned by the IE

Geared motors with worm and wheel - IMfinity®

Multibloc

Selection tables

Multibloc: Mb / LS, LSES motors - 4 poles

LS [†] 1500 min ⁻¹ - 50 Hz		Mb - Gearbox						
N _S (min ⁻¹)	K _p	Mb	i	η	M _S (Nm)	F _R E/2 (N)	Dim. MI-MU <—> H page	Dim. MI-MU <—> HL - HR page
0.25 kW - 50 Hz		Mono LS 71 L-P* - Tri LS 71 M						
		Mono LS 71 L-P FMD* - Tri LS 71 M FMD* - Tri LS 71 M FFB1*						
1.00	2.23	2634	1420	0.51	1149	28750	73	-
1.01	1.25	2534	1410	0.48	1080	11640	73	-
1.11	2.12	2634	1280	0.62	1250	28500	73	-
1.14	1.28	2534	1250	0.58	1156	11950	73	-
1.25	1.37	2534	1140	0.59	1053	12100	73	-
1.30	2.35	2634	1100	0.62	1079	28300	73	-
1.38	2.62	2634	1030	0.64	1041	28000	73	-
1.41	1.47	2534	1010	0.61	976	12500	73	-
1.61	0.85	2433	885	0.61	852	6700	73	-
1.56	1.57	2534	913	0.62	889	13000	73	-
1.62	2.91	2634	881	0.65	899	27590	73	-
1.81	0.92	2433	786	0.61	762	6980	73	-
1.83	1.76	2534	779	0.60	738	13680	73	-
1.84	2.98	2634	773	0.64	775	27780	73	-
2.17	1.02	2433	658	0.63	658	7240	73	-
2.05	1.90	2534	695	0.60	662	15360	73	-
2.08	3.23	2634	687	0.64	694	26510	73	-
2.44	1.11	2433	585	0.64	588	7680	73	-
2.28	2.03	2534	626	0.63	622	16040	73	-
2.29	3.69	2634	621	0.66	645	26010	73	-
2.75	1.21	2433	518	0.64	524	8150	73	-
2.55	2.19	2534	559	0.63	558	16500	73	-
2.58	4	2634	552	0.66	577	25100	73	-
2.92	0.80	2333	487	0.62	479	1050	73	-
3.03	1.29	2433	471	0.64	479	8670	73	-
2.77	2.32	2534	515	0.61	500	16620	73	-
3.04	0.91	2333	469	0.68	506	1070	73	-
3.04	1.37	2433	469	0.69	513	8960	73	-
3.29	2.61	2534	434	0.62	426	17990	73	-
3.42	0.98	2333	417	0.69	452	1080	73	-
3.42	1.48	2433	417	0.70	458	8640	73	-
3.49	2.71	2534	409	0.62	403	17970	73	-
3.86	1.07	2333	369	0.69	402	1100	73	-
3.86	1.61	2433	369	0.70	408	9800	73	-
3.77	2.92	2534	378	0.66	394	17490	73	-
4.25	1.14	2333	336	0.69	367	1130	73	-
4.25	1.72	2433	336	0.70	372	8360	73	-
4.56	3.08	2532	313	0.54	267	17520	73	-
4.78	1.24	2333	298	0.69	327	1160	73	-
4.78	1.87	2433	298	0.70	332	7330	73	-
5.01	3.26	2532	285	0.55	246	16960	73	-
5.39	0.82	2233	264	0.70	291	1650	73	-
5.39	1.35	2333	264	0.70	292	1260	73	-
5.39	2.03	2433	264	0.71	296	9940	73	-
5.70	3.71	2532	250	0.58	228	16370	73	-
6.06	0.89	2233	235	0.70	260	1730	73	-
6.06	1.46	2333	235	0.70	261	3740	73	-
6.06	2.20	2433	235	0.71	264	10300	73	-
6.26	3.94	2532	228	0.58	210	15810	73	-

1. Motor not concerned by the IE Mb 4101, Mb 3101 MUT : FT85 ba 14x30 mandatory; Mb 2401 MUF : FF130 ba 14x30 mandatory

* FMD mono and brake motors for Mb 4101 only; FFB brake for Mb 3101 and Mb 22 to 26--.

Geared motors with worm and wheel - IMfinity®

Multibloc

Selection tables

Multibloc: Mb / LS, LSES motors - 4 poles

LS [†] 1500 min ⁻¹ - 50 Hz		Mb - Gearbox						
N _S (min ⁻¹)	K _p	Mb	i	η	M _S (Nm)	F _R E/2 (N)	Dim. MI-MU <—> H page	Dim. MI-MU <—> HL - HR page
0.25 kW - 50 Hz		Mono LS 71 L-P* - Tri LS 71 M						
		Mono LS 71 L-P FMD* - Tri LS 71 M FMD* - Tri LS 71 M FFB1*						
6.81	0.97	2233	209	0.70	232	1800	73	-
6.81	1.58	2333	209	0.70	233	5210	73	-
6.81	2.39	2433	209	0.71	236	9350	73	-
7.25	4	2532	197	0.59	184	14125	73	-
7.63	1.05	2233	187	0.71	208	1950	73	-
7.63	1.71	2333	187	0.71	209	5220	73	-
7.63	2.58	2433	187	0.72	212	9600	73	-
8.98	1.17	2233	159	0.71	178	2220	73	-
8.98	1.91	2333	159	0.71	179	5230	73	-
8.98	2.89	2433	159	0.72	181	11050	73	-
9.69	1.23	2233	147	0.71	166	1590	73	-
9.69	2.01	2333	147	0.72	166	6600	73	-
9.69	3.04	2433	147	0.73	169	10300	73	-
11.3	1.37	2233	126	0.72	143	3730	73	-
11.3	2.23	2333	126	0.72	144	6330	73	-
11.3	3.37	2433	126	0.73	146	10200	73	-
12.6	1.48	2233	113	0.72	129	3830	73	-
12.6	2.41	2333	113	0.72	129	6730	73	-
12.6	3.65	2433	113	0.73	131	10100	73	-
14.3	1.35	2201	100	0.50	75	4840	49	63
14.3	2.35	2301	100	0.50	72	7230	51	65
14.3	3.43	2401 MUF	100	0.52	72	9600	53	67
16.1	1.74	2233	88.8	0.73	102	4230	73	-
16.1	2.84	2333	88.8	0.73	103	6800	73	-
16.1	4	2433	88.8	0.74	104	10000	73	-
17.8	0.91	3101 MUT	80	0.52	65	2600	47	61
17.8	1.67	2201	80	0.55	65	4980	49	63
17.8	2.67	2301	80	0.55	63	6750	51	65
17.8	4	2401	80	0.56	62	8437	53	67
18.7	1.93	2233	76.3	0.73	89	4690	73	-
18.7	3.15	2333	76.3	0.74	89	6380	73	-
18.7	5	2433	76.3	0.75	90	9900	73	-
23.8	1.15	3101 MUT	60	0.58	54	2700	47	61
23.8	1.89	2201	60	0.59	53	4910	49	63
23.8	3.29	2301	60	0.58	50	6190	51	65
23.8	5	2401 MUF	60	0.62	51	7737	53	67
28.5	0.89	4101 MUT	50	0.57	44	2215	45	59
28.5	1.40	3101 MUT	50	0.61	47	2400	47	61
28.5	2.27	2201	50	0.62	46	4680	49	63
28.5	3.95	2301	50	0.64	45	5840	51	65
35.6	1.09	4101 MUT	40	0.61	38	2040	45	59
35.6	1.94	3101 MUT	40	0.64	40	2200	47	61
35.6	2.69	2201	40	0.65	38	4390	49	63
35.6	5	2301	40	0.68	39	5488	51	65
28.5	1.50	4101 MUT	30	0.65	30	1780	45	59
47.5	2.33	3101 MUT	30	0.69	32	2100	47	61
47.5	3.39	2201	30	0.70	31	4020	49	63
47.5	6	2301	30	0.70	30	5025	51	65

1. Motor not concerned by the IE Mb 4101, Mb 3101 MUT : FT85 ba 14x30 mandatory; Mb 2401 MUF : FF130 ba 14x30 mandatory

* FMD mono and brake motors for Mb 4101 only; FFB brake for Mb 3101 and Mb 22 to 26--.

Geared motors with worm and wheel - IMfinity®

Multibloc

Selection tables

Multibloc: Mb / LS, LSES motors - 4 poles

LS ¹ 1500 min ⁻¹ - 50 Hz		Mb - Gearbox						
N _S (min ⁻¹)	K _p	Mb	i	η	M _S (Nm)	F _R E/2 (N)	Dim. MI-MU <—> H page	Dim. MI-MU <—> HL - HR page
0.25 kW - 50 Hz		Mono LS 71 L-P* - Tri LS 71 M						
		Mono LS 71 L-P FMD* - Tri LS 71 M FMD* - Tri LS 71 M FFB1*						
57.0	1.43	4101 MUT	25	0.70	27	1710	45	59
57.0	2.16	3101 MUT	25	0.74	29	2000	47	61
55.9	3.45	2201	25.5	0.75	28	3820	49	63
55.9	6	2301	25.5	0.76	28	4775	51	65
71.3	1.77	4101 MUT	20	0.73	22	1545	45	59
71.3	2.85	3101 MUT	20	0.77	24	1890	47	61
71.3	5	2201	20	0.79	23	3550	49	63
71.3	8	2301	20	0.79	22	4438	51	65
95.0	2.32	4101 MUT	15	0.75	18	1345	45	59
95.0	3.85	3101 MUT	15	0.79	18	1770	47	61
95.0	6	2201	15	0.80	18	3260	49	63
95.0	9	2301	15	0.80	17	4075	51	65
114	4	3101 MUT	12.5	0.81	16	1680	47	61
124	8	2201	11.5	0.83	14	3000	49	63
124	13	2301	11.5	0.83	14	3750	51	65
143	3.31	4101 MUT	10	0.79	12	1090	45	59
143	5	3101 MUT	10	0.83	13	1580	47	61
138	8	2201	10.3	0.84	13	2900	49	63
138	13	2301	10.3	0.84	12	3625	51	65
190	4	4101 MUT	7.5	0.81	9.4	985	45	59
190	7	3101 MUT	7.5	0.85	10	1450	47	61
194	11	2201	7.33	0.85	9.3	2652	49	63
190	18	2301	1.5	0.86	9.2	3315	51	65
285	5	4101 MUT	5	0.82	6.4	890	45	59
274	25	2301	5.2	0.88	6.5	2970	51	65

1. Motor not concerned by the IE Mb 4101, Mb 3101 MUT : FT85 ba 14x30 mandatory; Mb 2401 MUF : FF130 ba 14x30 mandatory

*FMD mono and brake motors for Mb 4101 only; FFB brake for Mb 3101 and Mb 22 to 26--.

Geared motors with worm and wheel - IMfinity®

Multibloc

Selection tables

Multibloc: Mb / LS, LSES motors - 4 poles

LS ¹ 1500 min ⁻¹ - 50 Hz		Mb - Gearbox						
N _S (min ⁻¹)	K _p	Mb	i	η	M _S (Nm)	F _R E/2 (N)	Dim. MI-MU <— H —> page	Dim. MI-MU <— HL — HR —> page
0.37 kW - 50 Hz		<i>Mono LS 71 L-P* - Tri LS 71 M</i>						
		<i>Mono LS 71 L-P FMD* - Tri LS 71 M FMD* - Tri LS 71 M FFB1*</i>						
1.00	0.83	2534	1410	0.48	1635	9520	73	-
1.00	1.47	2634	1420	0.51	1740	25540	73	-
1.13	0.84	2534	1250	0.58	1751	9602	73	-
1.11	1.40	2634	1280	0.62	1893	25230	73	-
1.25	0.90	2534	1140	0.59	1594	9730	73	-
1.30	1.56	2634	1100	0.62	1634	24960	73	-
1.41	0.97	2534	1010	0.61	1478	9850	73	-
1.38	1.73	2634	1030	0.64	1577	24640	73	-
1.56	1.04	2534	913	0.62	1346	10025	73	-
1.61	1.92	2634	881	0.65	1361	24150	73	-
1.82	1.16	2534	779	0.60	1117	10640	73	-
1.84	1.97	2634	773	0.63	1174	23620	73	-
2.04	1.26	2534	695	0.60	1003	13570	73	-
2.07	2.13	2634	687	0.64	1050	24660	73	-
2.27	1.34	2534	626	0.63	941	14130	73	-
2.29	2.44	2634	621	0.66	977	24260	73	-
2.74	0.80	2433	518	0.64	794	7650	73	-
2.54	1.45	2534	559	0.63	845	14770	73	-
2.57	2.64	2634	552	0.66	874	23600	73	-
3.01	0.85	2433	471	0.64	725	7890	73	-
2.76	1.54	2534	515	0.61	757	15030	73	-
2.90	2.68	2634	489	0.65	763	23050	73	-
3.03	0.90	2433	469	0.69	777	7430	73	-
3.27	1.72	2534	434	0.62	644	16730	73	-
3.29	2.91	2634	431	0.66	678	22480	73	-
3.41	0.98	2433	417	0.70	693	8150	73	-
3.47	1.79	2534	409	0.62	610	16830	73	-
3.52	3.04	2634	403	0.66	637	21890	73	-
3.85	1.07	2433	369	0.70	617	8240	73	-
3.75	1.93	2534	378	0.66	597	16420	73	-
3.79	3.63	2634	375	0.69	619	21000	73	-
4.23	1.14	2433	336	0.70	563	5330	73	-
4.54	2.03	2532	313	0.54	405	16830	73	-
4.50	3.63	2632	315	0.57	430	20240	73	-
4.76	0.82	2333	298	0.69	495	1050	73	-
4.76	1.24	2433	298	0.70	502	5950	73	-
4.99	2.15	2532	285	0.55	372	16340	73	-
4.97	3.87	2632	286	0.58	394	20170	73	-
5.37	0.89	2333	264	0.70	442	1160	73	-
5.37	1.34	2433	264	0.71	448	6410	73	-
5.68	2.46	2532	250	0.58	345	15780	73	-
5.63	4	2632	252	0.60	361	19800	73	-
6.04	0.96	2333	235	0.70	395	2650	73	-
6.04	1.45	2433	235	0.71	400	7580	73	-
6.24	2.61	2532	228	0.58	317	15310	73	-
6.21	5	2632	229	0.60	330	19750	73	-
6.79	1.05	2333	209	0.70	353	3690	73	-
6.79	1.58	2433	209	0.71	358	8680	73	-
7.22	2.86	2532	197	0.59	278	15240	73	-
7.28	5	2632	195	0.61	286	19530	73	-
7.61	1.13	2333	187	0.71	316	4460	73	-
7.61	1.71	2433	187	0.72	321	8890	73	-
8.26	2.94	2532	172	0.58	238	14950	73	-
8.28	5.31	2632	171	0.61	250	19220	73	-
8.95	1.26	2333	159	0.71	271	4320	73	-
8.95	1.91	2433	159	0.72	275	9960	73	-
9.04	3.29	2532	157	0.60	228	13860	73	-
9.11	6	2632	156	0.63	234	18980	73	-
9.65	0.81	2233	147	0.71	251	1210	73	-
9.65	1.33	2333	147	0.72	252	4410	73	-
9.65	2.01	2433	147	0.73	255	9770	73	-
10.3	3.58	2532	138	0.61	202	13470	73	-

1. Motor not concerned by the IE Mb 4101, Mb 3101 MUT : FT85 ba 14x30 mandatory; Mb 2401 MUF : FF130 ba 14x30 mandatory

* FMD mono and brake motors for Mb 4101 only; FFB brake for Mb 3101 and Mb 22 to 26--.

Geared motors with worm and wheel - IMfinity®

Multibloc

Selection tables

Multibloc: Mb / LS, LSES motors - 4 poles

LS ¹ 1500 min ⁻¹ - 50 Hz		Mb - Gearbox						
N _S (min ⁻¹)	K _p	Mb	i	η	M _S (Nm)	F _R E/2 (N)	Dim. MI-MU <—> H page	Dim. MI-MU <—> HL - HR page
0.37 kW - 50 Hz								
<i>Mono LS 71 L-P* - Tri LS 71 M</i>								
<i>Mono LS 71 L-P FMD* - Tri LS 71 M FMD* - Tri LS 71 M FFB1*</i>								
11.2	0.90	2233	126	0.72	217	2220	73	-
11.2	1.48	2333	126	0.72	218	5460	73	-
11.2	2.23	2433	126	0.73	221	9650	73	-
10.9	3.70	2532	130	0.62	192	12500	73	-
12.6	0.98	2233	113	0.72	195	2450	73	-
12.6	1.60	2333	113	0.72	196	5950	73	-
12.6	2.41	2433	113	0.73	198	9630	73	-
12.1	4	2532	118	0.64	182	11800	73	-
14.2	0.87	2201	100	0.50	115	4010	49	63
14.2	1.50	2301	100	0.50	113	6950	51	65
14.2	2.16	2401 MUF	100	0.52	114	9350	53	67
16.0	1.15	2233	88.8	0.73	155	1980	73	-
16.0	1.88	2333	88.8	0.73	156	6400	73	-
16.0	2.84	2433	88.8	0.74	158	8790	73	-
16.2	4.85	2532	87.7	0.71	149	10200	73	-
17.8	1.08	2201	80	0.55	101	4410	49	63
17.8	1.70	2301	80	0.55	98	6510	51	65
17.8	2.67	2401 MUF	80	0.56	99	8730	53	67
18.6	1.28	2233	76.3	0.73	134	3670	73	-
18.6	2.08	2333	76.3	0.74	135	6060	73	-
18.6	3.15	2433	76.3	0.75	136	8230	73	-
23.7	1.22	2201	60	0.59	81	4660	49	63
23.7	2.10	2301	60	0.58	78	5990	51	65
23.7	3.09	2401 MUF	60	0.62	81	7800	53	67
28.4	0.92	3101 MUT	50	0.61	72	2160	47	61
28.4	1.47	2201	50	0.62	71	4480	49	63
28.4	2.52	2301	50	0.64	71	5670	51	65
28.4	3.67	2401	50	0.65	72	7550	53	67
35.5	1.28	3101 MUT	40	0.64	61	2070	47	61
35.5	1.74	2201	40	0.65	59	4220	49	63
35.5	3.08	2301	40	0.68	61	4310	51	65
35.5	5	2401 MUF	40	0.69	60	6637	53	67
47.3	0.99	4101 MUT	30	0.65	46	1780	45	59
47.3	1.53	3101 MUT	30	0.69	49	1980	47	61
47.3	2.19	2201	30	0.70	48	3880	49	63
47.3	3.64	2301	30	0.70	47	4880	51	65
47.3	5	2401 MUF	30	0.72	47	6100	53	67
56.8	0.94	4101 MUT	25	0.70	41	1710	45	59
56.8	1.42	3101 MUT	25	0.74	44	1850	47	61
55.7	2.23	2201	25.5	0.75	44	3700	49	63
55.7	3.83	2301	25.5	0.76	43	4640	51	65
55.7	6	2401 MUF	25.5	0.77	43	5800	53	67
71.0	1.16	4101 MUT	20	0.73	34	1545	45	59
71.0	1.87	3101 MUT	20	0.77	36	1770	47	61
71.0	3.14	2201	20	0.79	36	3450	49	63
71.0	5	2301	20	0.79	35	4312	51	65
94.7	1.52	4101 MUT	15	0.75	27	1345	45	59
94.7	2.53	3101 MUT	15	0.79	28	1660	47	61
94.7	3.91	2201	15	0.80	28	3180	49	63
94.7	6	2301	15	0.80	27	3975	51	65
114	2.83	3101 MUT	12.5	0.81	24	1600	47	61
123	5	2201	11.5	0.83	22	2940	49	63
123	8	2301	11.5	0.83	21	3780	51	65
142	2.17	4101 MUT	10	0.79	19	1090	45	59
142	3.45	3101 MUT	10	0.83	20	1510	47	61
137	5	2201	10.3	0.84	20	2850	49	63
137	8	2301	10.3	0.84	20	3562	51	65
189	2.84	4101 MUT	7.5	0.81	14	985	45	59
189	4	3101 MUT	7.5	0.85	15	1380	47	61
194	7	2201	7.33	0.85	14	2570	49	63
189	12	2301	7.5	0.86	14	3212	51	65
284	3.58	4101 MUT	5	0.82	9.7	1345	45	59
273	16	2301	5.2	0.88	10	2910	51	65

1. Motor not concerned by the IE Mb 4101, Mb 3101 MUT : FT85 ba 14x30 mandatory; Mb 2401 MUF : FF130 ba 14x30 mandatory
* FMD mono and brake motors for Mb 4101 only; FFB brake for Mb 3101 and Mb 22 to 26--.

Geared motors with worm and wheel - IMfinity®

Multibloc

Selection tables

Multibloc: Mb / LS, LSES motors - 4 poles

LS [†] 1500 min ⁻¹ - 50 Hz		Mb - Gearbox						
N _S (min ⁻¹)	K _p	Mb	i	η	M _S (Nm)	F _R E/2 (N)	Dim. MI-MU <—> H page	Dim. MI-MU <—> HL - HR page
0.55 kW - 50 Hz		LS 71 L						
		<i>Tri LS 71 L FMD* - LS 71 L FFB1*</i>						
0.99	0.97	2634	1420	0.51	2655	22860	73	-
1.09	0.92	2634	1280	0.62	2890	22780	73	-
1.28	1.02	2634	1100	0.62	2495	22650	73	-
1.36	1.14	2634	1030	0.64	2407	22560	73	-
1.59	1.27	2634	881	0.64	2077	22450	73	-
1.81	1.30	2634	773	0.63	1792	22150	73	-
2.01	0.83	2534	695	0.60	1531	11780	73	-
2.04	1.40	2634	687	0.64	1604	22780	73	-
2.24	0.88	2534	626	0.63	1437	12230	73	-
2.25	1.60	2634	621	0.66	1491	22700	73	-
2.51	0.95	2534	559	0.63	1289	13050	73	-
2.54	1.74	2634	552	0.66	1334	22090	73	-
2.72	1.01	2534	515	0.61	1155	13450	73	-
2.86	1.76	2634	489	0.65	1165	21050	73	-
3.23	1.13	2534	434	0.62	984	15460	73	-
3.25	1.92	2634	431	0.66	1035	20720	73	-
3.43	1.18	2534	409	0.62	930	15680	73	-
3.47	2.00	2634	403	0.66	973	20290	73	-
3.70	1.27	2534	378	0.66	911	15350	73	-
3.73	2.39	2634	375	0.69	945	19580	73	-
4.48	1.34	2532	313	0.54	617	15810	73	-
4.44	2.39	2632	315	0.57	656	18920	73	-
4.92	1.42	2532	285	0.55	568	15450	73	-
4.90	2.55	2632	286	0.58	601	19280	73	-
5.29	0.88	2433	264	0.71	684	5150	73	-
5.60	1.62	2532	250	0.58	527	14910	73	-
5.55	2.93	2632	252	0.60	551	19020	73	-
5.95	0.96	2433	235	0.71	611	6420	73	-
6.15	1.72	2532	228	0.58	484	14550	73	-
6.12	3.12	2632	229	0.60	504	18190	73	-
6.69	1.04	2433	209	0.71	546	8010	73	-
7.12	1.88	2532	197	0.59	424	14400	73	-
7.18	3.45	2632	195	0.61	437	18160	73	-
7.50	1.12	2433	187	0.72	490	8180	73	-
8.15	1.94	2532	172	0.58	363	14190	73	-
8.17	3.50	2632	171	0.61	381	17500	73	-
8.82	0.83	2333	159	0.71	414	3150	73	-
8.82	1.26	2433	159	0.72	419	8880	73	-
8.91	2.16	2532	157	0.60	347	13130	73	-
8.99	3.97	2632	156	0.63	357	16880	73	-
9.52	0.88	2333	147	0.72	385	3820	73	-
9.52	1.32	2433	147	0.72	390	8250	73	-
10.2	2.36	2532	138	0.61	308	12910	73	-
10.2	4	2632	137	0.63	318	16200	73	-
11.1	0.97	2333	126	0.72	333	4840	73	-
11.1	1.47	2433	126	0.73	337	9110	73	-
10.8	2.44	2532	130	0.62	293	12080	73	-
12.4	1.05	2333	113	0.72	299	5210	73	-
12.4	1.59	2433	113	0.73	303	9170	73	-
11.9	2.66	2532	118	0.64	278	12320	73	-
14.0	0.96	2301	100	0.50	176	6370	51	65
14.0	1.38	2401 MUF	100	0.52	180	9000	53	67
14.1	2.49	2501 **	100	0.55	184	12050	55	69

1. Motor not concerned by the IE Mb 4101, Mb 3101 MUT : FT85 ba 14x30 mandatory; Mb 2401 MUF : FF130 ba 14x30 mandatory

* FMD Tri and brake motors for Mb 4101 only; FFB brake for Mb 3101 and Mb 22 to 26--.

** Mb 2501 with motor LS 80 L IFT/NIE, LS 80 L FFB1 IFT/NIE : IEC mandatory.

Geared motors with worm and wheel - IMfinity®

Multibloc

Selection tables

Multibloc: Mb / LS, LSES motors - 4 poles

LS [†] 1500 min ⁻¹ - 50 Hz		Mb - Gearbox						
N _S (min ⁻¹)	K _p	Mb	i	η	M _S (Nm)	F _R E/2 (N)	Dim. MI-MU <—> H page	Dim. MI-MU <—> HL - HR page
0.55 kW - 50 Hz		LS 71 L						
		<i>Tri LS 71 L FMD* - LS 71 L FFB1*</i>						
15.8	1.24	2333	88.8	0.73	238	4460	73	-
15.8	1.87	2433	88.8	0.74	241	8280	73	-
16.0	3.19	2532	87.7	0.71	227	11570	73	-
17.5	1.10	2301	80	0.55	153	6160	51	65
17.5	1.70	2401 MUF	80	0.56	156	8420	53	67
17.6	3.29	2501 **	80	0.60	158	11240	55	69
18.4	0.84	2233	76.3	0.73	205	3050	73	-
18.4	1.37	2333	76.3	0.74	206	5600	73	-
18.4	2.07	2433	76.3	0.75	208	7830	73	-
19.9	3.73	2532	70.5	0.73	189	10860	73	-
23.3	0.79	2201	60	0.59	126	4000	49	63
23.3	1.35	2301	60	0.58	122	5700	51	65
23.3	1.97	2401 MUF	60	0.62	128	7760	53	67
23.4	3.78	2501 **	60	0.66	131	10280	55	69
28.0	0.95	2201	50	0.62	110	4180	49	63
28.0	1.62	2301	50	0.64	111	5420	51	65
28.0	2.35	2401 MUF	50	0.65	113	7340	53	67
35.0	0.84	3101 MUT	40	0.64	93	1650	47	61
35.0	1.13	2201	40	0.65	92	3970	49	63
35.0	1.98	2301	40	0.68	95	5100	51	65
35.0	2.88	2401 MUF	40	0.69	95	6890	53	67
46.7	1.00	3101 MUT	30	0.69	75	1690	47	61
46.7	1.42	2201	30	0.70	75	3680	49	63
46.7	2.34	2301	30	0.70	73	4730	51	65
46.7	3.46	2401 MUF	30	0.72	75	6340	53	67
56.0	0.93	3101 MUT	25	0.74	67	1610	47	61
54.9	1.44	2201	25.5	0.75	68	3520	49	63
54.9	2.46	2301	25.5	0.76	68	4490	51	65
54.9	3.65	2401 MUF	25.5	0.77	68	6030	53	67
70.0	1.23	3101 MUT	20	0.77	55	1570	47	61
70.0	2.04	2201	20	0.79	56	3310	49	63
70.0	3.24	2301	20	0.79	55	4210	51	65
93.7	1.00	4101	15	0.75	41	1345	45	59
93.3	1.65	3101	15	0.79	43	1510	47	61
93.3	2.54	2201	15	0.80	43	3070	49	63
93.3	3.60	2301	15	0.80	42	3830	51	65
112	1.85	3101 MUT	12.5	0.81	37	1460	47	61
122	3.27	2201	11.5	0.83	34	2860	49	63
122	5.39	2301	11.5	0.83	33	3650	51	65
141	1.42	4101 MUT	10	0.79	29	1090	45	59
140	2.26	3101 MUT	10	0.83	30	1400	47	61
135	3.30	2201	10.3	0.84	31	2780	49	63
135	5	2301	10.3	0.84	30	3475	51	65
187	1.86	4101 MUT	7.5	0.81	22	985	45	59
187	2.80	3101 MUT	7.5	0.85	23	1330	47	61
191	4	2201	7.33	0.85	22	2530	49	63
187	7	2301	7.5	0.86	23	3162	51	65
281	2.35	4101 MUT	5	0.82	15	890	45	59
269	10	2301	5.2	0.88	16	2840	51	65

1. Motor not concerned by the IE Mb 4101, Mb 3101 MUT : FT85 ba 14x30 mandatory; Mb 2401 MUF : FF130 ba 14x30 mandatory

* FMD Tri and brake motors for Mb 4101 only; FFB brake for Mb 3101 and Mb 22 to 26--.

** Mb 2501 with motor LS 80 L IFT/NIE, LS 80 L FFB1 IFT/NIE : IEC mandatory.

Geared motors with worm and wheel - IMfinity®

Multibloc

Selection tables

Multibloc: Mb / LS, LSES motors - 4 poles

LS, LSES 1500 min ⁻¹ - 50 Hz		Mb - Gearbox						
N _S (min ⁻¹)	K _p	Mb	i	η	M _S (Nm)	F _R E/2 (N)	Dim. MI-MU <—> H page	Dim. MI-MU <—> HL - HR page
0.75 kW - 50 Hz								
LSES 80 LG IFT/IE2 - LSES 80 LG IFT/IE3 LS 80 L FFB1 IFT/NIE - LSES 80 LG FFB1 IFT/IE3								
1.40	0.85	2634	1030	0.64	3206	21005	73	-
1.64	0.94	2634	881	0.65	2766	20980	73	-
1.87	0.96	2634	773	0.64	2387	20680	73	-
2.10	1.04	2634	687	0.64	2136	20910	73	-
2.33	1.19	2634	621	0.66	1986	21140	73	-
2.62	1.29	2634	552	0.66	1776	20580	73	-
2.95	1.31	2634	489	0.65	1552	19990	73	-
3.33	0.84	2534	434	0.62	1310	14200	73	-
3.35	1.43	2634	431	0.66	1379	19750	73	-
3.54	0.88	2534	409	0.62	1240	14530	73	-
3.58	1.49	2634	403	0.66	1296	18380	73	-
3.82	0.94	2534	378	0.66	1214	14280	73	-
3.85	1.77	2634	375	0.69	1258	17860	73	-
4.62	0.99	2532	313	0.54	824	14300	73	-
4.58	1.78	2632	315	0.57	876	18200	73	-
5.08	1.05	2532	285	0.55	758	14330	73	-
5.06	1.89	2632	286	0.58	802	18120	73	-
5.78	1.20	2532	250	0.58	702	13830	73	-
5.73	2.17	2632	252	0.60	735	17950	73	-
6.35	1.27	2532	228	0.58	646	13590	73	-
6.32	2.32	2632	229	0.61	672	17210	73	-
7.35	1.40	2532	197	0.59	566	13550	73	-
7.41	2.56	2632	195	0.61	583	17260	73	-
7.74	0.84	2433	187	0.72	652	7470	73	-
8.41	1.44	2532	172	0.58	484	13420	73	-
8.43	2.60	2632	171	0.61	508	16870	73	-
9.11	0.93	2433	159	0.72	558	7800	73	-
9.20	1.61	2532	157	0.61	463	12400	73	-
9.28	2.95	2632	156	0.63	476	16120	73	-
9.82	0.98	2433	147	0.73	519	7850	73	-
10.5	1.75	2532	138	0.61	411	12160	73	-
10.5	3.19	2632	137	0.64	425	15250	73	-
11.4	1.09	2433	126	0.73	449	8570	73	-
11.1	1.81	2532	130	0.62	391	11640	73	-
11.7	3.41	2632	123	0.64	386	15430	73	-
12.8	0.78	2333	113	0.73	398	5150	73	-
12.8	1.18	2433	113	0.73	403	8710	73	-
12.3	1.98	2532	118	0.65	370	11510	73	-
12.4	3.02	2632	117	0.70	396	15210	73	-
14.5	1.01	2401	100	0.52	244	8530	53	67
14.5	1.80	2501	100	0.55	252	11630	55	69
16.3	0.92	2333	88.8	0.73	316	3730	73	-
16.3	1.39	2433	88.8	0.74	320	7640	73	-
16.5	2.37	2532	87.7	0.71	302	11100	73	-
16.5	4	2632	87.4	0.73	311	14980	73	-
18.1	0.80	2301	80	0.55	207	5680	51	65
18.1	1.24	2401	80	0.57	211	8010	53	67
18.1	2.38	2501	80	0.59	217	10880	55	69

Mb 3101 MUT: FT85 ba 14x30 mandatory

Geared motors with worm and wheel - IMfinity®

Multibloc

Selection tables

Multibloc: Mb / LS, LSES motors - 4 poles

LS, LSES 1500 min ⁻¹ - 50 Hz		Mb - Gearbox						
N _S (min ⁻¹)	K _p	Mb	i	η	M _S (Nm)	F _R E/2 (N)	Dim. MI-MU <—> H page	Dim. MI-MU <—> HL - HR page
0.75 kW - 50 Hz								
LSES 80 LG IFT/IE2 - LSES 80 LG IFT/IE3 LS 80 L FFB1 IFT/NIE - LSES 80 LG FFB1 IFT/IE3								
18.9	1.02	2333	76.3	0.74	274	3660	73	-
18.9	1.54	2433	76.3	0.75	277	7320	73	-
20.5	2.77	2532	70.5	0.73	252	10450	73	-
20.6	5	2632	70.3	0.75	256	14560	73	-
21.7	2.87	2532	66.6	0.74	239	9892	73	-
22.8	6	2632	63.3	0.76	232	14250	73	-
24.1	0.99	2301	60	0.58	164	5100	51	65
24.1	1.44	2401	60	0.62	173	7420	53	67
24.1	2.73	2501	60	0.66	179	9980	55	69
28.9	1.19	2301	50	0.64	150	5100	51	65
28.9	1.71	2401	50	0.66	153	7030	53	67
28.9	3.24	2501	50	0.68	155	9480	55	69
36.1	0.83	2201	40	0.65	124	3670	49	63
36.1	1.45	2301	40	0.68	128	4820	51	65
36.1	2.10	2401	40	0.69	129	6630	53	67
36.1	3.99	2501	40	0.71	129	8287	55	69
48.2	1.04	2201	30	0.70	100	3430	49	63
48.2	1.72	2301	30	0.70	99	4510	51	65
48.2	2.52	2401	30	0.72	101	6130	53	67
48.2	5	2501	30	0.74	102	7662	55	69
56.7	1.06	2201	25.5	0.75	91	3300	49	63
56.7	1.81	2301	25.5	0.76	91	4290	51	65
56.7	2.66	2401	25.5	0.77	92	5850	53	67
56.7	6	2501	25.5	0.79	92	7312	55	69
72.3	0.91	3101 MUT	20	0.77	74	1350	47	61
72.3	1.50	2201	20	0.79	75	3120	49	63
72.3	2.38	2301	20	0.79	74	4050	51	65
74.1	3.59	2401	19.5	0.80	73	5430	53	67
70.5	7	2501	20.5	0.81	75	6787	55	69
96.3	1.22	3101 MUT	15	0.79	58	1340	47	61
96.3	1.87	2201	15	0.80	57	2930	49	63
96.3	2.64	2301	15	0.80	57	3750	51	65
99.7	4	2401	14.5	0.82	55	4687	53	67
116	1.37	3101 MUT	12.5	0.81	49	1320	47	61
126	2.41	2201	11.5	0.83	45	2740	49	63
126	3.96	2301	11.5	0.83	45	3500	51	65
145	1.67	3101 MUT	10	0.83	40	1280	47	61
140	2.42	2201	10.3	0.84	41	2670	49	63
140	3.99	2301	10.3	0.84	41	3390	51	65
140	6	2401	10.3	0.85	41	4237	53	67
193	2.07	3101 MUT	7.5	0.85	31	1230	47	61
197	3.25	2201	7.33	0.86	30	2450	49	63
193	5	2301	7.5	0.86	30	3062	51	65
199	8	2401	7.25	0.87	29	3827	53	67
278	7	2301	5.2	0.88	22	2790	51	65

Mb 3101 MUT: FT85 ba 14x30 mandatory

Geared motors with worm and wheel - IMfinity®

Multibloc

Selection tables

Multibloc: Mb / LS, LSES motors - 4 poles

LS, LSES 1500 min ⁻¹ - 50 Hz		Mb - Gearbox						
N _S (min ⁻¹)	K _p	Mb	i	η	M _S (Nm)	F _R E/2 (N)	Dim. MI-MU <— H —> page	Dim. MI-MU <— HL — HR —> page
0.9 kW - 50 Hz		LSES 80 LG IFT/IE2 - LSES 80 LG IFT/IE3 LS 80 L FFB1 IFT/NIE - LSES 80 LG FFB1 IFT/IE3						
1.88	0.80	2634	773	0.64	2864	19210	73	-
2.11	0.87	2634	687	0.64	2563	19030	73	-
2.33	0.99	2634	621	0.66	2382	19580	73	-
2.63	1.08	2634	552	0.66	2131	19060	73	-
2.96	1.09	2634	489	0.65	1863	18920	73	-
3.36	1.19	2634	431	0.66	1654	18770	73	-
3.59	1.24	2634	403	0.66	1555	17210	73	-
3.83	0.79	2534	378	0.66	1456	15360	73	-
3.87	1.48	2634	375	0.69	1510	16570	73	-
4.60	1.48	2632	315	0.57	1051	17490	73	-
4.64	0.83	2532	313	0.54	989	13350	73	-
5.09	0.88	2532	285	0.55	910	13150	73	-
5.08	1.57	2632	286	0.58	962	17240	73	-
5.80	1.00	2532	250	0.58	843	13540	73	-
5.75	0.81	2632	252	0.60	882	17130	73	-
6.37	1.06	2532	228	0.58	775	12850	73	-
6.34	1.93	2632	229	0.60	807	16450	73	-
7.37	1.16	2532	197	0.59	679	12700	73	-
7.44	2.13	2632	195	0.61	699	16360	73	-
8.44	1.20	2532	172	0.58	581	12650	73	-
8.46	2.16	2632	171	0.61	609	16240	73	-
9.23	1.34	2532	157	0.61	556	11670	73	-
9.31	2.45	2632	156	0.63	571	15370	73	-
9.86	0.81	2433	147	0.73	623	7630	73	-
10.6	1.46	2532	138	0.61	493	11590	73	-
10.6	2.66	2632	137	0.64	510	14670	73	-
11.5	0.91	2433	126	0.73	539	8030	73	-
11.2	1.51	2532	130	0.62	469	11200	73	-
11.7	2.84	2632	123	0.64	464	14540	73	-
12.9	0.98	2433	113	0.73	484	8250	73	-
12.3	1.64	2532	118	0.65	444	10690	73	-
12.4	2.52	2632	117	0.70	475	14300	73	-
14.5	0.83	2401	100	0.52	295	7850	53	67
14.5	1.48	2501	100	0.55	306	11290	55	69
16.3	1.16	2433	88.8	0.74	385	7160	73	-
16.5	1.97	2532	87.7	0.71	363	10720	73	-
16.6	3.42	2632	87.4	0.73	373	13260	73	-
18.1	1.03	2401	80	0.57	255	7680	53	67
18.1	1.96	2501	80	0.59	263	10580	55	69
19.0	0.85	2333	76.3	0.75	329	3210	73	-
19.0	1.28	2433	76.3	0.75	333	6920	73	-
20.6	2.31	2532	70.5	0.73	302	10120	73	-
20.6	4	2632	70.3	0.75	308	12980	73	-

Mb 3101 MUT: FT85 ba 14x30 mandatory

Geared motors with worm and wheel - IMfinity®

Multibloc

Selection tables

Multibloc: Mb / LS, LSES motors - 4 poles

LS, LSES 1500 min ⁻¹ - 50 Hz		Mb - Gearbox						
N _S (min ⁻¹)	K _p	Mb	i	η	M _S (Nm)	F _R E/2 (N)	Dim. MI-MU <— H —> page	Dim. MI-MU <— HL - HR —> page
0.9 kW - 50 Hz		LSES 80 LG IFT/IE2 - LSES 80 LG IFT/IE3 LS 80 L FFB1 IFT/NIE - LSES 80 LG FFB1 IFT/IE3						
21.8	2.39	2532	66.6	0.74	286	9980	73	-
22.9	5	2632	63.3	0.75	279	12750	73	-
24.2	0.82	2301	60	0.58	198	4900	51	65
24.2	1.19	2401	60	0.62	210	7150	53	67
24.2	2.25	2501	60	0.66	217	9720	55	69
29.0	0.98	2301	50	0.64	181	4850	51	65
29.0	1.41	2401	50	0.65	184	6780	53	67
29.0	2.66	2501	50	0.68	188	9250	55	69
36.3	1.20	2301	40	0.68	154	4610	51	65
36.3	1.74	2401	40	0.69	156	6420	53	67
36.3	3.28	2501	40	0.71	157	8680	55	69
48.3	0.86	2201	30	0.70	121	3240	49	63
48.3	1.42	2301	30	0.70	119	4340	51	65
48.3	2.09	2401	30	0.72	122	5960	53	67
48.3	4	2501	30	0.74	123	7450	55	69
56.9	0.88	2201	25.5	0.75	109	3130	49	63
56.9	1.50	2301	25.5	0.76	110	4140	51	65
56.9	2.20	2401	25.5	0.77	111	5690	53	67
56.9	5	2501	25.5	0.79	111	7112	55	69
72.5	1.24	2201	20	0.79	90	2980	49	63
72.5	1.97	2301	20	0.79	89	3920	51	65
74.4	2.96	2401	19.5	0.80	88	5310	53	67
70.7	5	2501	20.5	0.81	92	6637	55	69
95.7	1.01	3101 MUT	15	0.79	70	1210	47	61
96.7	1.55	2201	15	0.80	69	2810	49	63
96.7	2.18	2301	15	0.80	68	3650	51	65
100	3.64	2401	14.5	0.82	67	4890	53	67
115	1.13	3101 MUT	12.5	0.81	59	1200	47	61
126	2.00	2201	11.5	0.83	54	2650	49	63
126	3.27	2301	11.5	0.83	54	3410	51	65
144	1.38	3101 MUT	10	0.83	49	1200	47	61
140	2.01	2201	10.3	0.84	50	2580	49	63
140	3.30	2301	10.3	0.84	49	3310	51	65
140	5	2401	10.3	0.85	49	4137	53	67
191	1.71	3101 MUT	7.5	0.85	38	1160	47	61
198	2.69	2201	7.33	0.86	36	2390	49	63
193	5	2301	7.5	0.86	37	2987	51	65
200	7	2401	7.25	0.87	35	3733	53	67
279	6	2301	5.2	0.88	26	2740	51	65

Mb 3101 MUT : FT85 ba 14x30 mandatory

Geared motors with worm and wheel - IMfinity®

Multibloc

Selection tables

Multibloc: Mb / LS, LSES motors - 4 poles

LS, LSES 1500 min ⁻¹ - 50 Hz		Mb - Gearbox						
N _S (min ⁻¹)	K _p	Mb	i	η	M _S (Nm)	F _R E/2 (N)	Dim. MI-MU <— H —> page	Dim. MI-MU <— HL - HR —> page
1.1 kW - 50 Hz		LSES 90 SL IFT/IE2 - LSES 90 SL IFT/IE3						
		LS 90 SL FFB2 IFT/NIE - LSES 90 SL FFB2 IFT/IE3						
2.33	0.81	2634	621	0.66	2921	18020	73	-
2.63	0.88	2634	552	0.66	2613	17550	73	-
2.96	0.89	2634	489	0.65	2284	17860	73	-
3.36	0.97	2634	431	0.66	2028	17800	73	-
3.59	1.01	2634	403	0.66	1906	16840	73	-
3.87	1.20	2634	375	0.69	1851	16420	73	-
4.60	1.21	2632	315	0.57	1288	16770	73	-
5.08	1.28	2632	286	0.58	1179	16140	73	-
5.80	0.82	2532	250	0.58	1033	12480	73	-
5.75	1.48	2632	252	0.60	1081	16130	73	-
6.37	0.86	2532	228	0.58	950	12130	73	-
6.34	1.57	2632	229	0.61	989	15530	73	-
7.32	0.94	2532	197	0.59	838	11860	73	-
7.44	1.74	2632	195	0.62	857	15730	73	-
8.44	0.98	2532	172	0.58	713	11880	73	-
8.46	1.76	2632	171	0.61	747	15610	73	-
9.23	1.09	2532	157	0.61	681	11280	73	-
9.31	2.00	2632	156	0.63	701	14370	73	-
10.6	1.19	2532	138	0.61	604	10890	73	-
10.6	2.17	2632	137	0.64	625	14000	73	-
11.2	1.23	2532	130	0.62	575	10220	73	-
11.7	2.32	2632	123	0.64	568	13870	73	-
12.3	1.34	2532	118	0.65	544	9870	73	-
12.4	2.05	2632	117	0.70	583	13380	73	-
14.5	1.20	2501	100	0.55	378	10920	55	69
14.5	2.17	2601 MUF	100	0.57	386	13820	57	71
16.5	1.61	2532	87.7	0.71	445	10290	73	-
16.6	2.79	2632	87.4	0.73	457	12730	73	-
18.1	0.83	2401	80	0.57	315	7300	53	67
18.1	1.58	2501	80	0.60	326	10250	55	69
18.1	2.80	2601 MUF	80	0.62	336	12960	57	71
20.6	1.88	2532	70.5	0.73	370	9760	73	-
20.6	3.49	2632	70.3	0.75	377	12230	73	-
21.8	1.95	2532	66.6	0.74	351	9860	73	-
22.9	3.74	2632	63.3	0.76	342	11980	73	-
24.2	0.96	2401	60	0.62	259	6830	53	67
24.2	1.82	2501	60	0.66	269	9450	55	69
24.2	3.30	2601 MUF	60	0.68	274	11940	57	71

* Mb 2201 : adapted motor ; Mb 2601 : MUF mandatory.

Geared motors with worm and wheel - IMfinity®

Multibloc

Selection tables

Multibloc: Mb / LS, LSES motors - 4 poles

LS, LSES 1500 min ⁻¹ - 50 Hz		Mb - Gearbox						
N _S (min ⁻¹)	K _p	Mb	i	η	M _S (Nm)	F _R E/2 (N)	Dim. MI-MU <—> H page	Dim. MI-MU <—> HL - HR page
1.1 kW - 50 Hz		LSES 90 SL IFT/IE2 - LSES 90 SL IFT/IE3						
		LS 90 SL FFB2 IFT/NIE - LSES 90 SL FFB2 IFT/IE3						
29.0	0.80	2301	50	0.64	224	4720	51	65
29.0	1.15	2401	50	0.66	228	6500	53	67
29.0	2.15	2501	50	0.68	232	9020	55	69
29.0	3.97	2601 MUF	50	0.71	238	11320	57	71
36.3	0.97	2301	40	0.68	190	4350	51	65
36.3	1.41	2401	40	0.69	192	6190	53	67
36.3	2.65	2501	40	0.71	194	8490	55	69
36.3	5	2601 MUF	40	0.73	197	10612	57	71
48.3	1.15	2301	30	0.70	146	4140	51	65
48.3	1.69	2401	30	0.72	151	5780	53	67
48.3	3.31	2501	30	0.74	153	7860	55	69
48.3	5	2601 MUF	30	0.78	159	9825	57	71
56.9	1.21	2301	25.5	0.76	136	3950	51	65
56.9	1.78	2401	25.5	0.77	137	5530	53	67
56.9	3.72	2501	25.5	0.79	137	7490	55	69
56.9	7	2601 MUF	25.5	0.81	139	9362	57	71
72.5	1.01	2201 *	20	0.79	111	2800	49	63
72.5	1.60	2301	20	0.79	110	3770	51	65
74.4	2.40	2401	19.5	0.80	108	5180	53	67
70.7	4	2501	20.5	0.81	113	6475	55	69
70.7	8	2601 MUF	20.5	0.82	114	8093	57	71
96.7	1.26	2201 *	15	0.81	85	2680	49	63
96.7	1.77	2301	15	0.80	84	3540	51	65
100	2.95	2401	14.5	0.82	82	4800	53	67
93.6	5	2501	15.5	0.83	88	6000	55	69
93.6	11	2601 MUF	15.5	0.84	88	7500	57	71
126	1.63	2201 *	11.5	0.83	67	2540	49	63
126	2.66	2301	11.5	0.83	67	3320	51	65
140	1.63	2201 *	10.3	0.84	61	2490	49	63
140	2.68	2301	10.3	0.84	61	3230	51	65
140	4	2401	10.3	0.85	61	4037	53	67
140	8	2501	10.3	0.86	61	5046	55	69
140	15	2601 MUF	10.3	0.87	60	6307	57	71
198	2.19	2201 *	7.33	0.86	44	2320	49	63
193	3.68	2301	7.5	0.86	45	2980	51	65
200	5	2401	7.25	0.87	44	2900	53	67
200	11	2501	7.25	0.88	43	3625	55	69
193	18	2601 MUF	7.5	0.88	45	4531	57	71
279	5	2301	5.2	0.88	32	2710	51	65

* Mb 2201 : adapted motor ; Mb 2601 : MUF mandatory.

Geared motors with worm and wheel - IMfinity®

Multibloc

Selection tables

Multibloc: Mb / LS, LSES motors - 4 poles

LS, LSES 1500 min ⁻¹ - 50 Hz		Mb - Gearbox						
N _S (min ⁻¹)	K _p	Mb	i	η	M _S (Nm)	F _R E/2 (N)	Dim. MI-MU <— H —> page	Dim. MI-MU <— HL - HR —> page
1.5 kW - 50 Hz								
LSES 90 L IFT/IE2 - LSES 90 LU IFT/IE3 LS 90 L FFB2 IFT/NIE - LSES 90 LU FFB2 IFT/IE3								
3.87	0.88	2634	375	0.69	2529	13880	73	-
4.60	0.88	2632	315	0.57	1761	16050	73	-
5.08	0.94	2632	286	0.58	1612	15650	73	-
5.75	1.08	2632	252	0.60	1478	15240	73	-
6.35	1.15	2632	229	0.61	1352	13760	73	-
7.45	1.27	2632	195	0.62	1172	15090	73	-
8.47	1.29	2632	171	0.61	1021	14970	73	-
9.24	0.80	2532	157	0.61	931	10150	73	-
9.32	1.46	2632	156	0.63	957	13370	73	-
10.6	0.87	2532	138	0.61	826	9980	73	-
10.6	1.59	2632	137	0.64	854	12610	73	-
11.2	0.90	2532	130	0.62	785	9750	73	-
11.8	1.69	2632	123	0.64	777	13210	73	-
12.3	0.98	2532	118	0.65	744	9050	73	-
12.4	1.50	2632	117	0.70	796	12465	73	-
14.5	0.86	2501	100	0.55	523	10130	55	69
14.5	1.56	2601 MUF	100	0.57	536	13040	57	71
16.6	1.18	2532	87.7	0.71	608	9390	73	-
16.6	2.04	2632	87.4	0.73	625	11920	73	-
18.2	1.14	2501	80	0.60	451	9570	55	69
18.2	2.01	2601 MUF	80	0.62	467	12270	57	71
20.6	1.38	2532	70.5	0.73	506	8990	73	-
20.7	2.55	2632	70.3	0.75	515	11480	73	-
21.8	1.43	2532	66.6	0.74	480	8560	73	-
22.9	2.73	2632	63.3	0.76	467	11120	73	-
24.2	1.31	2501	60	0.66	373	8870	55	69
24.2	2.37	2601 MUF	60	0.68	381	11370	57	71
29.0	0.83	2401	50	0.66	313	5920	53	67
29.0	1.55	2501	50	0.68	321	8530	55	69
29.0	2.86	2601 MUF	50	0.71	331	10830	57	71
36.3	1.02	2401	40	0.69	264	5700	53	67
36.3	1.91	2501	40	0.71	269	8080	55	69
36.3	3.55	2601 MUF	40	0.73	274	10250	57	71
48.4	0.84	2301	30	0.70	201	3720	51	65
48.4	1.23	2401	30	0.72	207	5390	53	67
48.4	2.39	2501	30	0.74	211	7530	55	69
48.4	3.76	2601 MUF	30	0.78	220	9460	57	71
56.9	0.88	2301	25.5	0.76	186	3570	51	65
56.9	1.29	2401	25.5	0.77	188	5180	53	67
56.9	2.69	2501	25.5	0.79	190	7190	55	69
56.9	5	2601 MUF	25.5	0.81	193	8987	57	71

*Mb 2201 : adapted motor ; Mb 2601 : MUF mandatory.

Geared motors with worm and wheel - IMfinity®

Multibloc

Selection tables

Multibloc: Mb / LS, LSES motors - 4 poles

LS, LSES 1500 min ⁻¹ - 50 Hz		Mb - Gearbox						
N _S (min ⁻¹)	K _p	Mb	i	η	M _S (Nm)	F _R E/2 (N)	Dim. MI-MU <—> H page	Dim. MI-MU <—> HL - HR page
1.5 kW - 50 Hz								
LSES 90 L IFT/IE2 - LSES 90 LU IFT/IE3 LS 90 L FFB2 IFT/NIE - LSES 90 LU FFB2 IFT/IE3								
72.6	1.16	2301	20	0.79	151	3460	51	65
74.5	1.74	2401	19.5	0.80	149	4910	53	67
70.8	3.17	2501	20.5	0.81	157	6800	55	69
70.8	6	2601 MUF	20.5	0.82	158	8500	57	71
96.8	0.92	2201 *	15	0.81	117	2400	49	63
96.8	1.29	2301	15	0.80	116	3300	51	65
100	2.14	2401	14.5	0.82	113	4590	53	67
93.7	3.97	2501	15.5	0.83	121	6330	55	69
93.7	8	2601 MUF	15.5	0.84	122	7912	57	71
126	1.18	2201 *	11.5	0.83	92	2320	49	63
126	1.93	2301	11.5	0.83	91	3140	51	65
141	1.19	2201 *	10.3	0.84	84	2290	49	63
141	1.95	2301	10.3	0.84	84	3060	51	65
141	2.97	2401	10.3	0.85	84	4220	53	67
141	6	2501	10.3	0.86	84	5275	55	69
141	11	2601 MUF	10.3	0.87	84	6593	57	71
198	1.59	2201 *	7.33	0.86	61	2180	49	63
194	2.68	2301	7.5	0.86	62	2850	51	65
200	3.86	2401	7.25	0.87	60	3850	53	67
200	8	2501	7.25	0.88	60	3562	55	69
194	13	2601 MUF	7.5	0.88	62	4452	57	71
279	3.63	2301	5.2	0.88	44	2620	51	65

* Mb 2201 : adapted motor ; Mb 2601 : MUF mandatory.

Geared motors with worm and wheel - IMfinity®

Multibloc

Selection tables

Multibloc: Mb / LS, LSES motors - 4 poles

LS, LSES 1500 min ⁻¹ - 50 Hz		Mb - Gearbox						
N _S (min ⁻¹)	K _p	Mb	i	η	M _S (Nm)	F _R E/2 (N)	Dim. MI-MU <—> H page	Dim. MI-MU <—> HL - HR page
1.8 kW - 50 Hz								
LSES 90 LU IFT/IE2 - LSES 100 L IFT/IE3 LS 90 L FFB2 IFT/NIE - LSES 100 L FFB2 IFT/IE3								
5.08	0.78	2632	286	0.58	1937	15900	73	-
5.75	0.90	2632	252	0.60	1776	14890	73	-
6.35	0.96	2632	229	0.61	1625	13510	73	-
7.45	1.06	2632	195	0.62	1409	14460	73	-
8.47	1.07	2632	171	0.61	1227	14340	73	-
9.32	1.22	2632	156	0.63	1151	12370	73	-
10.6	1.32	2632	137	0.64	1026	11660	73	-
11.8	1.41	2632	123	0.64	934	12540	73	-
12.3	0.82	2532	118	0.65	894	8230	73	-
12.4	1.25	2632	117	0.70	957	11550	73	-
14.5	1.29	2601 MUF	100	0.57	648	12470	57	71
16.6	0.98	2532	87.7	0.71	731	8720	73	-
16.6	1.70	2632	87.4	0.73	751	11220	73	-
18.2	0.94	2501	80	0.60	545	9070	55	69
18.2	1.66	2601 MUF	80	0.62	565	11780	57	71
20.6	1.14	2532	70.5	0.73	608	8420	73	-
20.7	2.12	2632	70.3	0.75	619	10940	73	-
21.8	1.19	2532	66.6	0.74	577	8150	73	-
22.9	2.28	2632	63.3	0.76	561	9850	73	-
24.2	1.09	2501	60	0.66	450	8460	55	69
24.2	1.96	2601 MUF	60	0.68	461	10970	57	71
29.0	1.26	2501	50	0.68	388	8170	55	69
29.0	2.36	2601 MUF	50	0.71	400	10470	57	71
36.3	0.85	2401	40	0.69	319	5340	53	67
36.3	1.58	2501	40	0.71	325	7780	55	69
36.3	2.93	2601 MUF	40	0.73	331	9960	57	71
48.4	1.02	2401	30	0.72	250	5110	53	67
48.4	1.98	2501	30	0.74	255	7300	55	69
48.4	3.11	2601 MUF	30	0.78	267	9230	57	71
56.9	1.07	2401	25.5	0.77	227	4930	53	67
56.9	2.22	2501	25.5	0.79	230	6990	55	69
56.9	3.91	2601 MUF	25.5	0.81	233	8860	57	71
72.0	0.96	2301	20	0.79	184	3230	51	65
74.5	1.44	2401	19.5	0.80	180	4710	53	67
70.8	2.62	2501	20.5	0.81	189	6640	55	69
70.8	5	2601 MUF	20.5	0.82	191	8300	57	71
96.0	1.06	2301	15	0.80	141	3120	51	65
100	1.77	2401	14.5	0.82	137	4440	53	67
93.7	3.29	2501	15.5	0.83	146	6200	55	69
93.7	6	2601 MUF	15.5	0.84	147	7750	57	71
125	0.98	2201 *	11.5	0.83	112	2160	49	63
125	1.60	2301	11.5	0.83	111	3000	51	65
139	0.98	2201 *	10.3	0.84	102	2140	49	63
139	1.61	2301	10.3	0.84	102	2940	51	65
141	2.46	2401	10.3	0.85	101	4110	53	67
141	5	2501	10.3	0.86	102	5137	55	69
141	9	2601 MUF	10.3	0.87	102	6421	57	71
196	1.32	2201 *	7.33	0.86	74	2070	49	63
192	2.21	2301	7.5	0.86	76	2760	51	65
200	3.20	2401	7.25	0.87	73	3780	53	67
200	6	2501	7.25	0.88	73	3450	55	69
194	11	2601 MUF	7.5	0.88	75	4312	57	71
277	3	2301	5.2	0.88	53	2560	51	65

* Mb 2201 : adapted motor ; Mb 2601 : MUF mandatory.

Geared motors with worm and wheel - IMfinity®

Multibloc

Selection tables

Multibloc: Mb / LS, LSES motors - 4 poles

LS, LSES 1500 min ⁻¹ - 50 HzV		Mb - Gearbox						
N _S (min ⁻¹)	K _p	Mb	i	η	M _S (Nm)	F _R E/2 (N)	Dim. MI-MU <—> H page	Dim. MI-MU <—> HL - HR page
2.2 kW - 50 Hz								
LSES 100 L IFT/IE2 - LSES 100 LR IFT/IE3 LS 100 L FFB2 IFT/NIE - LSES 100 LR FFB2 IFT/IE3								
6.36	0.78	2632	229	0.61	1987	13780	73	-
7.46	0.86	2632	195	0.62	1722	13820	73	-
8.48	0.88	2632	171	0.61	1500	13710	73	-
9.33	1.00	2632	156	0.63	1407	11670	73	-
10.6	1.08	2632	137	0.64	1254	11320	73	-
11.8	1.15	2632	123	0.64	1141	11880	73	-
12.4	1.02	2632	117	0.70	1170	11050	73	-
14.5	1.05	2601 MUF	100	0.57	798	11670	57	71
16.6	0.80	2532	87.7	0.71	893	7450	73	-
16.6	1.39	2632	87.4	0.73	918	10280	73	-
18.2	1.35	2601 MUF	80	0.62	695	11090	57	71
20.6	0.94	2532	70.5	0.73	743	7660	73	-
20.7	1.73	2632	70.3	0.75	757	10190	73	-
21.8	0.97	2532	66.6	0.74	705	7780	73	-
23.0	1.86	2632	63.3	0.76	686	10280	73	-
24.2	0.88	2501	60	0.66	553	7880	55	69
24.2	1.59	2601 MUF	60	0.68	568	10390	57	71
29.1	1.05	2501	50	0.68	477	7670	55	69
29.1	1.92	2601 MUF	50	0.71	493	9960	57	71
36.4	1.29	2501	40	0.71	399	7350	55	69
36.4	2.38	2601 MUF	40	0.73	408	9530	57	71
48.5	0.83	2401	30	0.72	307	4720	53	67
48.5	1.61	2501	30	0.74	314	6960	55	69
48.5	2.52	2601 MUF	30	0.78	328	8880	57	71
57.0	0.87	2401	25.5	0.77	278	4580	53	67
57.0	1.81	2501	25.5	0.79	282	6680	55	69
57.0	3.18	2601 MUF	25.5	0.81	287	8550	57	71
74.6	1.18	2401	19.5	0.80	220	4440	53	67
70.9	2.13	2501	20.5	0.81	233	6380	55	69
70.9	3.99	2601 MUF	20.5	0.82	235	8130	57	71
96.0	0.87	2301 *	15	0.80	173	3376	51	65
100	1.44	2401	14.5	0.82	168	4220	53	67
93.8	2.67	2501	15.5	0.83	180	6000	55	69
93.8	5	2601 MUF	15.5	0.84	181	7500	57	71
125	1.30	2301 *	11.5	0.83	136	3220	51	65
139	1.31	2301 *	10.3	0.84	93	3160	51	65
141	2.01	2401	10.3	0.85	124	3950	53	67
141	4	2501	10.3	0.86	125	5410	55	69
141	7	2601 MUF	10.3	0.87	125	6762	57	71
192	1.80	2301 *	7.5	0.86	93	2928	51	65
201	2.61	2401	7.25	0.87	89	3660	53	67
201	5	2501	7.25	0.88	89	4960	55	69
194	9	2601 MUF	7.5	0.88	92	6200	57	71
277	2.45	2301 *	5.2	0.88	66	2115	51	65

* Mb 2301 : adapted motor ; Mb 2601 : MUF mandatory.

Geared motors with worm and wheel - IMfinity®

Multibloc

Selection tables

Multibloc: Mb / LS, LSES motors - 4 poles

LS, LSES 1500 min ⁻¹ - 50 Hz		Mb - Gearbox						
N _S (min ⁻¹)	K _p	Mb	i	η	M _S (Nm)	F _R E/2 (N)	Dim. MI-MU <—> H page	Dim. MI-MU <—> HL - HR page
3 kW - 50 Hz		LSES 100 LR IFT/IE2 - LSES 100 LG IFT/IE3 LS 100 L FFB3 IFT/NIE - LSES 100 LG FFB3 IFT/IE3						
10.7	0.79	2632	137	0.64	1707	10890	73	-
11.8	0.85	2632	123	0.64	1553	11210	73	-
14.7	0.94	2632	99	0.73	1407	8750	73	-
16.7	1.02	2632	87.4	0.73	1249	8410	73	-
18.3	0.98	2601	80	0.62	953	9750	57	71
20.8	1.27	2632	70.3	0.75	1030	8730	73	-
23.1	1.37	2632	63.3	0.76	934	8710	73	-
24.3	1.16	2601 MUF	60	0.68	778	9300	57	71
29.2	1.40	2601 MUF	50	0.71	676	9000	57	71
36.5	0.94	2501	40	0.71	546	6540	55	69
36.5	1.74	2601 MUF	40	0.73	559	8750	57	71
48.7	1.18	2501	30	0.74	429	6320	55	69
48.7	1.84	2601 MUF	30	0.79	450	8250	57	71
57.3	1.32	2501	25.5	0.79	386	6110	55	69
57.3	2.31	2601 MUF	25.5	0.81	393	8000	57	71
74.9	0.86	2401	19.5	0.8	301	3910	53	67
71.2	1.56	2501	20.5	0.81	319	5910	55	69
71.2	2.91	2601 MUF	20.5	0.82	322	7690	57	71
101	1.06	2401	14.5	0.82	229	3820	53	67
94.2	1.95	2501	15.5	0.83	246	5650	55	69
94.2	3.77	2601 MUF	15.5	0.84	248	7250	57	71
125	0.95	2301 *	11.5	0.83	187	3005	51	65
139	0.96	2301 *	10.3	0.84	171	2920	51	65
141	1.47	2401	10.3	0.85	170	3650	53	67
141	2.92	2501	10.3	0.86	171	5170	55	69
141	5	2601 MUF	10.3	0.87	172	6462	57	71
192	1.31	2301 *	7.5	0.86	127	2760	51	65
201	1.91	2401	7.25	0.87	122	3450	53	67
201	3.84	2501	7.25	0.88	122	4800	55	69
195	6	2601 MUF	7.5	0.88	126	6000	57	71
277	1.78	2301 *	5.2	0.88	90	2620	51	65

* Mb 2301 : adapted motor ; Mb 2601 : MUF mandatory.

Geared motors with worm and wheel - IMfinity®

Multibloc

Selection tables

Multibloc: Mb / LS, LSES motors - 4 poles

LS, LSES 1500 min ⁻¹ - 50 Hz		Mb - Gearbox						
N _S (min ⁻¹)	K _p	Mb	i	η	M _S (Nm)	F _R E/2 (N)	Dim. MI-MU <—> H page	Dim. MI-MU <—> HL - HR page
4 kW - 50 Hz		LSES 112 MU IFT/IE2 - LSES 112 MU IFT/IE3						
		LS 112 MG FFB3 IFT/NIE - LSES 112 MU FFB3 IFT/IE3						
18.3	0.87	2632	79.8	0.74	1552	8210	73	-
20.7	0.95	2632	70.3	0.75	1377	6900	73	-
23.0	1.02	2632	63.3	0.76	1248	6750	73	-
24.3	0.86	2601 MUF	60	0.68	1046	7920	57	71
29.2	1.04	2601 MUF	50	0.71	908	7780	57	71
36.5	1.29	2601 MUF	40	0.73	751	7750	57	71
48.6	0.88	2501	30	0.74	576	5520	55	69
48.6	1.37	2601 MUF	30	0.79	605	7440	57	71
57.2	0.98	2501	25.5	0.79	518	5390	55	69
57.2	1.72	2601 MUF	25.5	0.81	528	7300	57	71
71.1	1.16	2501	20.5	0.81	427	5320	55	69
71.1	2.16	2601 MUF	20.5	0.82	433	7120	57	71
101	0.79	2401	14.5	0.82	307	3330	53	67
94.1	1.45	2501	15.5	0.83	330	5190	55	69
94.1	2.80	2601 MUF	15.5	0.84	334	6810	57	71
141	1.09	2401	10.3	0.85	228	3280	53	67
141	2.18	2501	10.3	0.86	230	4850	55	69
141	3.93	2601 MUF	10.3	0.87	231	6290	57	71
193	0.98	2301 *	7.5	0.86	169	2544	51	65
201	1.42	2401	7.25	0.87	163	3180	53	67
201	2.86	2501	7.25	0.88	164	4590	55	69
194	5	2601 MUF	7.5	0.88	170	5737	57	71
278	1	2301 *	5.2	0.88	120	2320	51	65

* Mb 2301 : adapted motor ; Mb 2601 : MUF mandatory.

Geared motors with worm and wheel - IMfinity®

Multibloc

Selection tables

Multibloc: Mb / LS, LSES motors - 4 poles

LS, LSES 1500 min ⁻¹ - 50 Hz		Mb - Gearbox						
N _S (min ⁻¹)	K _p	Mb	i	η	M _S (Nm)	F _R E/2 (N)	Dim. MI-MU <— H —> page	Dim. MI-MU <— HL - HR —> page
5.5 kW - 50 Hz		LSES 132 SU IFT/IE2 - LSES 132 SM IFT/IE3 LS 132 S FFB3 IFT/NIE - LSES 132 SM FFB4 IFT/IE3						
36.6	0.94	2601 *	40	0.73	1036	6260	57	71
48.7	0.99	2601 *	30	0.79	834	6230	57	71
57.3	1.25	2601 *	25.5	0.81	729	6250	57	71
71.3	0.84	2501 *	20.5	0.81	589	4430	55	69
71.3	1.57	2601 *	20.5	0.82	597	6270	57	71
94.3	1.05	2501 *	15.5	0.83	455	4510	55	69
94.3	2.03	2601 *	15.5	0.84	460	6150	57	71
141	0.79	2401 *	10.3	0.85	313	3250	53	67
141	1.58	2501 *	10.3	0.86	316	4370	55	69
141	2.85	2601 *	10.3	0.87	318	5840	57	71
202	1.03	2401 *	7.25	0.87	225	2780	53	67
202	2.08	2501 *	7.25	0.88	226	4270	55	69
195	3.46	2601 *	7.5	0.88	234	5540	57	71

* Mb 2401, Mb 2501, Mb 2601: adapted motor

Geared motors with worm and wheel - IMfinity®

Multibloc

Selection tables

Multibloc: Mb / LS, LSES motors - 4 poles

LS, LSES 1500 min ⁻¹ - 50 Hz		Mb - Gearbox						
N _S (min ⁻¹)	K _p	Mb	i	η	M _S (Nm)	F _R E/2 (N)	Dim. MI-MU <—> H page	Dim. MI-MU <—> HL - HR page
7.5 kW - 50 Hz		LSES 132 M IFT/IE2 - LSES 132 MU IFT/IE3 LS 132 M FFB4 IFT/NIE - LSES 132 MU FFB4 IFT/IE3						
57.2	0.91	2601 *	25.5	0.81	1000	4880	57	71
71.1	1.14	2601 *	20.5	0.82	819	5150	57	71
94.1	1.48	2601 *	15.5	0.84	632	5280	57	71
141.1	1.15	2501 *	10.3	0.86	434	3750	55	69
141	20.8	2601 *	10.3	0.87	436	5250	57	71
201	1.52	2501 *	7.25	0.88	309	3840	55	69
194	2.52	2601 *	7.5	0.88	321	5100	57	71

* Mb 2501 and Mb 2601: adapted motor

LS, LSES 1500 min ⁻¹ - 50 Hz		Mb - Gearbox						
N _S (min ⁻¹)	K _p	Mb	i	η	M _S (Nm)	F _R E/2 (N)	Dim. MI-MU <—> H page	Dim. MI-MU <—> HL - HR page
9 kW - 50 Hz		LSES 132 M IFT/IE2 LS 132 M FFB4 IFT/NIE						
71.1	0.95	2601 *	20.5	0.82	985	4310	57	71
94.1	1.23	2601 *	15.5	0.84	759	4640	57	71
141	0.96	2501 *	10.3	0.86	521	3290	55	69
141	1.73	2601 *	10.3	0.87	524	4810	57	71
201	1.26	2501 *	7.25	0.88	372	3530	55	69
194	2.10	2601 *	7.5	0.88	386	4790	57	71

* Mb 2501 and Mb 2601: adapted motor

Geared motors with worm and wheel - IMfinity®

Multibloc

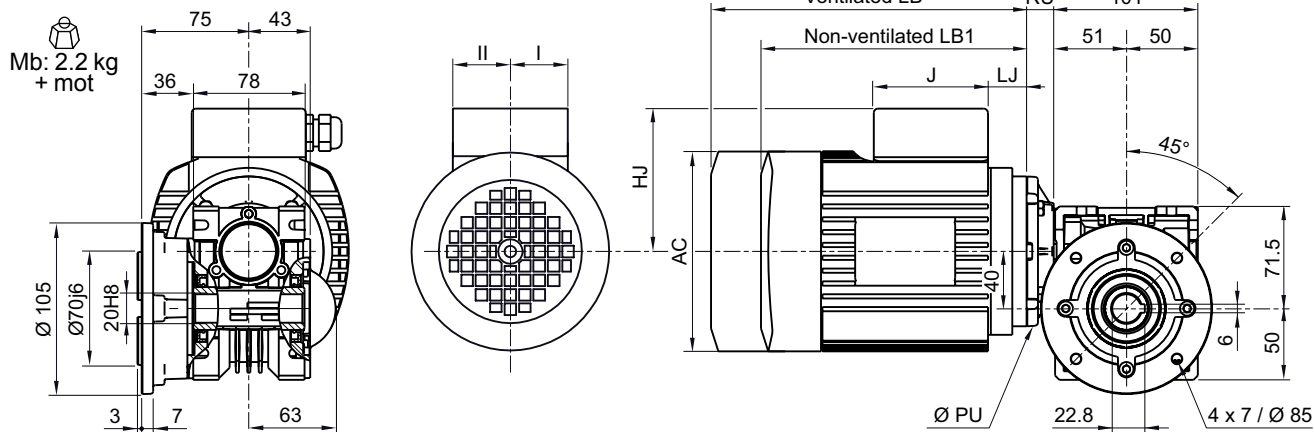
Hollow shaft

Dimensions of Mb 4101 - Universal Mounting MUT

BD1 L* flange on left, H hollow shaft

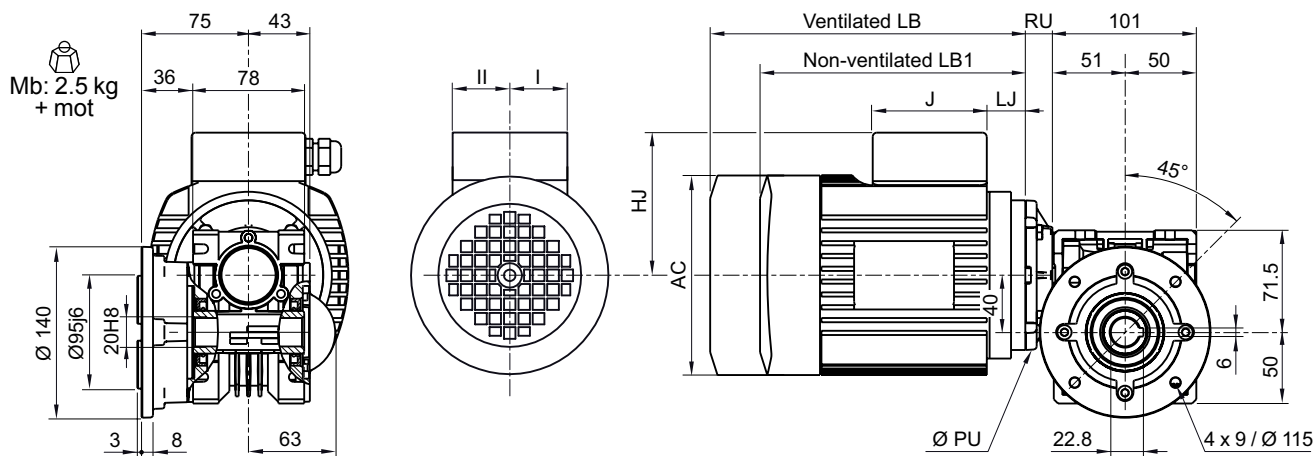
Dimensions in millimetres

* option on right BD R H: identical flange and shaft

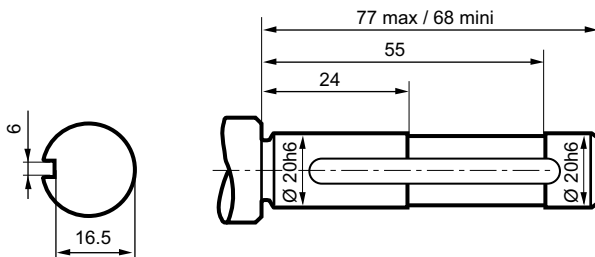


BD2 L* flange on left, H hollow shaft

* option on right BD2 R H: identical flange and shaft



Driven shaft details



Geared motors with worm and wheel - IMfinity®

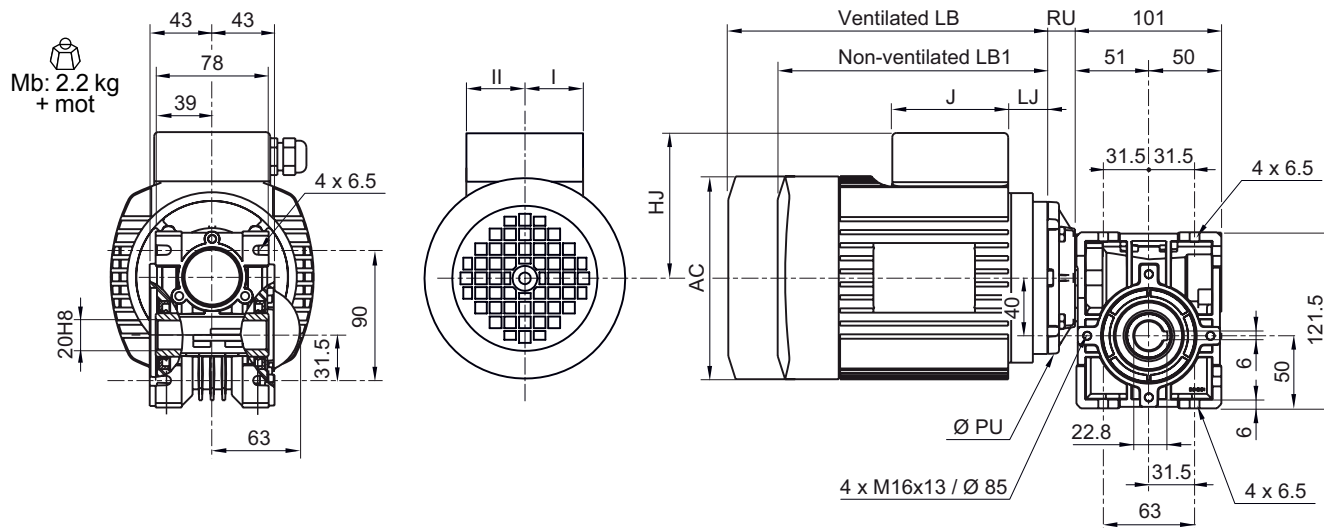
Multibloc

Hollow shaft

Dimensions of Mb 4101 - Universal Mounting MUT

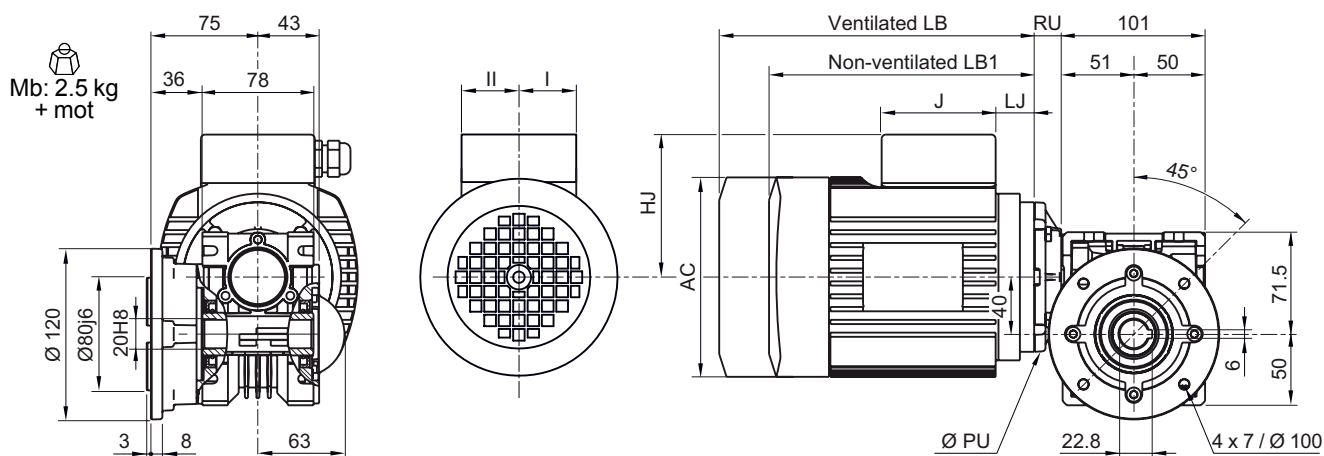
- S standard form, H hollow shaft

Dimensions in millimetres



BS 1 L* flange on left, H hollow shaft

* option on right BS R H: identical right flange and shaft



Mb 4101 + IEC standard motor

Brake type	Single-phase 4-pole motors MUT									kg ¹	Brake type	Single-phase 4-pole motors and FMD brake MUT									kg ¹
	AC	HJ	J	LB/LB1	LJ	PU	RU	I	II			AC	HJ	J	LB/LB1	LJ	PU	RU	I	II	
LS 56 M-P	110	92	100	156/135	13.5	80	19	102	43	4	FMD3	110	114	136	206/175	13.5	80	19	52	52	4.7
LS 63 M-P	124	97	100	172/150	23.5	90	19	102	43	4.5	FMD3	124	119	136	222/200	23.5	90	19	52	52	5.7
LS 71 L-P	140	107	100	194/155	23.5	105	19	102	43	7.5	FMD5	140	129	136	240/201	23.5	105	19	52	52	9.4

Brake type	Three-phase 4-pole motors MUT									kg ¹	Brake type	Three-phase 4-pole motors and FMD brake MUT									kg ¹
	AC	HJ	J	LB	LJ	PU	RU	I	II			AC	HJ	J	LB	LJ	PU	RU	I	II	
LS 56	110	85	80	156	17	80	19	40	40	4	FMD3	110	114	136	206	13.5	80	19	52	52	6
LS 63	124	90	80	172	27	90	19	40	40	5	FMD3	124	119	136	222	23.5	90	19	52	52	6.5
LS 71 M	140	100	80	186	27	105	19	40	40	6.4	-	-	-	-	-	-	-	-	-	-	-
LS 71 L	140	109	87	194	23.5	105	19	43.5	43.5	8.3	FMD5	140	129	136	240	23.5	105	19	52	52	10.7

1. The most binding values

Geared motors with worm and wheel - IMfinity®

Multibloc

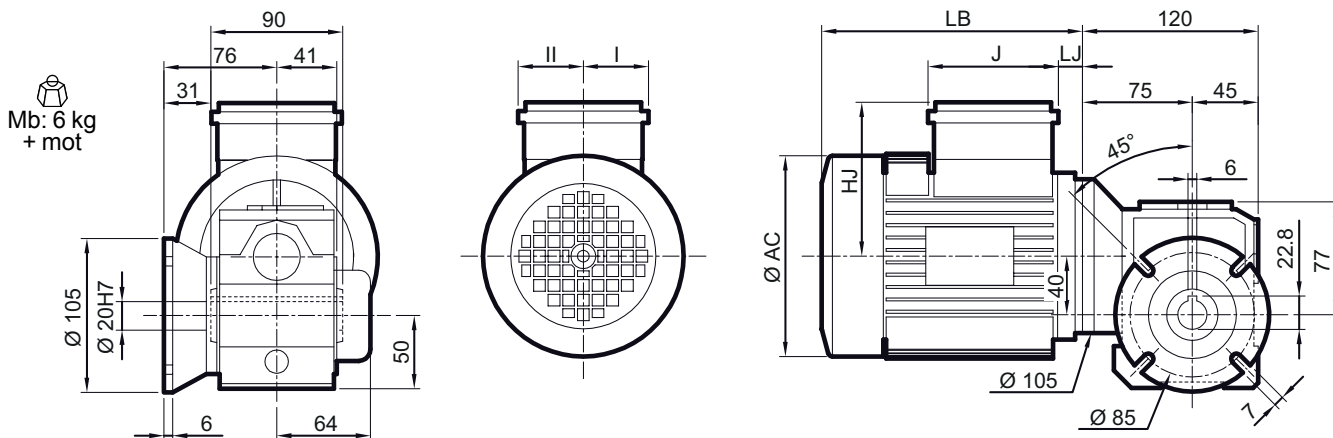
Hollow shaft

Dimensions of Mb 3101 - Universal Mounting MUT

BN1 L* flange on left, H hollow shaft

Dimensions in millimetres

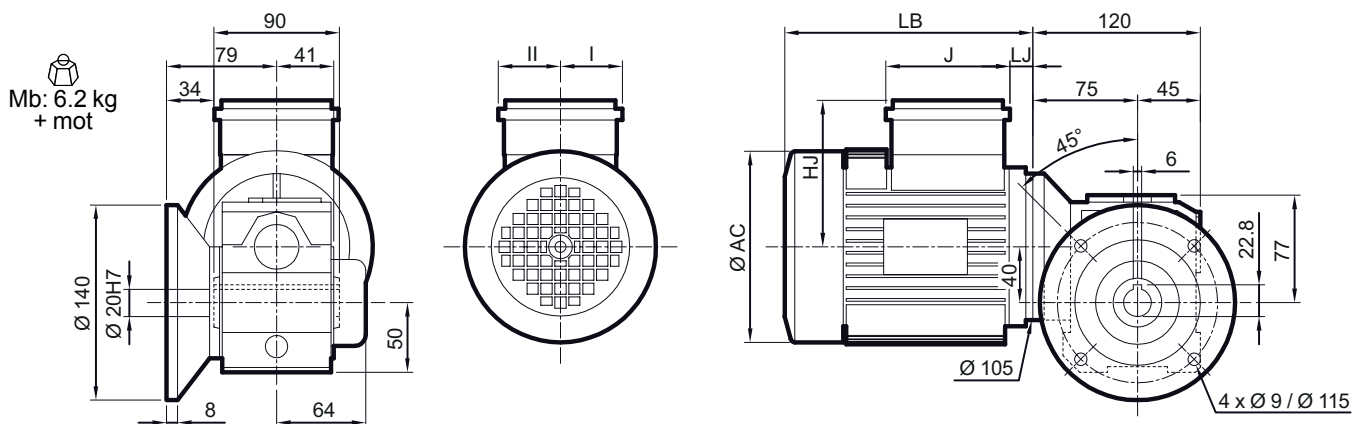
* option on right BN1 R H: identical flange and shaft



Mb: 6 kg
+ mot

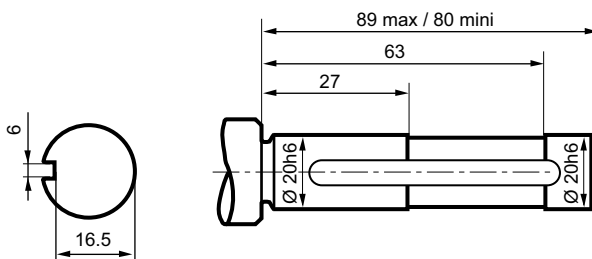
BN2 L* flange on left, H hollow shaft

* option on right BN2 R H: identical flange and shaft



Mb: 6.2 kg
+ mot

Driven shaft details



Geared motors with worm and wheel - IMfinity®

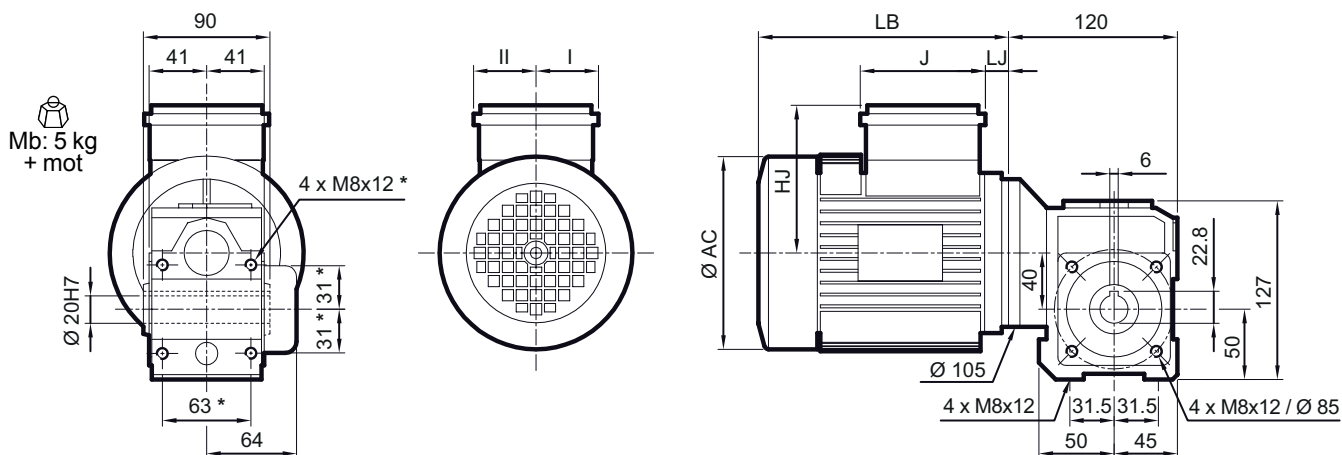
Multibloc

Hollow shaft

Dimensions of Mb 3101 - Universal Mounting MUT

NU standard form, H hollow shaft

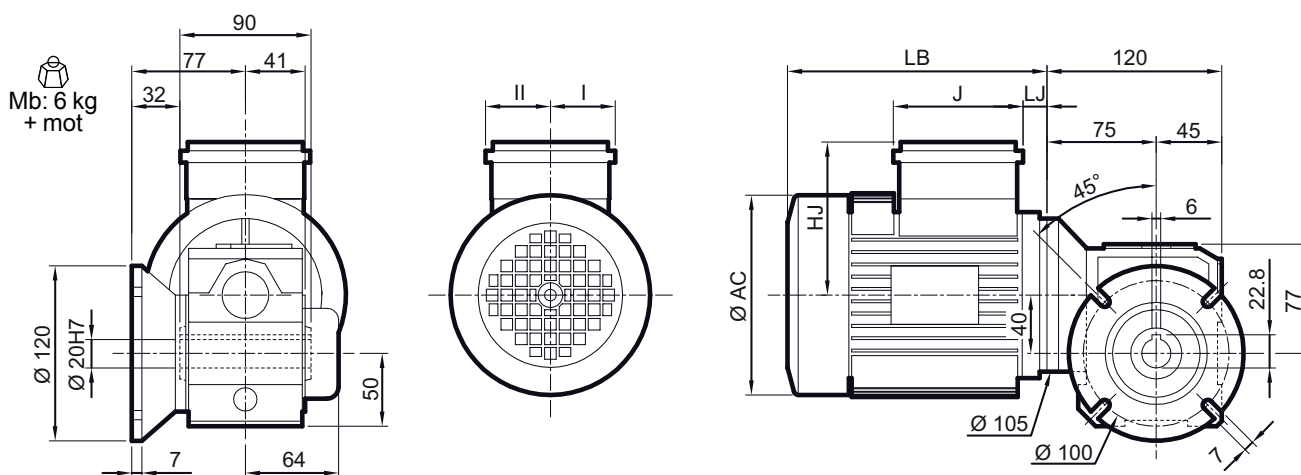
Dimensions in millimetres



* option NUF on request

BN L* flange on left, H hollow shaft

* option on right BN R H: identical right flange and shaft



Mb 3101 + IEC standard motor or + adapted motor (details page 74)

Brake type	IMfinity® three-phase 4-pole motors MUT ¹										kg ²	Brake type	IMfinity® three-phase 4-pole motors and FFB brake MUT ¹										kg ²
	AC	HJ	J	LB	LJ	PU	RU	I	II	AC			HJ	J	LB	LJ	PU	RU	I	II			
<i>LS 71 M</i>	140	109	87	186	23.5	105	0	43.5	43.5	7.3	<i>FFB1</i>	140	130	160	286	12	105	0	55	55	10.3		
<i>LS 71 L</i>	140	109	87	194	23.5	105	0	43.5	43.5	8.3	<i>FFB1</i>	140	130	160	286	12	105	0	55	55	11.3		
<i>LS 80 L³</i>	-	-	-	-	-	-	-	-	-	-	<i>FFB1</i>	170	141	160	312	14.5	105	0	55	55	11.5		
<i>LSES 80 LG³</i>	189	135	86	247	26	105	0	43	43	14.1	<i>FFB1</i>	189	151	160	389	13.5	105	0	55	55	17.1		

1. Except motors and brake motors in italics: not concerned by the IE

2. The most binding values

3. HA 80 FT85 ba 14x30 mandatory

Geared motors with worm and wheel - IMfinity®

Multibloc

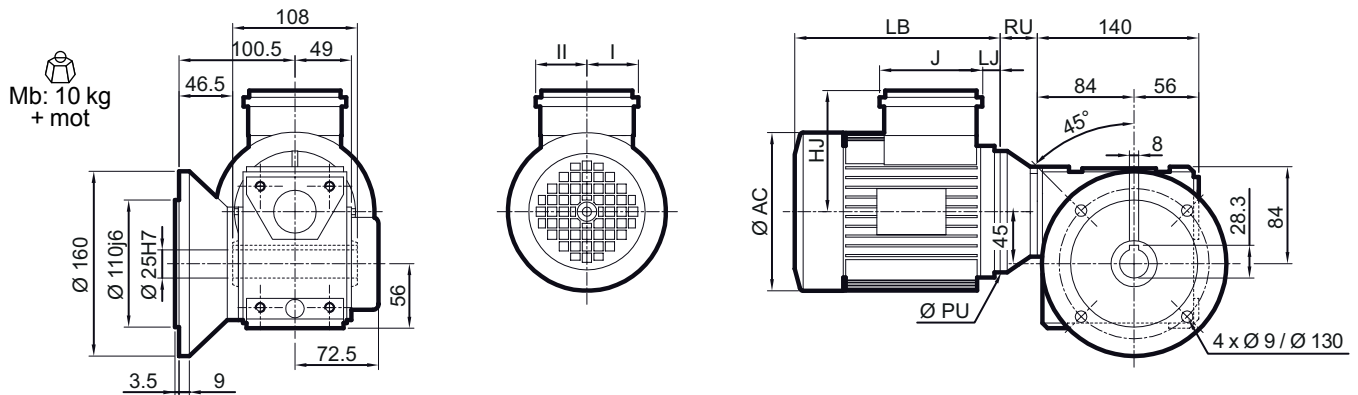
Hollow shaft

Dimensions of Mb 2201 - Universal Mounting MUT and MUF

BD L* flange on left, H hollow shaft

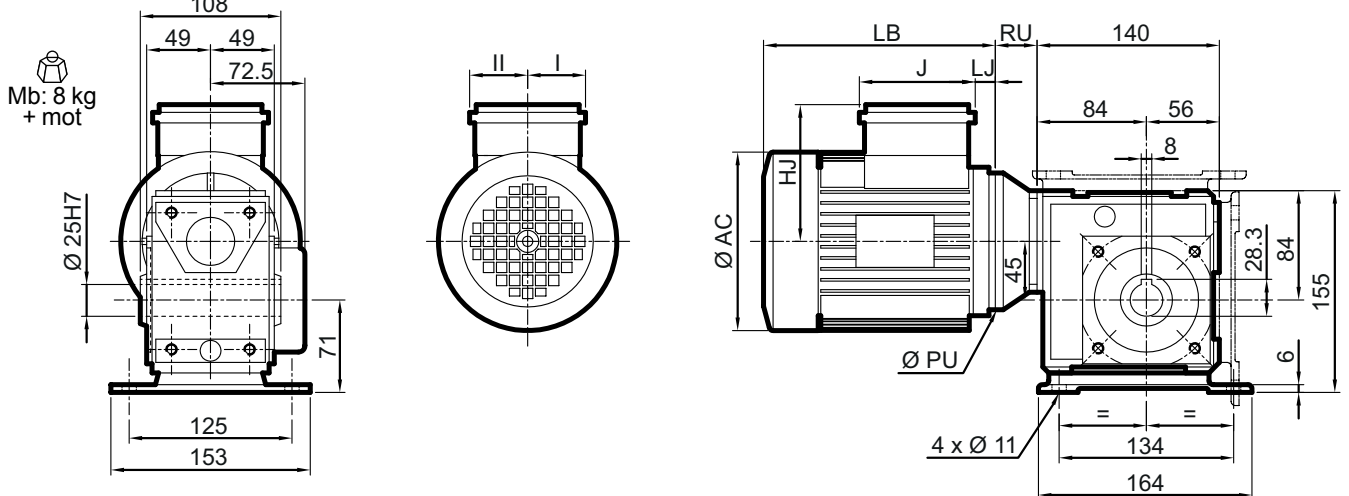
Dimensions in millimetres

* option on right BD R H: identical flange and shaft

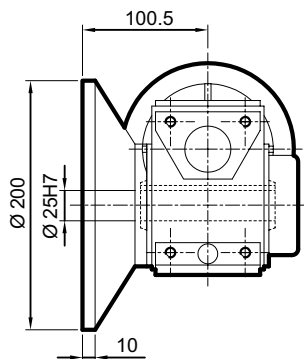


NSD* baseplate, H hollow shaft

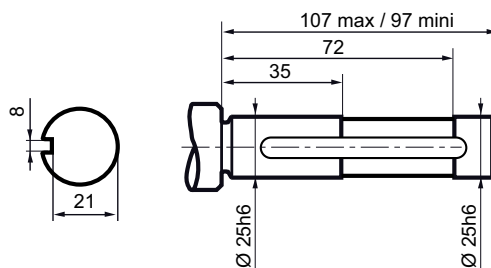
* NSF or NSU baseplate



Details BN L flange



driven shaft



Geared motors with worm and wheel - IMfinity®

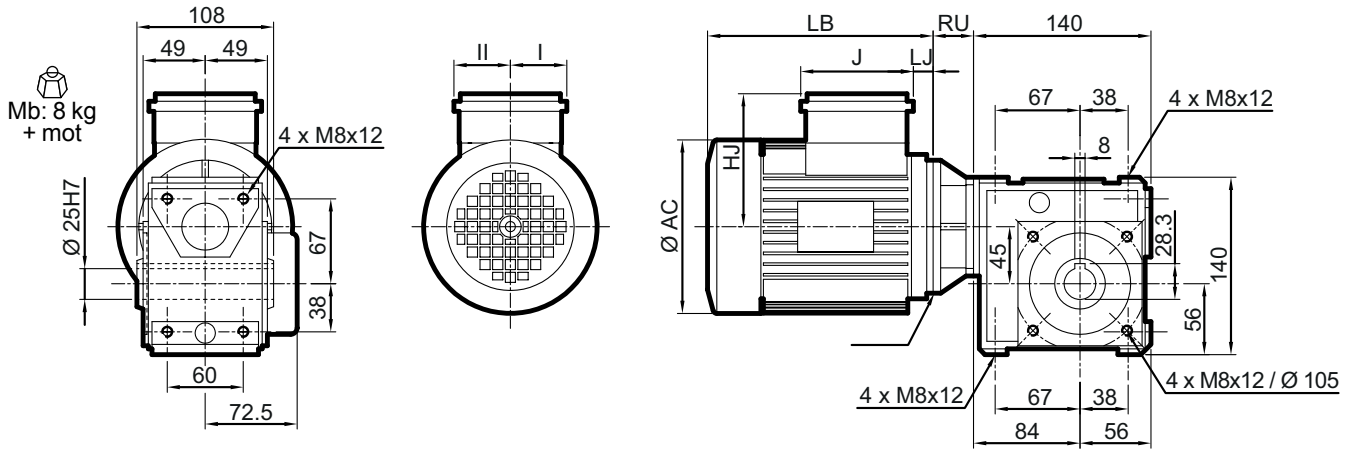
Multibloc

Hollow shaft

Dimensions of Mb 2201 - Universal Mounting MUT and MUF

NU standard form, H hollow shaft

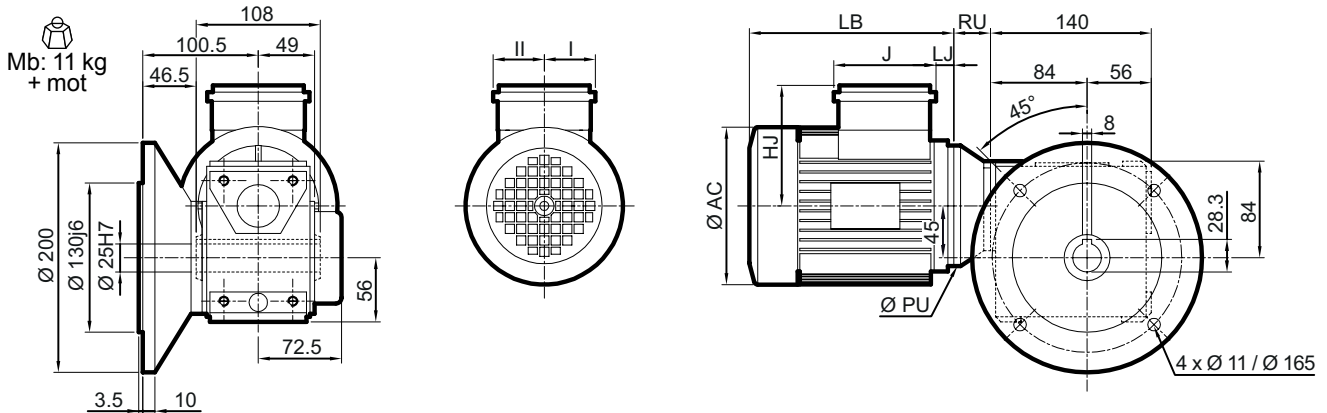
Dimensions in millimetres



BS 1 L* flange on left, H* hollow shaft

1. or BN flange: details page opposite

*option on right BS R H: identical flange and shaft



Mb 2201 + IEC standard motor or + adapted motor (details page 74)

Brake type	IMfinity® three-phase 4-pole motors MUT 1										kg ²
	AC ¹	HJ	J	LB	LJ	PU	RU	I	II		
<i>LS 71 M</i>	140	109	87	186	23.5	105	32	43.5	43.5	7.3	
<i>LS 71 L</i>	140	109	87	194	23.5	105	32	43.5	43.5	8.3	
<i>LS, LSES 80</i>	189	135	86	247	26	105	32	43	43	14.1	
<i>LS 80 L</i>	-	-	-	-	-	-	-	-	-	-	
<i>LSES 80 LG</i>	189	135	86	247	26	120	32	43	43	14.1	
<i>LS 90 SL</i>	-	-	-	-	-	-	-	-	-	-	
<i>LSES 90 SL</i>	189	135	86	247	26	120	32	43	43	16.2	
<i>LS 90 L</i>	-	-	-	-	-	-	-	-	-	-	
<i>LSES 90 L</i>	189	135	86	247	26	120	32	43	43	16.2	
<i>LSES 90 LU</i>	189	135	86	276	26	120	32	43	43	20.4	

Brake type	IMfinity® three-phase 4-pole motors and FFB brake MUT 1										kg ²
	AC ¹	HJ	J	LB	LJ	PU	RU	I	II		
<i>FFB1</i>	140	130	160	286	12	105	32	55	55	10.3	
<i>FFB1</i>	140	130	160	286	12	105	32	55	55	11.3	
<i>FFB1</i>	189	151	160	389	13.5	105	32	55	55	17.1	
<i>FFB1</i>	170	141	160	312	14.5	120	32	55	55	11.5	
<i>FFB1</i>	189	151	160	389	13.5	120	32	55	55	17.1	
<i>FFB2</i>	189	151	160	389	13.5	120	32	55	55	18.2	
<i>FFB2</i>	189	151	160	389	13.5	120	32	55	55	22.4	
<i>FFB2</i>	189	151	160	389	13.5	120	32	55	55	21	
-	-	-	-	-	-	-	-	-	-	-	
<i>FFB2</i>	189	151	160	389	13.5	120	32	55	55	26.6	

Brake type	IMfinity® three-phase 4-pole motors MUF 1										kg ²
	AC ¹	HJ	J	LB	LJ	PU	RU	I	II		
<i>LS 71 M</i>	140	109	87	186	23.5	160	24	43.5	43.5	7.3	
<i>LS 71 L</i>	140	109	87	194	23.5	160	24	43.5	43.5	8.3	
<i>LS, LSES 80</i>	189	135	86	267	46	160	24	43	43	14.1	
<i>LS 80 L</i>	-	-	-	-	-	-	-	-	-	-	
<i>LSES 80 LG</i>	189	135	86	267	46	200	31	43	43	14.1	
<i>LS, LSES 90</i>	189	135	86	296	46	160	24	43	43	20.4	
<i>LS 90 SL</i>	-	-	-	-	-	-	-	-	-	-	
<i>LSES 90 SL</i>	189	135	86	296	46	160	24	43	43	16.2	
<i>LS 90 L</i>	-	-	-	-	-	-	-	-	-	-	
<i>LSES 90 L</i>	189	135	86	296	46	160	24	43	43	16.2	
<i>LSES 90 LU</i>	189	135	86	296	46	160	24	43	43	20.4	
<i>LSES 100 L</i>	200	140	86	337	73	160	24	43	43	22.6	

Brake type	Moteurs IMfinity® three-phase 4-pole motors and FFB brake MUF 1										kg ²
	AC ¹	HJ	J	LB	LJ	PU	RU	I	II		
<i>FFB1</i>	140	130	160	286	12	160	24	55	55	10.3	
<i>FFB1</i>	140	130	160	286	12	160	24	55	55	11.3	
<i>FFB1</i>	189	151	160	409	33.5	160	24	55	55	17.1	
<i>FFB1</i>	170	141	160	312	14.5	200	31	55	55	13.9	
<i>FFB1</i>	189	151	160	409	33.5	200	31	55	55	17.1	
<i>FFB2</i>	189	151	160	409	33.5	160	24	55	55	26.6	
<i>FFB2</i>	189	151	160	409	33.5	160	24	55	55	18.2	
<i>FFB2</i>	189	151	160	409	33.5	160	24	55	55	22.4	
<i>FFB2</i>	189	151	160	409	33	160	24	55	55	20	
-	-	-	-	-	-	-	-	-	-	-	
<i>FFB2</i>	189	151	160	409	33.5	160	24	55	55	26.6	
<i>FFB2</i>	200	156	160	457	33.5	200	31	55	55	28.8	

1. Except motors and brake motors in italics: not concerned by the IE

2. The most binding values

Geared motors with worm and wheel - IMfinity®

Multibloc

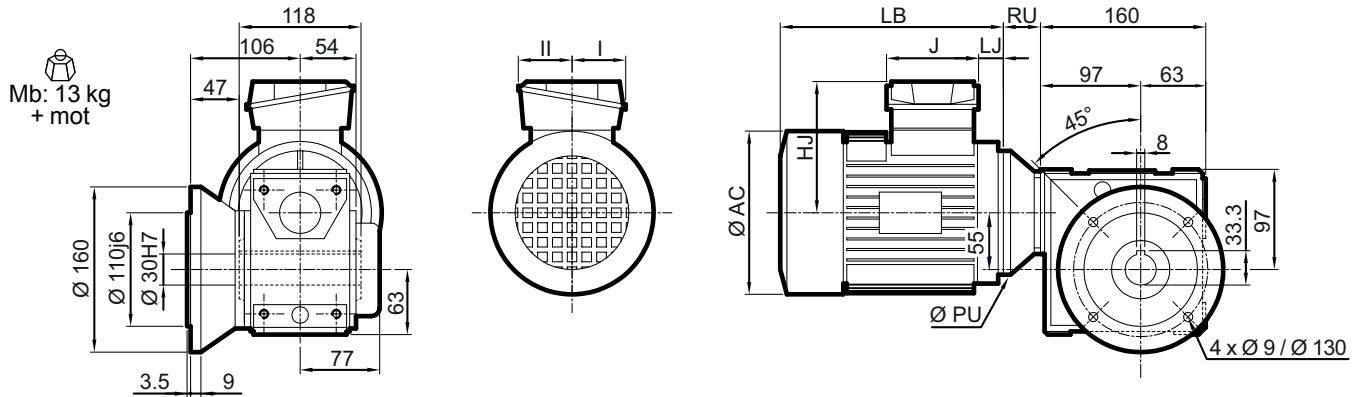
Hollow shaft

Dimensions of Mb 2301 - Universal Mounting MUT and MUF

BD L* flange on left, H hollow shaft

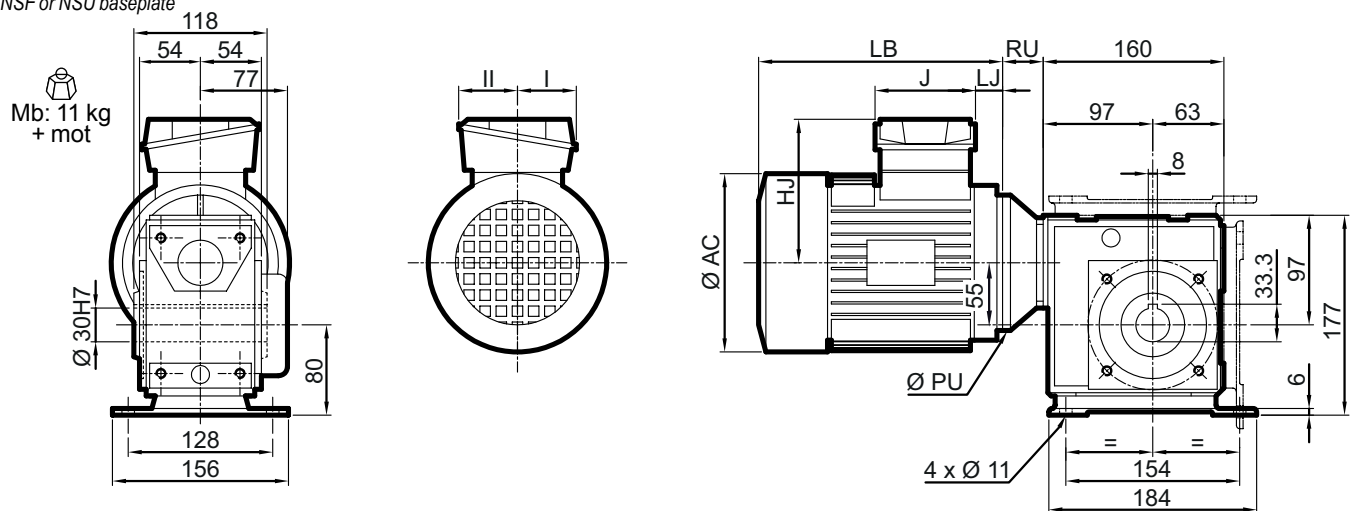
Dimensions in millimetres

* option on right BD R H: identical flange and shaft

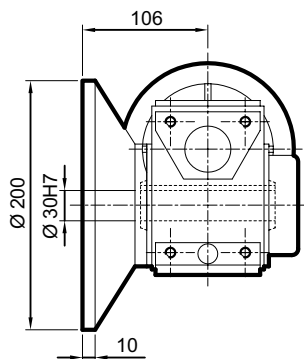


NSD* baseplate, H hollow shaft

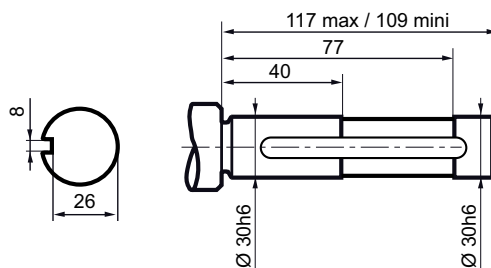
* NSF or NSU baseplate



Details BN L flange



driven shaft



Geared motors with worm and wheel - IMfinity®

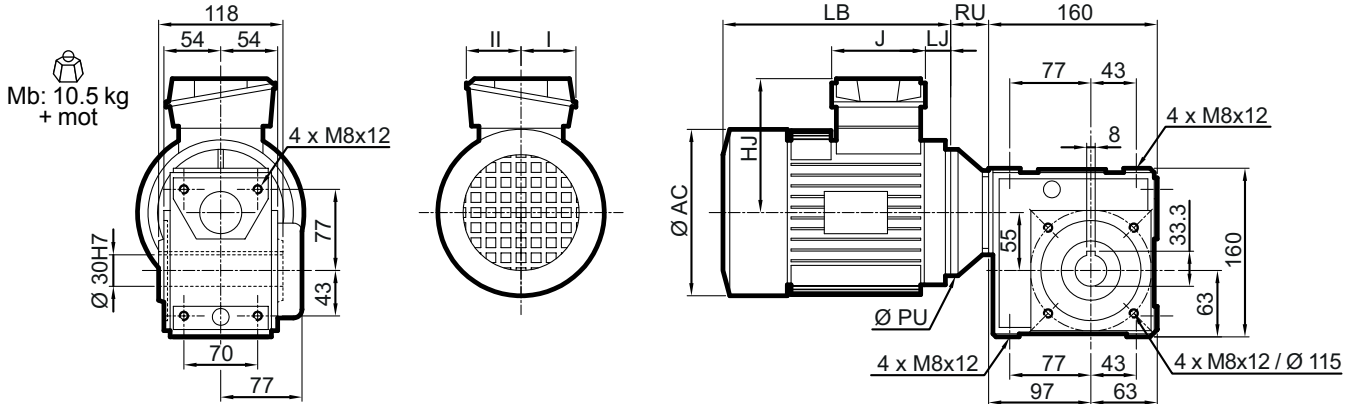
Multibloc

Hollow shaft

Dimensions of Mb 2301 - Universal Mounting MUT and MUF

NU standard form, H hollow shaft

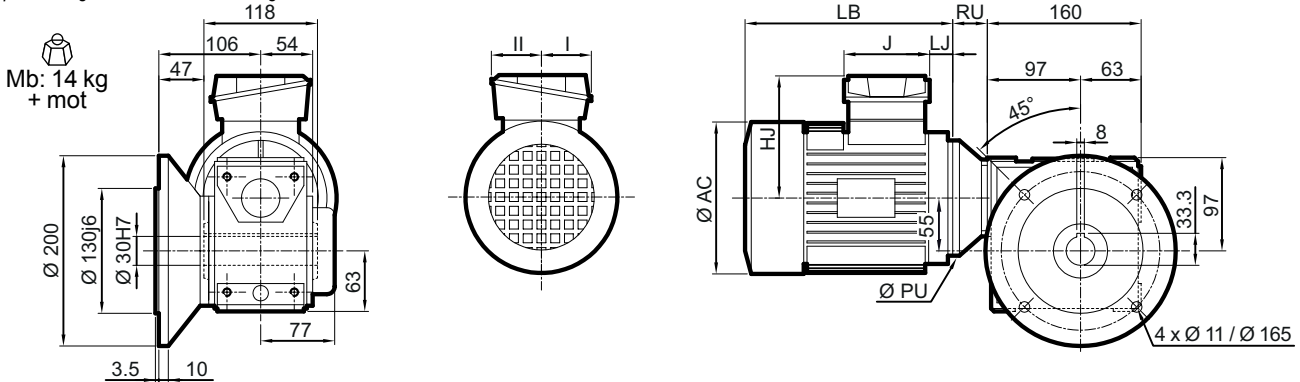
Dimensions in millimetres



BS¹ L* flange on left, H* hollow shaft

1. or BN flange: details page opposite

*option on right BS R H: identical flange and shaft



Mb 2301 + IEC standard motor or + adapted motor (details page 74)

Brake type	IMfinity® three-phase 4-pole motors MUT ¹										kg ³
	AC ²	HJ	J	LB	LJ	PU	RU	I	II		
LS 71 M	140	109	87	186	23.5	105	35	43.5	43.5	7.3	
LS 71 L	140	109	87	194	23.5	105	35	43.5	43.5	8.3	
LS, LSES 80³	189	135	86	247	26	105	35	43	43	14.1	
LS 80 L	-	-	-	-	-	-	-	-	-	-	
LSES 80 LG	189	135	86	247	26	120	36	43	43	14.1	
LS, LSES 90³	189	135	86	276	26	120	36	43	43	20.4	
LS 90 SL	-	-	-	-	-	-	-	-	-	-	
LSES 90 SL	189	135	86	245	26	140	38	43	43	16.2	
LS 90 L	-	-	-	-	-	-	-	-	-	-	
LSES 90 L	189	135	86	245	26	140	38	43	43	16.2	
LSES 90 LU	189	135	86	276	26	140	38	43	43	20.4	
LS 100 L	-	-	-	-	-	-	-	-	-	-	
LSES 100 L	200	140	86	290	26	140	38	43	43	22.6	
LSES 100 LR	200	140	86	309	26	140	38	43	43	25.8	
LSES 100 LG	235	149	86	305	26	140	38	43	43	31	
LS 112 MG	-	-	-	-	-	-	-	-	-	-	
LSES 112 MU	235	149	86	332	36	140	38	43	43	37	

Brake type	IMfinity® three-phase 4-pole motors and FFB brake MUT ¹										kg ³
	AC ²	HJ	J	LB	LJ	PU	RU	I	II		
FFB1	140	130	160	286	12	105	35	55	55	10.3	
FFB1	140	130	160	286	12	105	35	55	55	11.3	
FFB1	189	151	160	389	13.5	105	35	55	55	17.1	
FFB1	170	141	160	312	14.5	120	36	55	55	11.5	
FFB1	189	151	160	389	13.5	120	36	55	55	17.1	
FFB2	189	151	160	389	13.5	120	36	55	55	26.6	
FFB2	189	151	160	389	13.5	140	38	55	55	18.2	
FFB2	189	151	160	389	13.5	140	38	55	55	22.4	
FFB2	189	151	160	389	13.5	140	38	55	55	21	
FFB2	189	151	160	389	13.5	140	38	55	55	26.6	
FFB2	200	156	160	437	13.5	140	38	55	55	29.1	
FFB2	200	156	160	437	13.5	140	38	55	55	28.8	
FFB2	200	156	160	437	13.5	140	38	55	55	32	
FFB3	235	165	160	413	13.5	140	38	55	55	37.6	
FFB3	235	165	160	448	23.5	140	38	55	55	29.6	
FFB3	235	165	160	448	23.5	140	38	55	55	43.6	

Brake type	IMfinity® three-phase 4-pole motors MUF ¹										kg ³
	AC ²	HJ	J	LB	LJ	PU	RU	I	II		
LS 71 M	140	109	87	186	23.5	160	24	43.5	43.5	7.3	
LS 71 L	140	109	87	194	23.5	160	24	43.5	43.5	8.3	
LS, LSES 80³	189	135	86	267	46	160	24	43	43	14.1	
LS 80 L	-	-	-	-	-	-	-	-	-	-	
LSES 80 LG	189	135	86	267	46	200	31	43	43	14.1	
LS 90 SL	-	-	-	-	-	-	-	-	-	-	
LSES 90 SL	189	135	86	265	46	200	31	43	43	16.2	
LS 90 L	-	-	-	-	-	-	-	-	-	-	
LSES 90 L	189	135	86	265	46	200	31	43	43	16.2	
LSES 90 LU	189	135	86	296	-	200	31	43	43	20.4	
LS 100 L	-	-	-	-	-	-	-	-	-	-	
LSES 100 L	200	140	86	337	73	200	31	43	43	22.6	
LSES 100 LR	200	140	86	356	73	200	31	43	43	25.8	
LSES 100 LG	235	149	86	352	73	200	31	43	43	31	
LS 112 MG	-	-	-	-	-	-	-	-	-	-	
LSES 112 MU	235	149	86	361	65	200	31	43	43	37	

Brake type	Moteurs IMfinity® three-phase 4-pole motors and FFB brake MUF ¹										kg ³
	AC ²	HJ	J	LB	LJ	PU	RU	I	II		
FFB1	140	130	160	286	12	160	24	55	55	10.3	
FFB1	140	130	160	286	12	160	24	55	55	11.3	
FFB1	189	151	160	409	33.5	160	24	55	55	17.1	
FFB1	170	141	160	312	13.5	200	31	55	55	13.9	
FFB1	189	151	160	409	33.5	200	31	55	55	17.1	
FFB2	189	151	160	409	33.5	200	31	55	55	18.2	
FFB2	189	151	160	409	33.5	200	31	55	55	22.4	
FFB2	189	151	160	409	33.5	200	31	55	55	20	
FFB2	189	151	160	409	33.5	200	31	55	55	26.6	
FFB2, 3	200	156	160	457	33.5	200	31	55	55	29.1	
FFB2	200	156	160	457	33.5	200	31	55	55	28.8	
FFB2	200	156	160	484	60.5	200	31	55	55	32	
FFB3	235	165	160	460	60.5	200	31	55	55	37.6	
FFB3	235	165	160	477	52.5	200	31	55	55	29.6	
FFB3	235	165	160	477	52.5	200	31	55	55	43.6	

1. Except motors and brake motors in italics: not concerned by the IE 2. Housing diameter without lifting rings 3. The most binding values

Geared motors with worm and wheel - IMfinity®

Multibloc

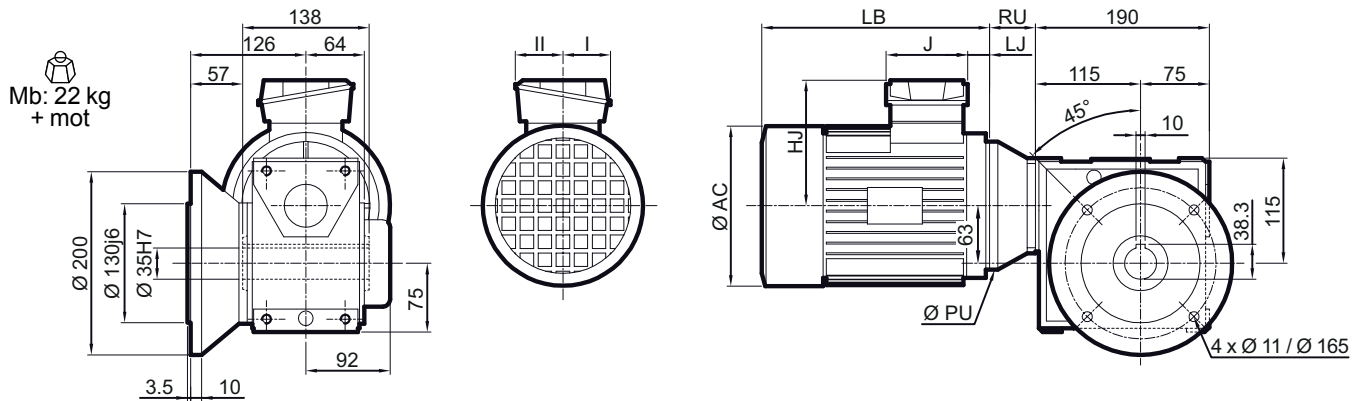
Hollow shaft

Dimensions of Mb 2401 - Universal Mounting MUT and MUF

BD L* flange on left, H hollow shaft

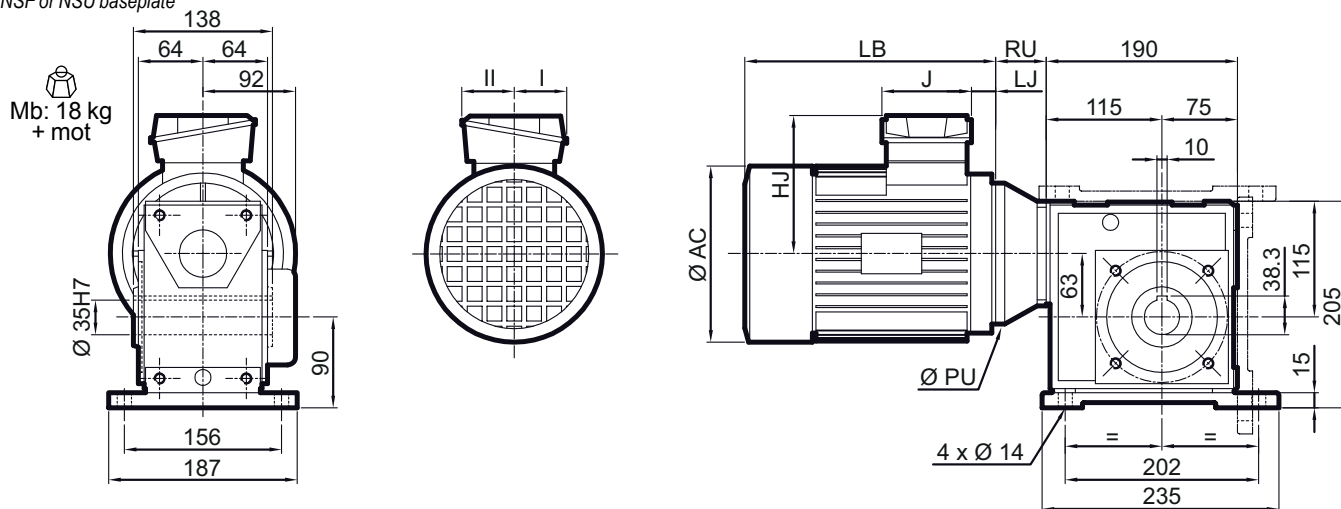
Dimensions in millimetres

* option on right BD R H: identical flange and shaft

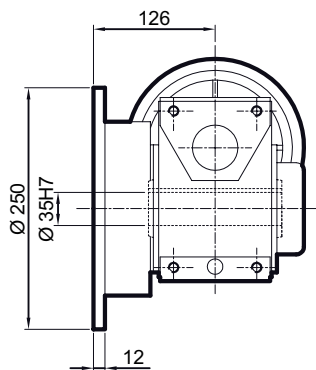


NSD* baseplate, H hollow shaft

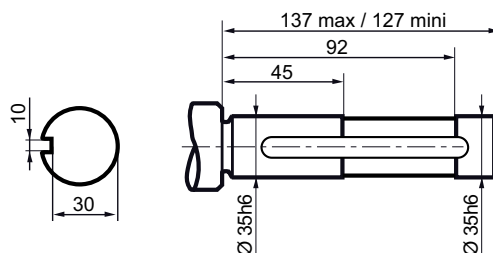
* NSF or NSU baseplate



Details BN L flange



driven shaft



Geared motors with worm and wheel - IMfinity®

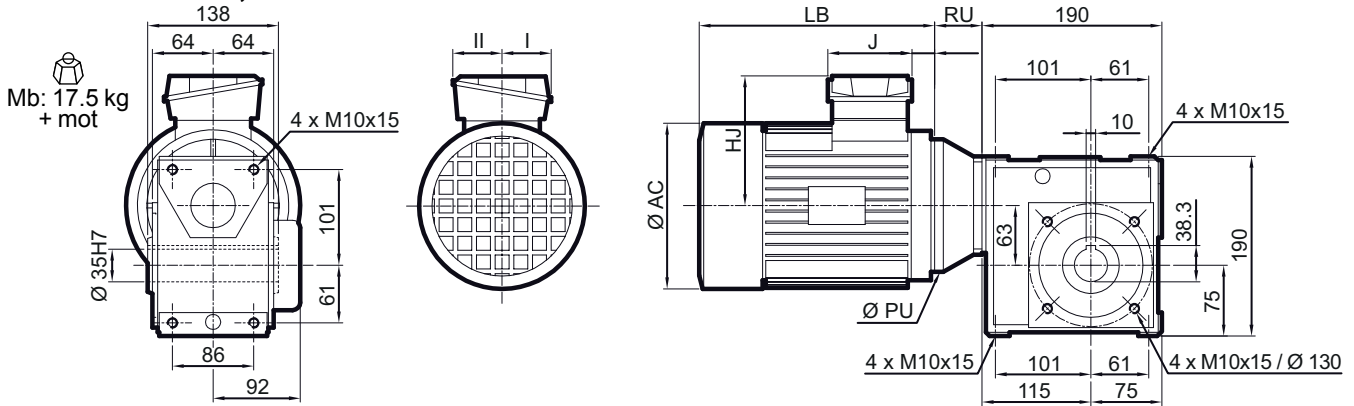
Multibloc

Hollow shaft

Dimensions of Mb 2401 - Universal Mounting MUT and MUF

NU standard form, H hollow shaft

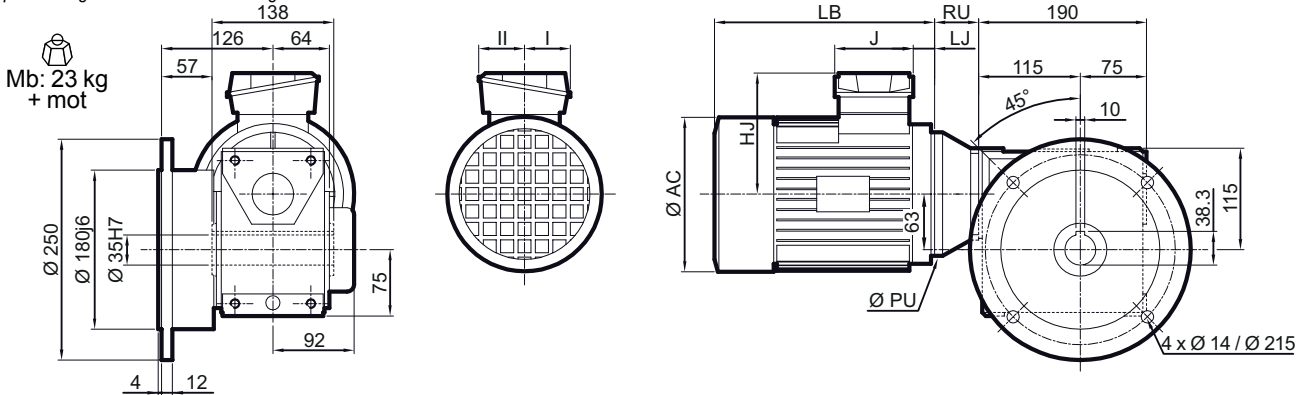
Dimensions in millimetres



BS¹ L* flange on left, H* hollow shaft

1. or BN flange: details page opposite

* option on right BS R H: identical flange and shaft



Mb 2401 + IEC standard motor or + adapted motor (details page 74)

Brake type	IMfinity® three-phase 4-pole motors MUT ¹										kg ³
	AC ²	HJ	J	LB	LJ	PU	RU	I	II		
<i>LS 80 L</i>	-	-	-	-	-	-	-	-	-	-	-
LSES 80 LG	189	135	86	247	26	120	50	43	43	14.1	
LS LSES 90 ³	189	135	86	276	26	120	50	43	43	20.4	
<i>LS 90 SL</i>	-	-	-	-	-	-	-	-	-	-	
LSES 90 SL	189	135	86	245	26	140	50	43	43	16.2	
<i>LS 90 L</i>	-	-	-	-	-	-	-	-	-	-	
LSES 90 L	189	135	86	245	26	140	50	43	43	16.2	
LSES 90 LU	189	135	86	276	26	140	50	43	43	20.4	
LS LSES 100 ³	235	149	86	305	26	140	50	43	43	31	
<i>LS 100 L</i>	-	-	-	-	-	-	-	-	-	-	
LSES 100 L	200	140	86	290	26	160	50	43	43	22.6	
LSES 100 LR	200	140	86	309	26	160	50	43	43	25.8	
LSES 100 LG	235	149	86	305	26	160	50	43	43	31	
<i>LS 112 MG</i>	-	-	-	-	-	-	-	-	-	-	
LSES 112 MU	235	149	86	332	36	160	50	43	43	37	
<i>LS 132 S</i>	-	-	-	-	-	-	-	-	-	-	
LSES 132 SU	227	172	126	383	32	160	50	63	63	42.1	
LSES 132 SM	272	190	126	385	17	160	50	63	63	52	

Brake type	IMfinity® three-phase 4-pole motors and FFB brake MUT ¹										kg ³
	AC ²	HJ	J	LB	LJ	PU	RU	I	II		
<i>FFB1</i>	170	141	160	312	14.5	120	50	55	55	11.5	
FFB1	189	151	160	389	13.5	120	50	55	55	17.1	
<i>FFB2</i>	189	151	160	389	13.5	120	50	55	55	22.4	
FFB2	189	151	160	389	13.5	140	50	55	55	18.2	
<i>FFB2</i>	189	151	160	389	13.5	140	50	55	55	22.4	
<i>FFB2</i>	189	151	160	389	13.5	140	50	55	55	21	
-	-	-	-	-	-	-	-	-	-	-	
FFB2	189	151	160	389	13.5	140	50	55	55	26.6	
FFB2 ³	235	165	160	413	13.5	140	50	55	55	37.6	
<i>FFB2</i>	200	156	160	437	13.5	160	50	55	55	29.1	
FFB2	200	156	160	437	13.5	160	50	55	55	28.8	
<i>FFB2</i>	200	156	160	437	13.5	160	50	55	55	32	
FFB3	235	165	160	413	13.5	160	50	55	55	37.6	
<i>FFB3</i>	235	165	160	448	23.5	160	50	55	55	29.6	
FFB3	235	165	160	448	23.5	160	50	55	55	43.6	
<i>FFB3</i>	227	168	160	489	40.5	160	50	55	55	44.6	
-	-	-	-	-	-	-	-	-	-	-	
FFB4	272	186	160	596	25.5	160	50	55	55	66.5	

Brake type	IMfinity® three-phase 4-pole motors MUF ¹										kg ³
	AC ²	HJ	J	LB	LJ	PU	RU	I	II		
<i>LS 71 M</i>	140	109	87	186	23.5	160	50	43.5	43.5	7.3	
LS 71 L	140	109	87	194	23.5	160	50	43.5	43.5	8.3	
<i>LS 80 L</i>	-	-	-	-	-	-	-	-	-	-	
LSES 80 LG	189	135	86	267	46	200	50	43	43	14.1	
<i>LS 90 SL</i>	-	-	-	-	-	-	-	-	-	-	
LSES 90 SL	189	135	86	265	46	200	50	43	43	16.2	
<i>LS 90 L</i>	-	-	-	-	-	-	-	-	-	-	
LSES 90 L	189	135	86	265	46	200	50	43	43	16.2	
LSES 90 LU	189	135	86	296	46	200	50	43	43	20.4	
LS LSES 100 ³	235	149	86	352	73	200	50	43	43	31	
<i>LS 100 L</i>	-	-	-	-	-	-	-	-	-	-	
LSES 100 L	200	140	86	290	26	250	50	43	43	22.6	
LSES 100 LR	200	140	86	309	26	250	50	43	43	25.8	
LSES 100 LG	235	149	86	352	73	250	50	43	43	31	
LS LSES 112 ³	235	149	86	361	65	200	50	43	43	37	
<i>LS 112 MG</i>	-	-	-	-	-	-	-	-	-	-	
LSES 112 MU	235	149	86	332	36	250	50	43	43	37	
<i>LS 132 S</i>	-	-	-	-	-	-	-	-	-	-	
LSES 132 SU	227	172	126	383	32	200	50	63	63	42.1	
LSES 132 SM	272	190	126	425	57	200	50	63	63	52	

Brake type	Moteurs IMfinity® three-phase 4-pole motors and FFB brake MUF ¹										kg ³
	AC ²	HJ	J	LB	LJ	PU	RU	I	II		
<i>FFB1</i>	140	130	160	286	12	160	50	55	55	10.3	
FFB1	140	130	160	286	12	160	50	55	55	11.3	
<i>FFB1</i>	170	141	160	312	14.5	200	50	55	55	13.9	
FFB1	189	151	160	409	33.5	200	50	55	55	17.1	
<i>FFB2</i>	189	151	160	409	33.5	200	50	55	55	18.2	
FFB2	189	151	160	409	33.5	200	50	55	55	22.4	
<i>FFB2</i>	189	151	160	409	33	200	50	55	55	20	
-	-	-	-	-	-	-	-	-	-	-	
FFB2	189	151	160	409	33.5	200	50	55	55	26.6	
FFB2 ³	235	165	160	460	60.5	200	50	55	55	37.6	
<i>FFB2</i>	200	156	160	437	13.5	250	50	55	55	29.1	
FFB2	200	156	160	437	13.5	250	50	55	55	28.8	
<i>FFB2</i>	200	156	160	437	13.5	250	50	55	55	32	
FFB3	235	165	160	413	13.5	250	50	55	55	37.6	
<i>FFB3</i>	235	165	160	477	52.5	200	50	55	55	46.3	
FFB3	235	165	160	448	23.5	250	50	55	55	29.6	
<i>FFB3</i>	235	165	160	448	23.5	250	50	55	55	43.6	
<i>FFB3</i>	227	168	160	489	40.5	200	50	55	55	44.6	
-	-	-	-	-	-	-	-	-	-	-	
FFB4	272	186	160	636	65.5	200	50	55	55	66.5	

1. Except motors and brake motors in italics: not concerned by the IE 2. Housing diameter without lifting rings 3. The most binding values

Geared motors with worm and wheel - IMfinity®

Multibloc

Hollow shaft

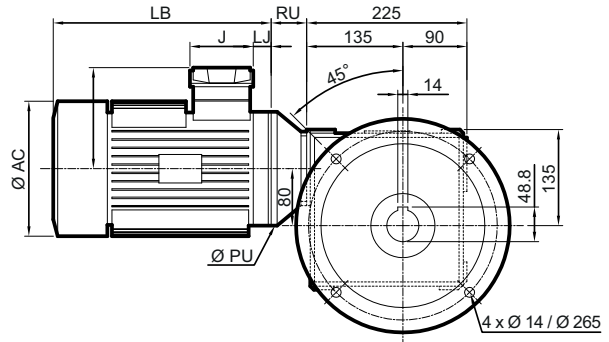
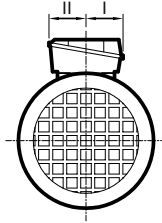
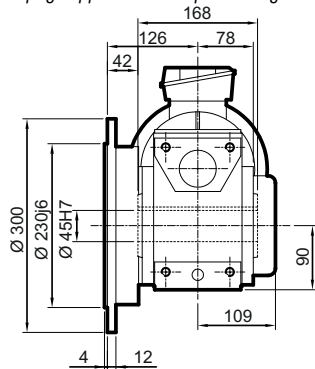
Dimensions of Mb 2501 - Universal Mounting MUT and MUF

Dimensions in millimetres

BS¹ L* flange on left, H* hollow shaft

1. or BN flange: details page opposite * option on right BS R H: identical flange and shaft

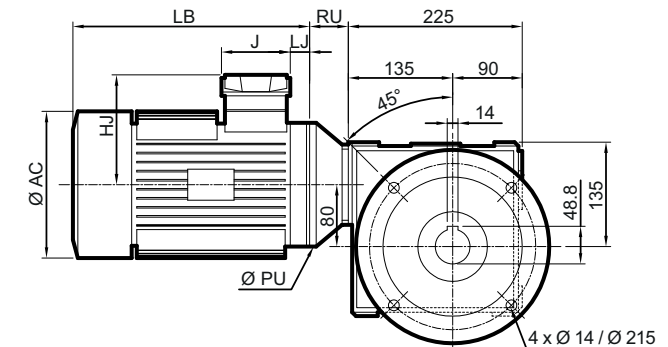
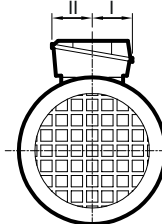
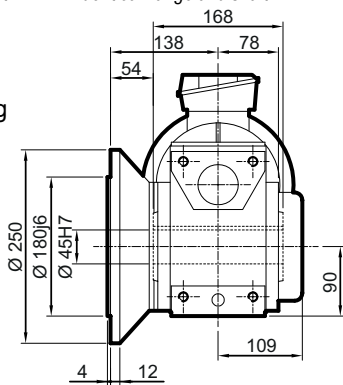
Mb: 38 kg
+ mot



BD L* flange on left, H hollow shaft

* option on right BD R H: identical flange and shaft

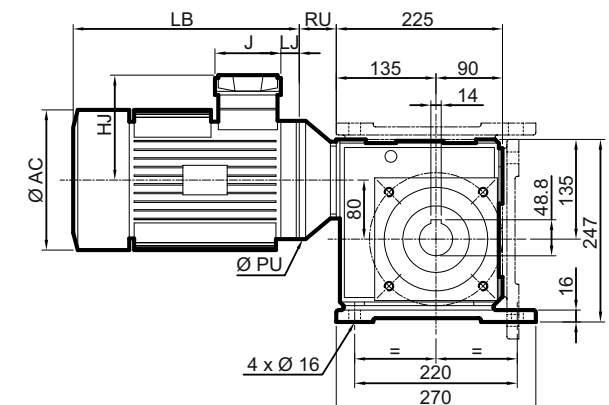
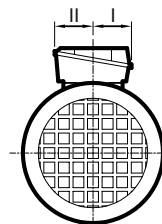
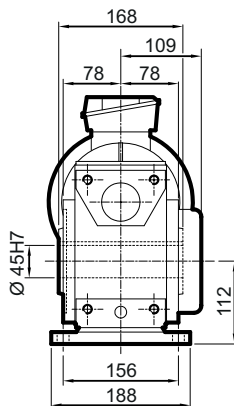
Mb: 37 kg
+ mot



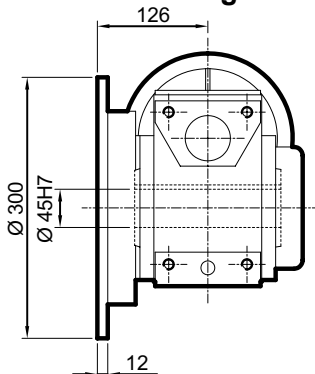
NSD* baseplate, H hollow shaft

* NSF or NSU baseplate

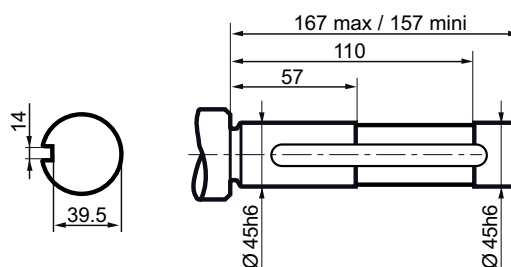
Mb: 34 kg
+ mot



Details BN L flange



driven shaft



Geared motors with worm and wheel - IMfinity®

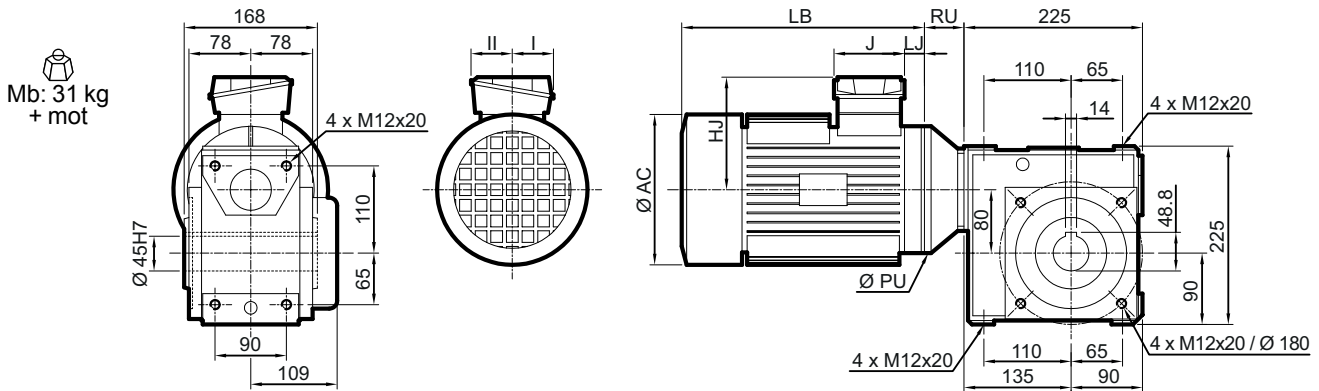
Multibloc

Hollow shaft

Dimensions of Mb 2501 - Universal Mounting MUT and MUF

NU standard form, H hollow shaft

Dimensions in millimetres



Mb: 31 kg + mot

Mb 2501 + IEC standard motor or + adapted motor (details page 74)

Brake type	IMfinity® three-phase 4-pole motors MUT ¹									kg ³
	AC ²	HJ	J	LB	LJ	PU	RU	I	II	
LS 80 L	-	-	-	-	-	-	-	-	-	-
LSES 80 LG	189	135	86	247	26	120	50	43	43	14.1
LS, LSES 90	189	135	86	276	26	120	50	43	43	20.4
LS 90 SL	-	-	-	-	-	-	-	-	-	-
LSES 90 SL	189	135	86	245	26	140	50	43	43	16.2
LS 90 L	-	-	-	-	-	-	-	-	-	-
LSES 90 L	189	135	86	245	26	140	50	43	43	16.2
LSES 90 LU	189	135	86	276	26	140	50	43	43	20.4
LS, LSES 100 ³	235	149	86	305	26	140	50	43	43	31
LS 100 L	-	-	-	-	-	-	-	-	-	-
LSES 100 L	200	140	86	290	27	160	50	43	43	22.6
LSES 100 LR	200	140	86	309	27	160	50	43	43	25.8
LSES 100 LG	235	149	86	305	26	160	50	43	43	31
LS, LSES 112 ³	235	149	86	332	36	140	50	43	43	37
LS 112 MG	-	-	-	-	-	-	-	-	-	-
LSES 112 MU	235	149	86	332	36	160	50	43	43	37
LS 132 S	-	-	-	-	-	-	-	-	-	-
LSES 132 SU	227	172	126	383	32	160	50	63	63	42.1
LSES 132 SM	272	190	126	385	17	160	50	63	63	52
LS 132 M	-	-	-	-	-	-	-	-	-	-
LSES 132 M	272	190	126	385	17	160	50	63	63	59.1
LSES 132 MU	272	190	126	412	17	160	50	63	63	62.6
LSES 160 MR	272	190	126	495	59	160	50	63	63	77.8

Brake type	IMfinity® three-phase 4-pole motors and FFB brake MUT ¹									kg ³
	AC ²	HJ	J	LB	LJ	PU	RU	I	II	
FFB1	170	141	160	312	14.5	120	50	55	55	11.5
FFB1	189	151	160	389	13.5	120	50	55	55	17.1
FFB2	189	151	160	389	13.5	120	50	55	55	22.4
FFB2	189	151	160	389	13.5	140	50	55	55	18.2
FFB2	189	151	160	389	13.5	140	50	55	55	22.4
FFB2	189	151	160	389	13.5	140	50	55	55	21
FFB2	189	151	160	389	13.5	140	50	55	55	26.6
FFB2, 3	235	165	160	413	13.5	140	50	55	55	37.6
FFB2	200	156	160	437	13.5	160	50	55	55	29.1
FFB2	200	156	160	437	13.5	160	50	55	55	28.8
FFB2	200	156	160	437	13.5	160	50	55	55	32
FFB3	235	165	160	413	13.5	160	50	55	55	37.6
FFB3	235	165	160	448	23.5	140	50	55	55	43.6
FFB3	235	165	160	448	23.5	160	50	55	55	29.6
FFB3	235	165	160	448	23.5	160	50	55	55	43.6
FFB3	227	168	160	489	40.5	160	50	55	55	44.6
FFB4	272	186	160	596	25.5	160	50	55	55	66.5
FFB4	272	186	160	596	25.5	160	50	55	55	67.4
FFB4	272	186	160	596	25.5	160	50	55	55	77.1
FFB4	272	186	160	671	67.5	160	50	55	55	92.3

Brake type	IMfinity® three-phase 4-pole motors MUF ¹									kg ³
	AC ²	HJ	J	LB	LJ	PU	RU	I	II	
LS 80 L	-	-	-	-	-	-	-	-	-	-
LSES 80 LG	189	135	86	267	46	200	50	43	43	14.1
LS 90 SL	-	-	-	-	-	-	-	-	-	-
LSES 90 SL	189	135	86	265	46	200	50	43	43	16.2
LS 90 L	-	-	-	-	-	-	-	-	-	-
LSES 90 L	189	135	86	265	46	200	50	43	43	16.2
LSES 90 LU	189	135	86	296	46	200	50	43	43	20.4
LS, LSES 100 ³	235	149	86	352	73	200	50	43	43	31
LS 100 L	-	-	-	-	-	-	-	-	-	-
LSES 100 L	200	140	86	290	26	250	51	43	43	22.6
LSES 100 LR	200	140	86	309	26	250	51	43	43	25.8
LSES 100 LG	235	149	86	305	26	250	51	43	43	31
LS, LSES 112 ³	235	149	86	361	65	200	50	43	43	37
LS 112 MG	-	-	-	-	-	-	-	-	-	-
LSES 112 MU	235	149	86	332	36	250	51	43	43	37
LS, LSES 132 ³	272	190	126	452	57	200	50	63	63	62.6
LS 132 S	-	-	-	-	-	-	-	-	-	-
LSES 132 SU	227	172	126	383	32	250	51	63	63	42.1
LSES 132 SM	272	190	126	425	57	250	51	63	63	52
LS 132 M	-	-	-	-	-	-	-	-	-	-
LSES 132 M	272	190	126	425	57	250	51	63	63	59.1
LSES 132 MU	272	190	126	452	57	250	51	63	63	62.6
LSES 160 MR	272	190	126	495	59	250	51	63	63	77.8

Brake type	Moteurs IMfinity® three-phase 4-pole motors and FFB brake MUF ¹									kg ³
	AC ²	HJ	J	LB	LJ	PU	RU	I	II	
FFB1	170	141	160	312	14.5	200	50	55	55	13.9
FFB1	189	151	160	409	34.5	200	50	55	55	17.1
FFB2	189	151	160	409	33.5	200	50	55	55	18.2
FFB2	189	151	160	409	33.5	200	50	55	55	22.4
FFB2	189	151	160	409	33	200	50	55	55	20
FFB2	189	151	160	409	33.5	200	50	55	55	26.6
FFB3	235	165	160	460	60.5	200	50	55	55	37.6
FFB2, 3	200	156	160	437	13.5	250	51	55	55	29.1
FFB2	200	156	160	437	13.5	250	51	55	55	28.8
FFB2	200	156	160	437	13.5	250	51	55	55	32
FFB3	235	165	160	413	13.5	250	51	55	55	37.6
FFB3	235	165	160	477	52.5	200	50	55	55	43.6
FFB3	235	165	160	448	23.5	250	51	55	55	29.6
FFB3	235	165	160	448	23.5	250	51	55	55	43.6
FFB4	272	186	160	636	65.5	200	50	55	55	77.1
FFB3	227	168	160	489	40.5	250	51	55	55	44.6
FFB4	272	186	160	636	65.5	250	51	55	55	66.5
FFB4	272	186	160	636	65.5	250	51	55	55	67.4
FFB4	272	186	160	636	65.5	250	51	55	55	77.1
FFB4	272	186	160	671	67.5	250	51	55	55	92.3

1. Except motors and brake motors in italics: not concerned by the IE

2. Housing diameter without lifting rings

3. The most binding values

Geared motors with worm and wheel - IMfinity®

Multibloc

Hollow shaft

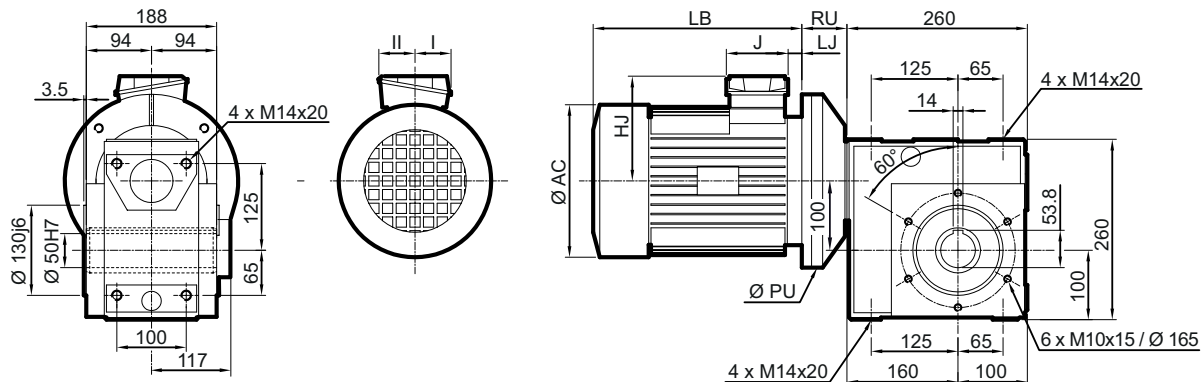
Dimensions of Mb 2601 - Universal Mounting MUT and MUF

Dimensions in millimetres

BT* form, H* hollow shaft

* option

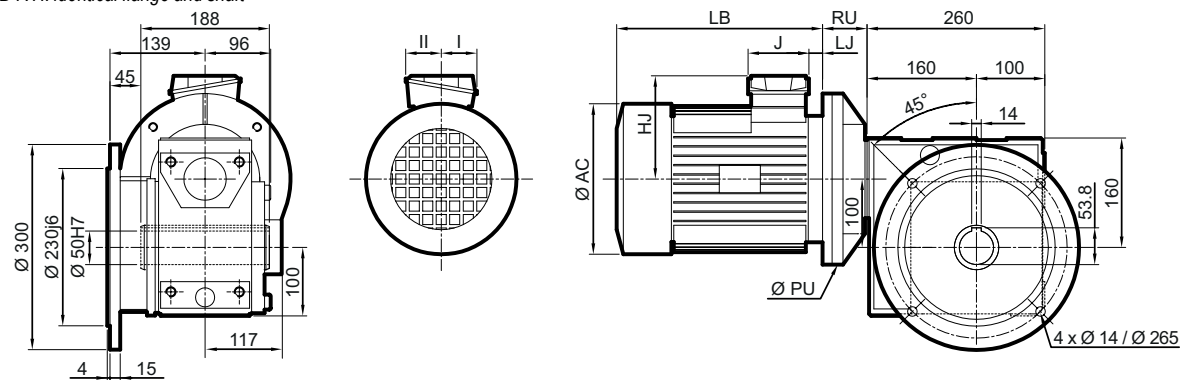
Mb: 40 kg
+ mot



BD L* flange on left, H hollow shaft

* option on right BD R H: identical flange and shaft

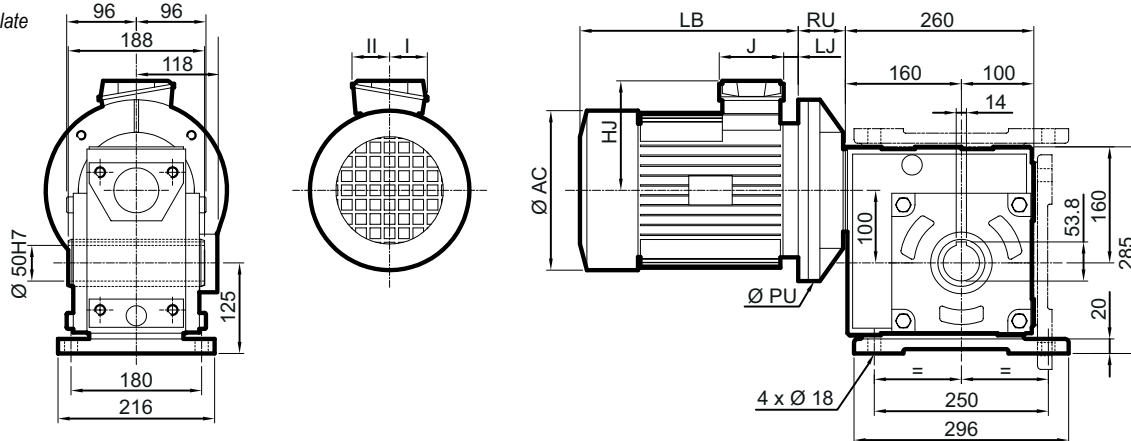
Mb: 56 kg
+ mot



NSD* baseplate, H hollow shaft

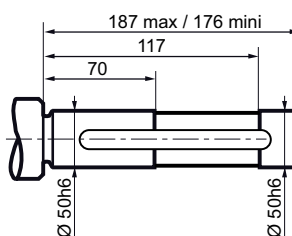
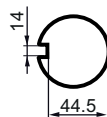
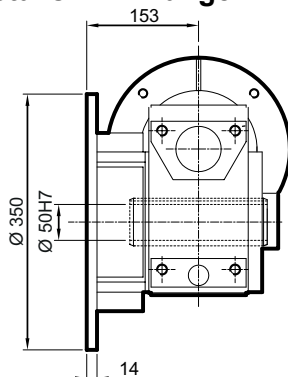
* NSF or NSU baseplate

Mb: 44 kg
+ mot



Details BN L flange

driven shaft



Geared motors with worm and wheel - IMfinity®

Multibloc

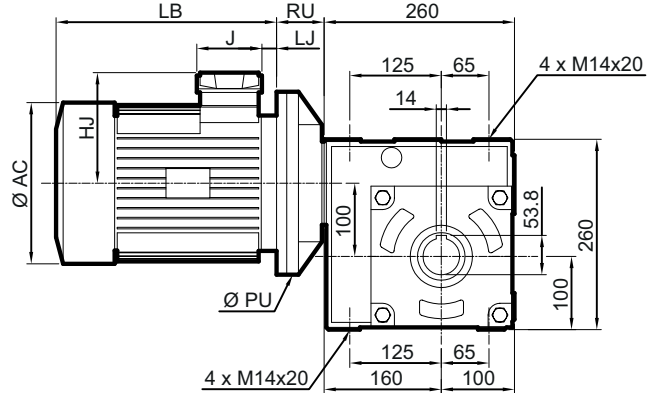
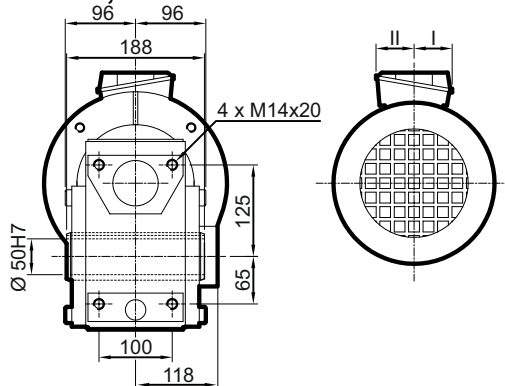
Hollow shaft

Dimensions of Mb 2601 - Universal Mounting MUT and MUF

NU standard form, H hollow shaft

Dimensions in millimetres

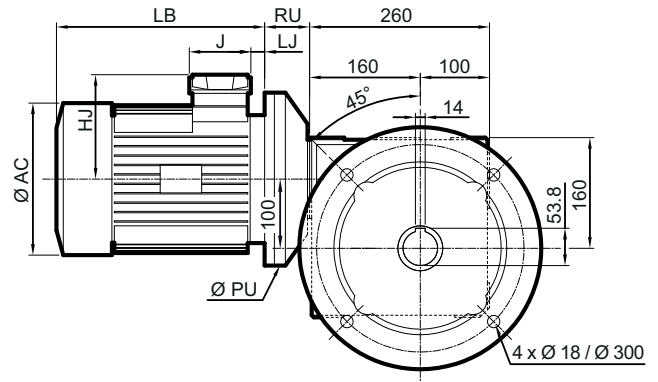
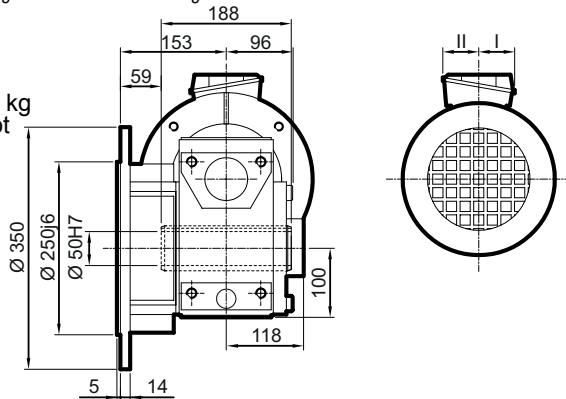
Mb: 37 kg + mot



BN L* flange on left*, H hollow shaft*

* option on right BS R H: identical flange and shaft

Mb: 47 kg + mot



Mb 2601 + IEC standard motor or + adapted motor (details page 74)

Brake type	IMfinity® three-phase 4-pole motors MUT ¹										kg ³
	AC ²	HJ	J	LB	LJ	PU	RU	I	II		
<i>LS 132 S</i>	-	-	-	-	-	-	-	-	-	-	-
LSES 132 SU	227	172	126	383	32	250	51	63	63	42.1	
LSES 132 SM	272	190	126	385	17	250	51	63	63	52	
<i>LS 132 M</i>	-	-	-	-	-	-	-	-	-	-	
LSES 132 M	272	190	126	385	17	250	51	63	63	59.1	
LSES 132 MU	272	190	126	412	17	250	51	63	63	62.6	

Brake type	IMfinity® three-phase 4-pole motors and FFB brake MUT ¹										kg ³
	AC ²	HJ	J	LB	LJ	PU	RU	I	II		
<i>FFB3</i>	227	168	160	489	40.5	250	51	55	55	44.6	
-	-	-	-	-	-	-	-	-	-	-	
<i>FFB4</i>	272	186	160	596	25.5	250	51	55	55	66.5	
<i>FFB4</i>	272	186	160	596	25.5	250	51	55	55	67.4	
-	-	-	-	-	-	-	-	-	-	-	
<i>FFB4</i>	272	186	160	596	25.5	250	51	55	55	77.1	

Brake type	IMfinity® three-phase 4-pole motors MUF ¹										kg ³
	AC ²	HJ	J	LB	LJ	PU	RU	I	II		
<i>LS 90 SL</i>	-	-	-	-	-	-	-	-	-	-	
LSES 90 SL	189	135	86	265	26	200	59	43	43	16.2	
<i>LS 90 L</i>	-	-	-	-	-	-	-	-	-	-	
LSES 90 L	189	135	86	265	26	200	59	43	43	16.2	
LSES 90 LU	189	135	86	296	26	200	59	43	43	20.4	
<i>LS, LSES 100³</i>	235	149	86	352	73	200	59	43	43	31	
<i>LS 100 L</i>	-	-	-	-	-	-	-	-	-	-	
LSES 100 L	200	140	86	290	26	250	51	43	43	22.6	
LSES 100 LR	200	140	86	309	26	250	51	43	43	25.8	
LSES 100 LG	235	149	86	305	26	250	51	43	43	31	
<i>LS, LSES 112³</i>	235	149	86	361	65	200	59	43	43	37	
<i>LS 112 MG</i>	-	-	-	-	-	-	-	-	-	-	
LSES 112 MU	235	149	86	332	36	250	51	43	43	37	
<i>LS, LSES 132³</i>	272	190	126	452	57	200	59	63	63	62.6	
<i>LS 132 S</i>	-	-	-	-	-	-	-	-	-	-	
LSES 132 SU	227	172	126	383	32	250	51	63	63	42.1	
LSES 132 SM	272	190	126	385	17	250	51	63	63	52	
<i>LS 132 M</i>	-	-	-	-	-	-	-	-	-	-	
LSES 132 M	272	190	126	425	57	250	51	63	63	59.1	
LSES 132 MU	272	190	126	452	57	250	51	63	63	62.6	

Brake type	Moteurs IMfinity® three-phase 4-pole motors and FFB brake MUF ¹										kg ³
	AC ²	HJ	J	LB	LJ	PU	RU	I	II		
<i>FFB2</i>	189	151	160	409	33.5	200	59	55	55	18.2	
<i>FFB2</i>	189	151	160	409	33.5	200	59	55	55	22.4	
<i>FFB2</i>	189	151	160	409	33.5	200	59	55	55	20	
-	-	-	-	-	-	-	-	-	-	-	
<i>FFB2</i>	189	151	160	409	33.5	200	59	55	55	26.6	
<i>FFB3</i>	235	165	160	460	60.5	200	59	55	55	37.6	
<i>FFB2, 3</i>	200	156	160	437	13.5	250	51	55	55	29.1	
<i>FFB2</i>	200	156	160	437	13.5	250	51	55	55	28.8	
<i>FFB2</i>	200	156	160	437	13.5	250	51	55	55	32	
<i>FFB3</i>	235	165	160	413	13.5	250	51	55	55	37.6	
<i>FFB3</i>	235	165	160	477	52.5	200	59	55	55	43.6	
<i>FFB3</i>	235	165	160	448	23.5	250	51	55	55	29.6	
<i>FFB3</i>	235	165	160	448	23.5	250	51	55	55	43.6	
<i>FFB4</i>	272	186	160	636	65.5	200	59	55	55	77.1	
<i>FFB3</i>	227	168	160	489	40.5	250	51	55	55	44.6	
-	-	-	-	-	-	-	-	-	-	-	
<i>FFB4</i>	272	186	160	636	65.5	250	51	55	55	66.5	
<i>FFB4</i>	272	186	160	636	65.5	250	51	55	55	67.4	
-	-	-	-	-	-	-	-	-	-	-	
<i>FFB4</i>	272	186	160	636	65.5	250	51	55	55	77.1	

1. Except motors and brake motors in italics: not concerned by the IE

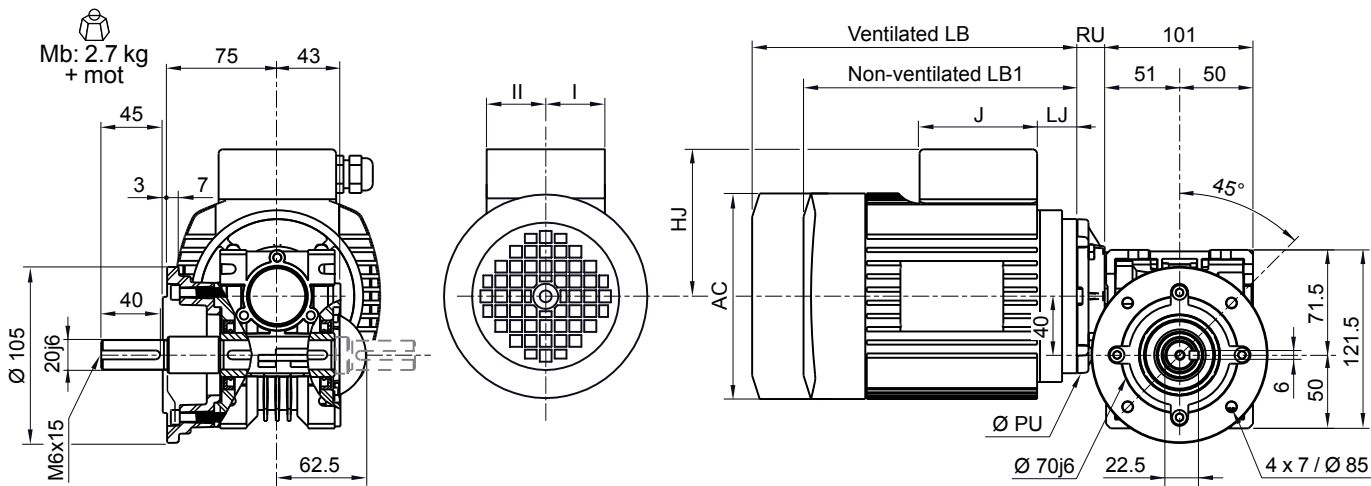
2. Housing diameter without lifting rings

3. The most binding values

BD1 L* flange on left, HL output shaft

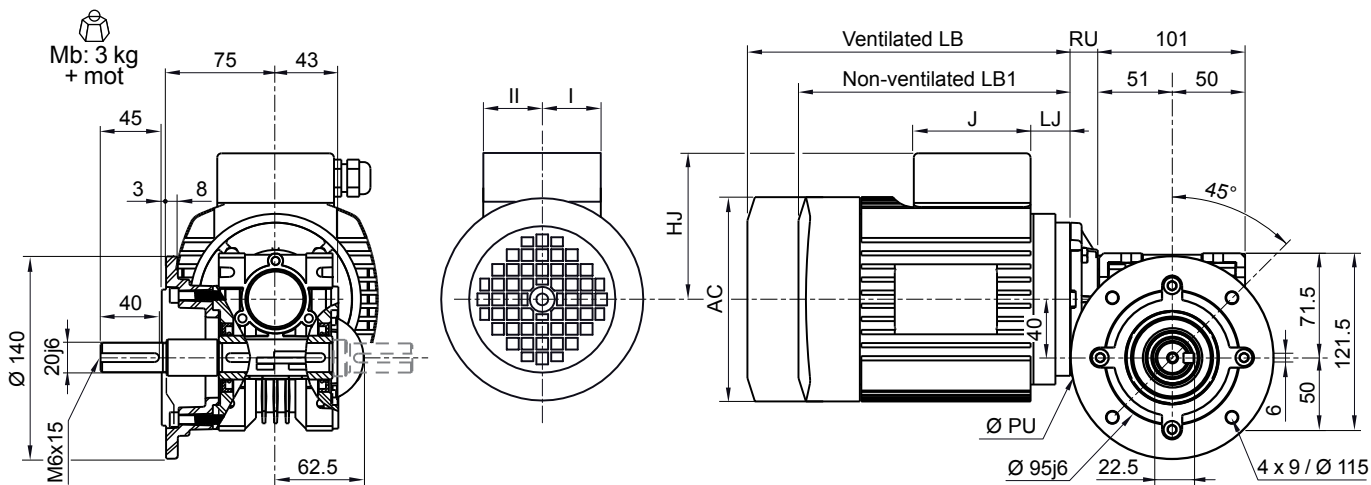
Dimensions in millimetres

* option on right BD1 R HR: identical flange and shaft



BD2 L* flange on left, HL output shaft

* option on right BD2 R HR: identical flange and shaft



Geared motors with worm and wheel - IMfinity®

Multibloc

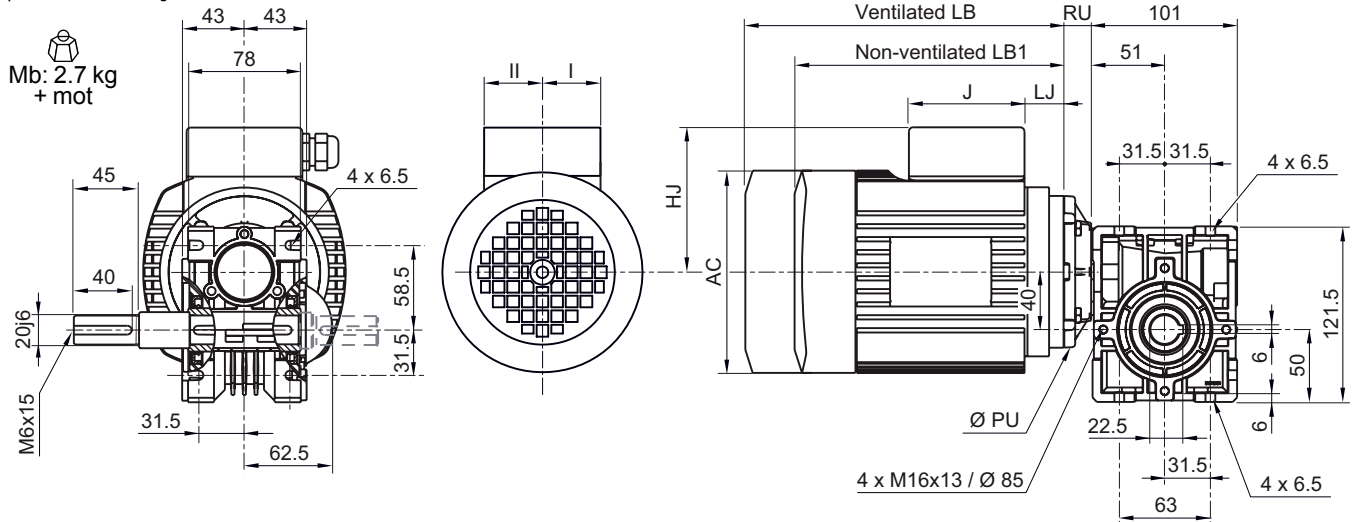
Output shaft

Dimensions of Mb 4101 - Universal Mounting MUT

- S standard, HL* output shaft on left

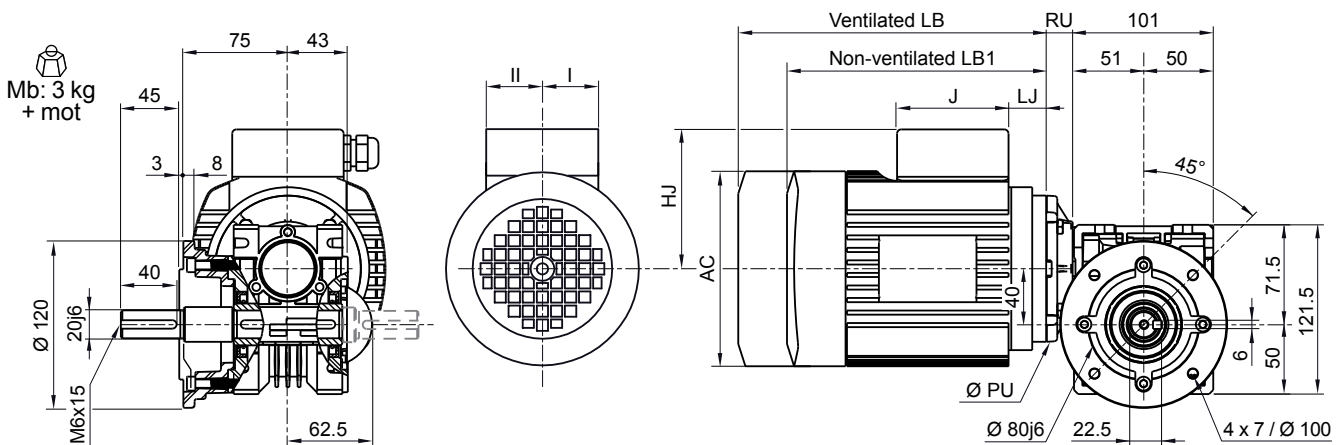
Dimensions in millimetres

* option: HR shaft on right



BS L* flange on left, HL* output shaft on left

* option on right BS R HR: identical right flange and shaft



Mb 4101 + IEC standard motor

Brake type	Single-phase 4-pole motors MUT									kg ¹	Brake type	Single-phase 4-pole motors and FMD brake MUT									kg ¹
	AC	HJ	J	LB/LB1	LJ	PU	RU	I	II			AC	HJ	J	LB/LB1	LJ	PU	RU	I	II	
LS 56 M-P	110	92	100	156/135	13.5	80	19	102	43	4	FMD3	110	114	136	206/175	13.5	80	19	52	52	4.7
LS 63 M-P	124	97	100	172/150	23.5	90	19	102	43	4.5	FMD3	124	119	136	222/200	23.5	90	19	52	52	5.7
LS 71 L-P	140	107	100	194/155	23.5	105	19	102	43	7.5	FMD5	140	129	136	240/201	23.5	105	19	52	52	9.4

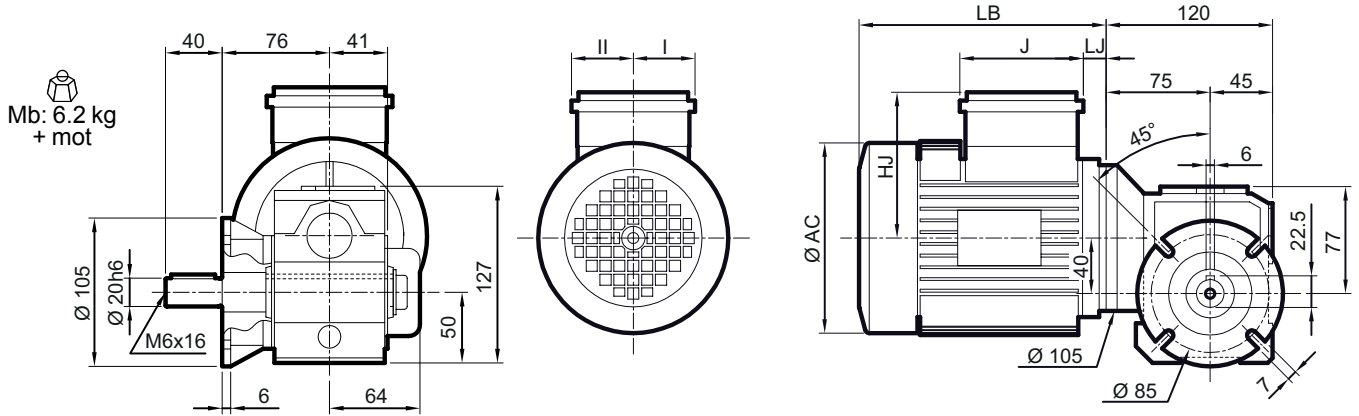
Brake type	Three-phase 4-pole motors MUT									kg ¹	Brake type	Three-phase 4-pole motors and FMD brake MUT									kg ¹
	AC	HJ	J	LB	LJ	PU	RU	I	II			AC	HJ	J	LB	LJ	PU	RU	I	II	
LS 56	110	85	80	156	17	80	19	40	40	4	FMD3	110	114	136	206	13.5	80	19	52	52	6
LS 63	124	90	80	172	27	90	19	40	40	5	FMD3	124	119	136	222	23.5	90	19	52	52	6.5
LS 71 M	140	100	80	186	27	105	19	40	40	6.4	-	-	-	-	-	-	-	-	-	-	-
LS 71 L	140	109	87	194	23.5	105	19	43.5	43.5	8.3	FMD5	140	129	136	240	23.5	105	19	52	52	10.7

1. The most binding values

BN1 L* flange on left, HL* output shaft on left

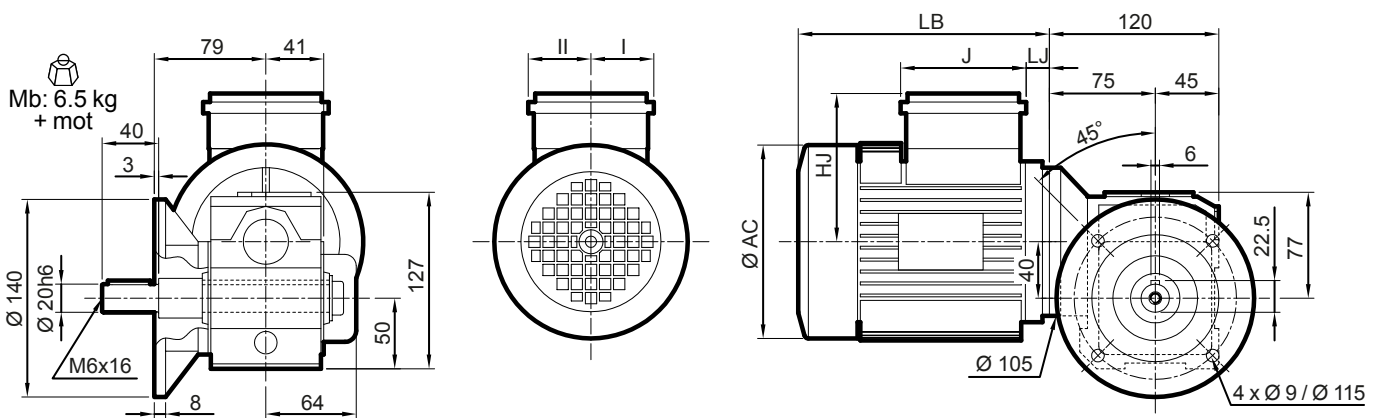
Dimensions in millimetres

* option on right BN1 R HR: identical flange and shaft

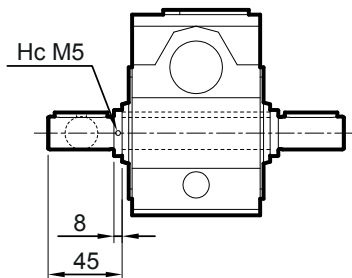


BN2 L* flange on left, HL* output shaft on left

* option on right BN2 R HR: identical flange and shaft



Details HLR



Geared motors with worm and wheel - IMfinity®

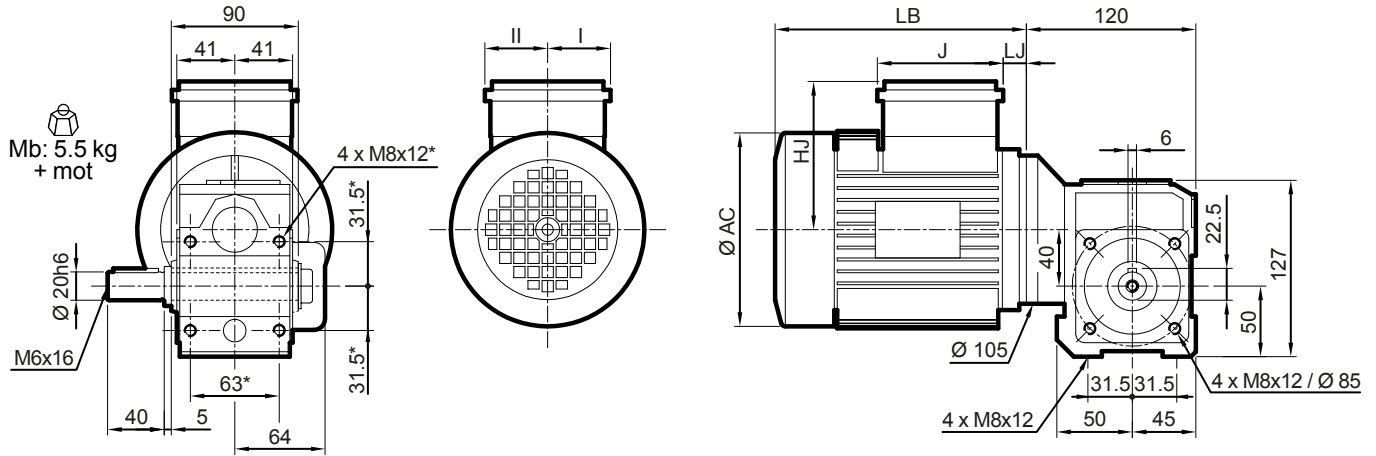
Multibloc

Output shaft

Dimensions of Mb 3101 - Universal Mounting MUT

NU standard, HL* output shaft on left

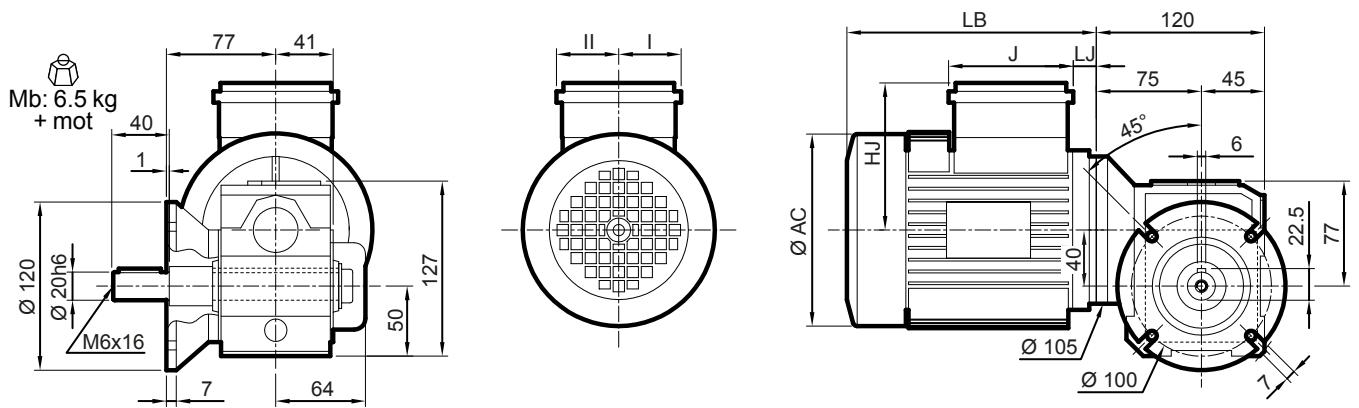
Dimensions in millimetres



* option: HR shaft on right

BN L* flange on left, HL* output shaft on left

* option on right BN R HR: identical flange and shaft



Mb 3101 + IEC standard motor or + adapted motor (details page 74)

Brake type	IMfinity® three-phase 4-pole motors MUT ¹										kg ²	Brake type	IMfinity® three-phase 4-pole motors and FFB brake MUT ¹										kg ²
	AC	HJ	J	LB	LJ	PU	RU	I	II	AC			HJ	J	LB	LJ	PU	RU	I	II			
<i>LS 71 M</i>	140	109	87	186	23.5	105	0	43.5	43.5	7.3	<i>FFB1</i>	140	130	160	286	12	105	0	55	55	10.3		
<i>LS 71 L</i>	140	109	87	194	23.5	105	0	43.5	43.5	8.3	<i>FFB1</i>	140	130	160	286	12	105	0	55	55	11.3		
<i>LS 80 L³</i>	-	-	-	-	-	-	-	-	-	-	<i>FFB1</i>	170	141	160	312	14.5	105	0	55	55	11.5		
<i>LSES 80 LG³</i>	189	135	86	247	26	105	0	43	43	14.1	<i>FFB1</i>	189	151	160	389	13.5	105	0	55	55	17.1		

1. Except motors and brake motors in italics: not concerned by the IE

2. The most binding values

3. HA 80 FT85 ba 14x30 mandatory

Geared motors with worm and wheel - IMfinity®

Multibloc

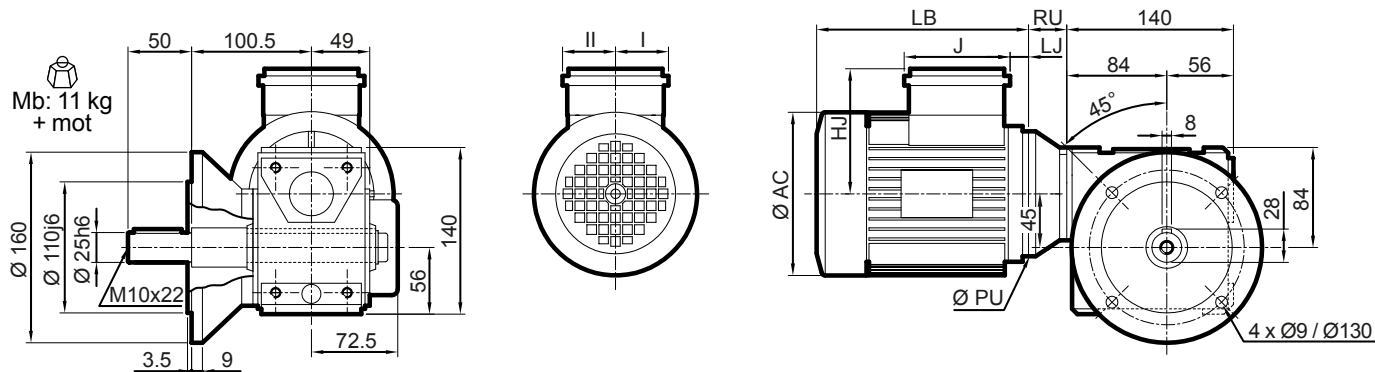
Output shaft

Dimensions of Mb 2201 - Universal Mounting MUT and MUF

BD L* flange on left, HL* output shaft on left

Dimensions in millimetres

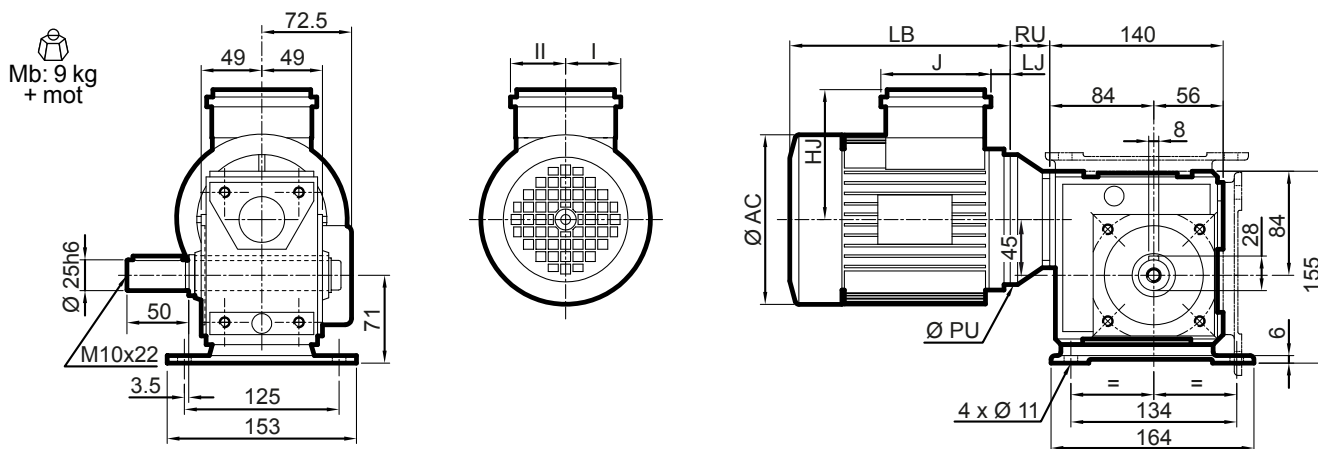
*option on right BN R HR: identical flange and shaft



NSD* baseplate, HL¹ output shaft on left

* NSF or NSU baseplate, see details

1. option: HR shaft on right



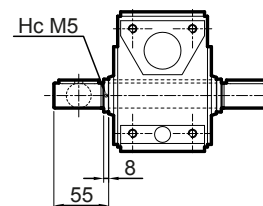
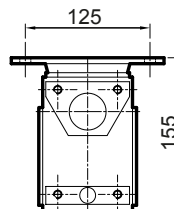
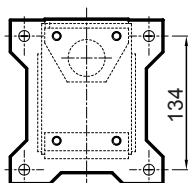
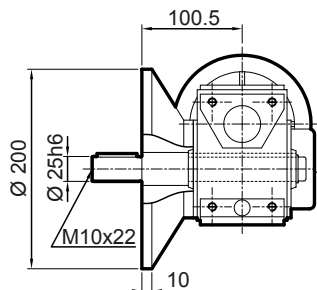
Details

BN L

NSF

NSU

HLR



Geared motors with worm and wheel - IMfinity®

Multibloc

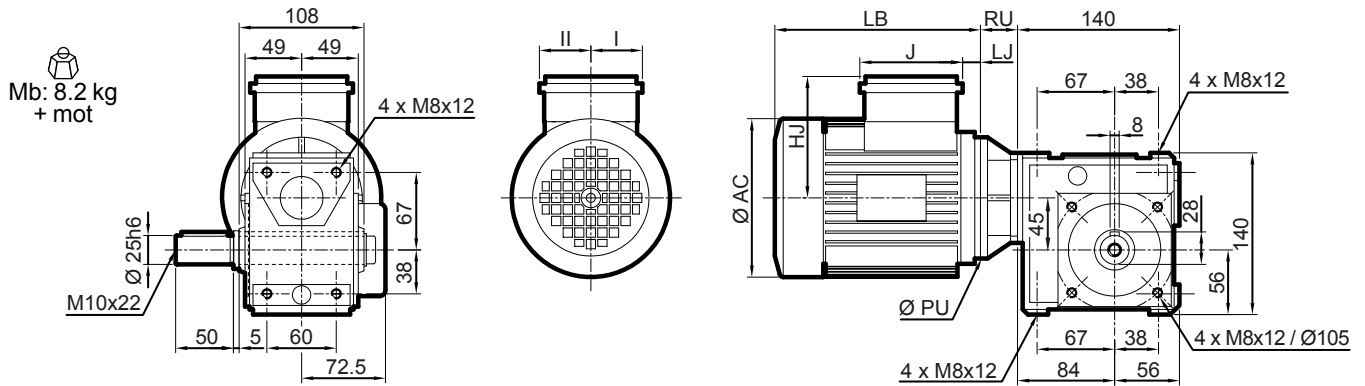
Output shaft

Dimensions of Mb 2201 - Universal Mounting MUT and MUF

NU standard, HL¹ output shaft on left

Dimensions in millimetres

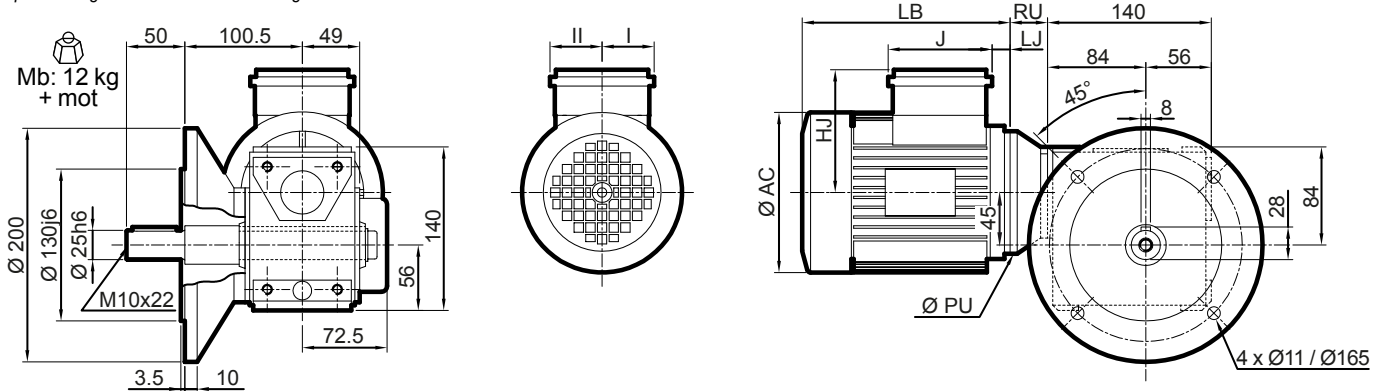
1. option: HR shaft on right



BS¹ L* flange on left, HL* output shaft on left

1. or BN flange: details page opposite

*option on right BS R HR: identical flange and shaft



Mb 2201 + IEC standard motor or + adapted motor (details page 74)

Brake type	IMfinity® three-phase 4-pole motors MUT ¹										kg ²
	AC ¹	HJ	J	LB	LJ	PU	RU	I	II		
<i>LS 71 M</i>	140	109	87	186	23.5	105	32	43.5	43.5	7.3	
<i>LS 71 L</i>	140	109	87	194	23.5	105	32	43.5	43.5	8.3	
<i>LS, LSES 80</i>	189	135	86	247	26	105	32	43	43	14.1	
<i>LS 80 L</i>	-	-	-	-	-	-	-	-	-	-	
<i>LSES 80 LG</i>	189	135	86	247	26	120	32	43	43	14.1	
<i>LS 90 SL</i>	-	-	-	-	-	-	-	-	-	-	
<i>LSES 90 SL</i>	189	135	86	247	26	120	32	43	43	16.2	
<i>LS 90 L</i>	-	-	-	-	-	-	-	-	-	-	
<i>LSES 90 L</i>	189	135	86	247	26	120	32	43	43	16.2	
<i>LSES 90 LU</i>	189	135	86	276	26	120	32	43	43	20.4	

Brake type	IMfinity® three-phase 4-pole motors and FFB brake MUT ¹										kg ²
	AC ¹	HJ	J	LB	LJ	PU	RU	I	II		
<i>FFB1</i>	140	130	160	286	12	105	32	55	55	10.3	
<i>FFB1</i>	140	130	160	286	12	105	32	55	55	11.3	
<i>FFB1</i>	189	151	160	389	13.5	105	32	55	55	17.1	
<i>FFB1</i>	170	141	160	312	14.5	120	32	55	55	11.5	
<i>FFB1</i>	189	151	160	389	13.5	120	32	55	55	17.1	
<i>FFB2</i>	189	151	160	389	13.5	120	32	55	55	18.2	
<i>FFB2</i>	189	151	160	389	13.5	120	32	55	55	22.4	
<i>FFB2</i>	189	151	160	389	13.5	120	32	55	55	21	
-	-	-	-	-	-	-	-	-	-	-	
<i>FFB2</i>	189	151	160	389	13.5	120	32	55	55	26.6	

Brake type	IMfinity® three-phase 4-pole motors MUF ¹										kg ²
	AC ¹	HJ	J	LB	LJ	PU	RU	I	II		
<i>LS 71 M</i>	140	109	87	186	23.5	160	24	43.5	43.5	7.3	
<i>LS 71 L</i>	140	109	87	194	23.5	160	24	43.5	43.5	8.3	
<i>LS, LSES 80</i>	189	135	86	267	46	160	24	43	43	14.1	
<i>LS 80 L</i>	-	-	-	-	-	-	-	-	-	-	
<i>LSES 80 LG</i>	189	135	86	267	46	200	31	43	43	14.1	
<i>LS, LSES 90</i>	189	135	86	296	46	160	24	43	43	20.4	
<i>LS 90 SL</i>	-	-	-	-	-	-	-	-	-	-	
<i>LSES 90 SL</i>	189	135	86	296	46	160	24	43	43	16.2	
<i>LS 90 L</i>	-	-	-	-	-	-	-	-	-	-	
<i>LSES 90 L</i>	189	135	86	296	46	160	24	43	43	16.2	
<i>LSES 90 LU</i>	189	135	86	296	46	160	24	43	43	20.4	
<i>LSES 100 L</i>	200	140	86	337	73	160	24	43	43	22.6	

Brake type	Moteurs IMfinity® three-phase 4-pole motors and FFB brake MUF ¹										kg ²
	AC ¹	HJ	J	LB	LJ	PU	RU	I	II		
<i>FFB1</i>	140	130	160	286	12	160	24	55	55	10.3	
<i>FFB1</i>	140	130	160	286	12	160	24	55	55	11.3	
<i>FFB1</i>	189	151	160	409	33.5	160	24	55	55	17.1	
<i>FFB1</i>	170	141	160	312	14.5	200	31	55	55	13.9	
<i>FFB1</i>	189	151	160	409	33.5	200	31	55	55	17.1	
<i>FFB2</i>	189	151	160	409	33.5	160	24	55	55	26.6	
<i>FFB2</i>	189	151	160	409	33.5	160	24	55	55	18.2	
<i>FFB2</i>	189	151	160	409	33.5	160	24	55	55	22.4	
<i>FFB2</i>	189	151	160	409	33	160	24	55	55	20	
-	-	-	-	-	-	-	-	-	-	-	
<i>FFB2</i>	189	151	160	409	33.5	160	24	55	55	26.6	
<i>FFB2</i>	200	156	160	457	33.5	200	31	55	55	28.8	

1. Except motors and brake motors in italics: not concerned by the IE

2. The most binding values

Geared motors with worm and wheel - IMfinity®

Multibloc

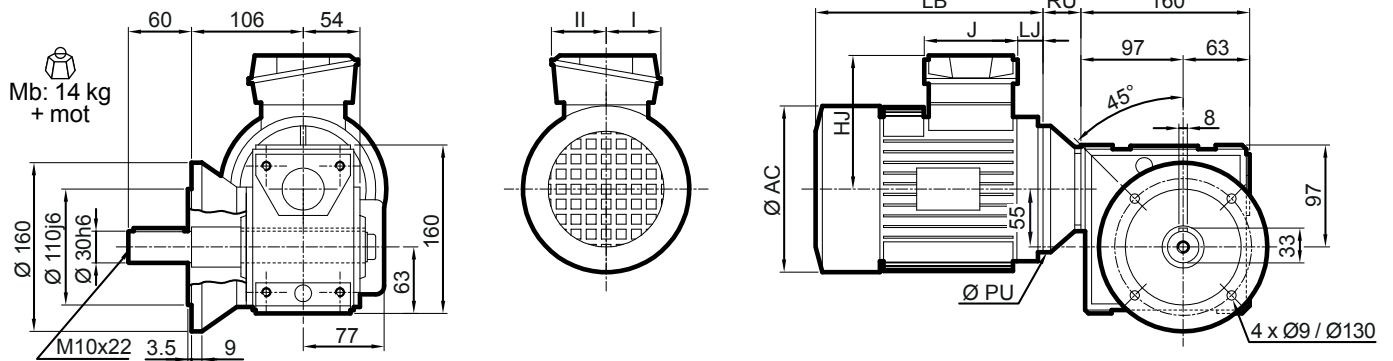
Output shaft

Dimensions of Mb 2301 - Universal Mounting MUT and MUF

BD L* flange on left, HL* output shaft on left

Dimensions in millimetres

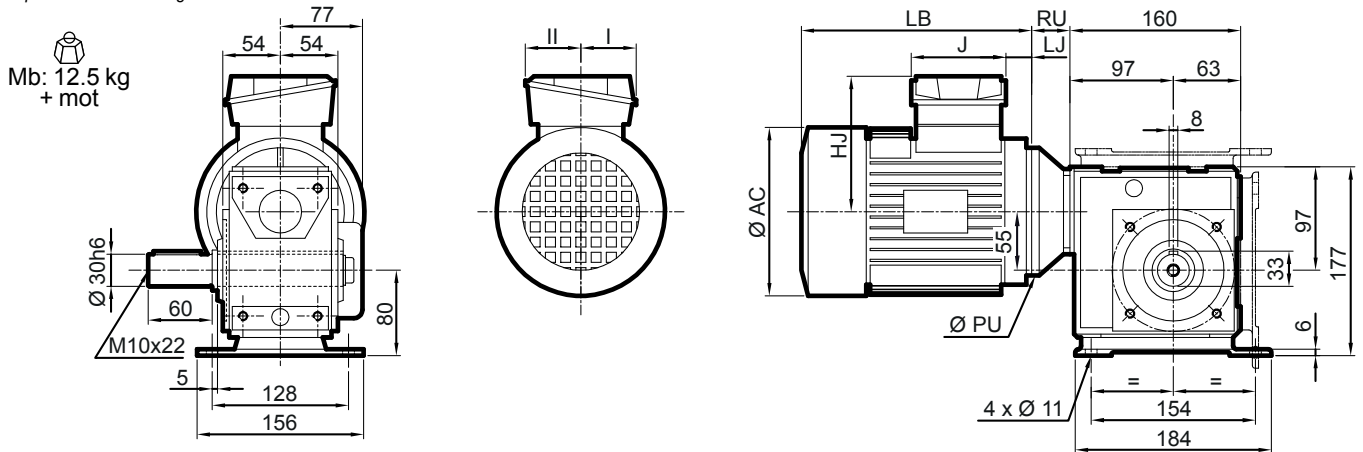
*option on right BN R HR: identical flange and shaft



NSD* baseplate, HL¹ output shaft on left

* NSF or NSU baseplate, see details

1. option: HR shaft on right



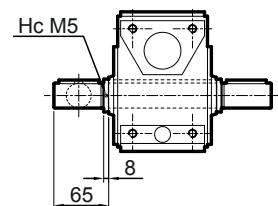
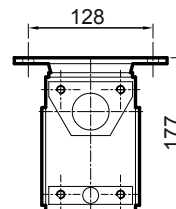
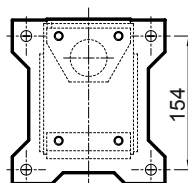
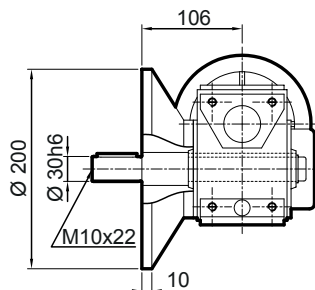
Details

BN L

NSF

NSU

HLR



Geared motors with worm and wheel - IMfinity®

Multibloc

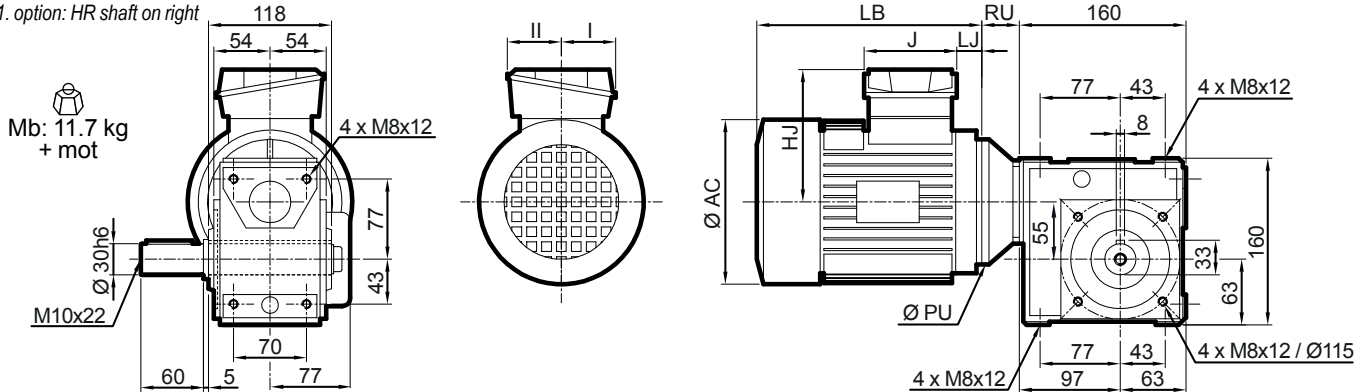
Output shaft

Dimensions of Mb 2301 - Universal Mounting MUT and MUF

NU standard, HL¹ output shaft on left

Dimensions in millimetres

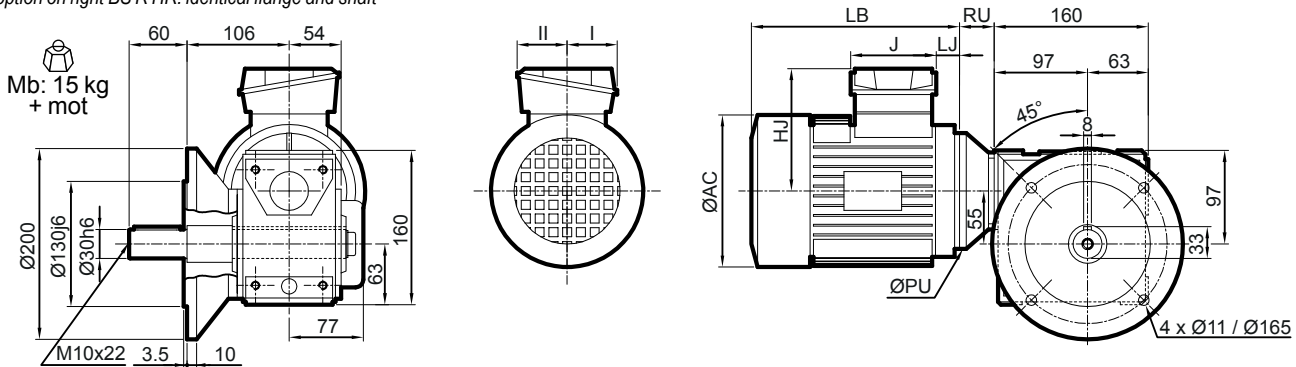
1. option: HR shaft on right



BS¹ L* flange on left, HL* output shaft on left

1. or BN flange: details page opposite

* option on right BS R HR: identical flange and shaft



Mb 2301 + IEC standard motor or + adapted motor (details page 74)

Brake type	IMfinity® three-phase 4-pole motors MUT ¹										kg ³
	AC ²	HJ	J	LB	LJ	PU	RU	I	II		
LS 71 M	140	109	87	186	23.5	105	35	43.5	43.5	7.3	
LS 71 L	140	109	87	194	23.5	105	35	43.5	43.5	8.3	
LS, LSES 80³	189	135	86	247	26	105	35	43	43	14.1	
LS 80 L	-	-	-	-	-	-	-	-	-	-	
LSES 80 LG	189	135	86	247	26	120	36	43	43	14.1	
LS, LSES 90³	189	135	86	276	26	120	36	43	43	20.4	
LS 90 SL	-	-	-	-	-	-	-	-	-	-	
LSES 90 SL	189	135	86	245	26	140	38	43	43	16.2	
LS 90 L	-	-	-	-	-	-	-	-	-	-	
LSES 90 L	189	135	86	245	26	140	38	43	43	16.2	
LSES 90 LU	189	135	86	276	26	140	38	43	43	20.4	
LS 100 L	-	-	-	-	-	-	-	-	-	-	
LSES 100 L	200	140	86	290	26	140	38	43	43	22.6	
LSES 100 LR	200	140	86	309	26	140	38	43	43	25.8	
LSES 100 LG	235	149	86	305	26	140	38	43	43	31	
LS 112 MG	-	-	-	-	-	-	-	-	-	-	
LSES 112 MU	235	149	86	332	36	140	38	43	43	37	

Brake type	IMfinity® three-phase 4-pole motors and FFB brake MUT ¹										kg ³
	AC ²	HJ	J	LB	LJ	PU	RU	I	II		
FFB1	140	130	160	286	12	105	35	55	55	10.3	
FFB1	140	130	160	286	12	105	35	55	55	11.3	
FFB1	189	151	160	389	13.5	105	35	55	55	17.1	
FFB1	170	141	160	312	14.5	120	36	55	55	11.5	
FFB1	189	151	160	389	13.5	120	36	55	55	17.1	
FFB2	189	151	160	389	13.5	120	36	55	55	26.6	
FFB2	189	151	160	389	13.5	140	38	55	55	18.2	
FFB2	189	151	160	389	13.5	140	38	55	55	22.4	
FFB2	189	151	160	389	13.5	140	38	55	55	21	
FFB2	189	151	160	389	13.5	140	38	55	55	26.6	
FFB2	200	156	160	437	13.5	140	38	55	55	29.1	
FFB2	200	156	160	437	13.5	140	38	55	55	28.8	
FFB2	200	156	160	437	13.5	140	38	55	55	32	
FFB3	235	165	160	413	13.5	140	38	55	55	37.6	
FFB3	235	165	160	448	23.5	140	38	55	55	29.6	
FFB3	235	165	160	448	23.5	140	38	55	55	43.6	

Brake type	IMfinity® three-phase 4-pole motors MUF ¹										kg ³
	AC ²	HJ	J	LB	LJ	PU	RU	I	II		
LS 71 M	140	109	87	186	23.5	160	24	43.5	43.5	7.3	
LS 71 L	140	109	87	194	23.5	160	24	43.5	43.5	8.3	
LS, LSES 80³	189	135	86	267	46	160	24	43	43	14.1	
LS 80 L	-	-	-	-	-	-	-	-	-	-	
LSES 80 LG	189	135	86	267	46	200	31	43	43	14.1	
LS 90 SL	-	-	-	-	-	-	-	-	-	-	
LSES 90 SL	189	135	86	265	46	200	31	43	43	16.2	
LS 90 L	-	-	-	-	-	-	-	-	-	-	
LSES 90 L	189	135	86	265	46	200	31	43	43	16.2	
LSES 90 LU	189	135	86	296	46	200	31	43	43	20.4	
LS 100 L	-	-	-	-	-	-	-	-	-	-	
LSES 100 L	200	140	86	337	73	200	31	43	43	22.6	
LSES 100 LR	200	140	86	356	73	200	31	43	43	25.8	
LSES 100 LG	235	149	86	352	73	200	31	43	43	31	
LS 112 MG	-	-	-	-	-	-	-	-	-	-	
LSES 112 MU	235	149	86	361	65	200	31	43	43	37	

Brake type	Moteurs IMfinity® three-phase 4-pole motors and FFB brake MUF ¹										kg ³
	AC ²	HJ	J	LB	LJ	PU	RU	I	II		
FFB1	140	130	160	286	12	160	24	55	55	10.3	
FFB1	140	130	160	286	12	160	24	55	55	11.3	
FFB1	189	151	160	409	33.5	160	24	55	55	17.1	
FFB1	170	141	160	312	13.5	200	31	55	55	13.9	
FFB1	189	151	160	409	33.5	200	31	55	55	17.1	
FFB2	189	151	160	409	33.5	200	31	55	55	18.2	
FFB2	189	151	160	409	33.5	200	31	55	55	22.4	
FFB2	189	151	160	409	33.5	200	31	55	55	20	
FFB2	189	151	160	409	33.5	200	31	55	55	26.6	
FFB2, 3	200	156	160	457	33.5	200	31	55	55	29.1	
FFB2	200	156	160	457	33.5	200	31	55	55	28.8	
FFB2	200	156	160	484	60.5	200	31	55	55	32	
FFB3	235	165	160	460	60.5	200	31	55	55	37.6	
FFB3	235	165	160	477	52.5	200	31	55	55	29.6	
FFB3	235	165	160	477	52.5	200	31	55	55	43.6	

1. Except motors and brake motors in italics: not concerned by the IE 2. Housing diameter without lifting rings 3. The most binding values

Geared motors with worm and wheel - IMfinity®

Multibloc

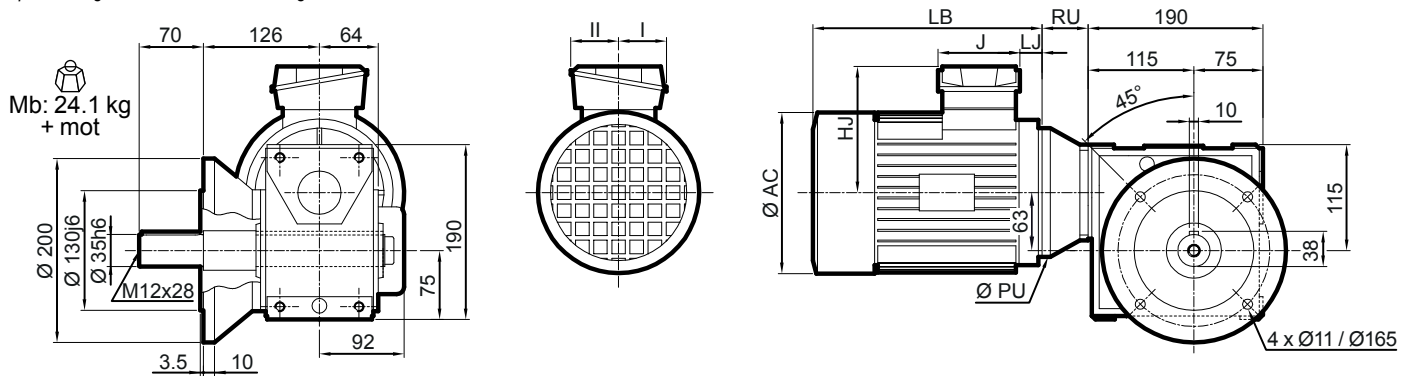
Output shaft

Dimensions of Mb 2401 - Universal Mounting MUT and MUF

BD L* flange on left, HL* output shaft on left

Dimensions in millimetres

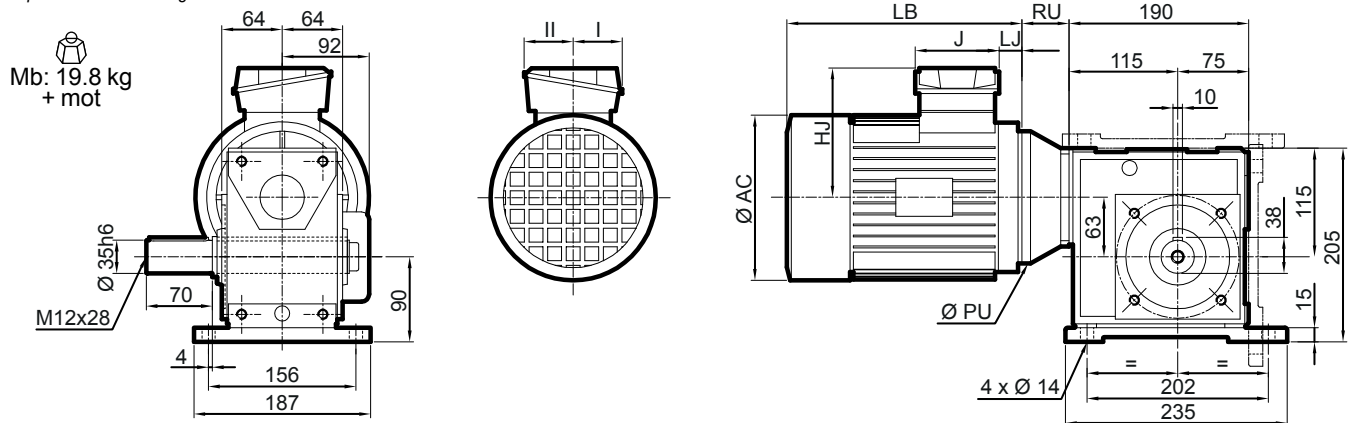
*option on right BN R HR: identical flange and shaft



NSD* baseplate, HL¹ output shaft on left

* NSF or NSU baseplate, see details

1. option: HR shaft on right



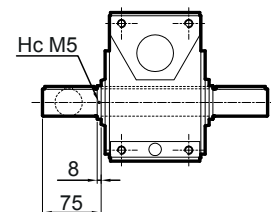
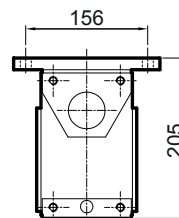
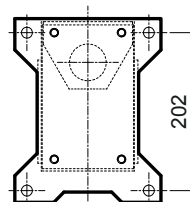
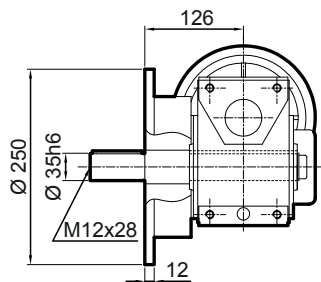
Details

BN L

NSF

NSU

HLR



Geared motors with worm and wheel - IMfinity®

Multibloc

Output shaft

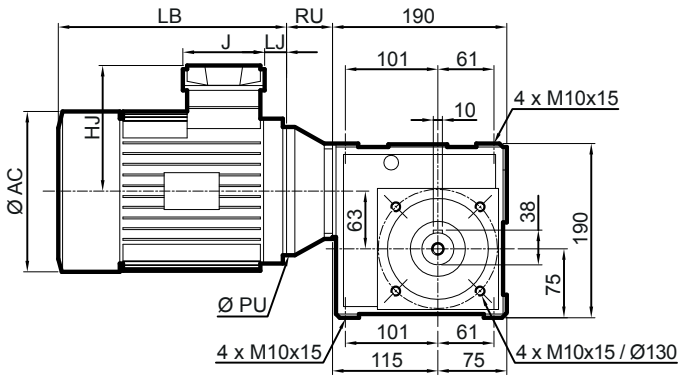
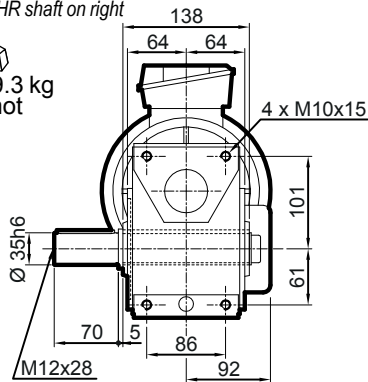
Dimensions of Mb 2401 - Universal Mounting MUT and MUF

NU standard, HL¹ output shaft on left

Dimensions in millimetres

1. option: HR shaft on right

Mb: 19.3 kg + mot

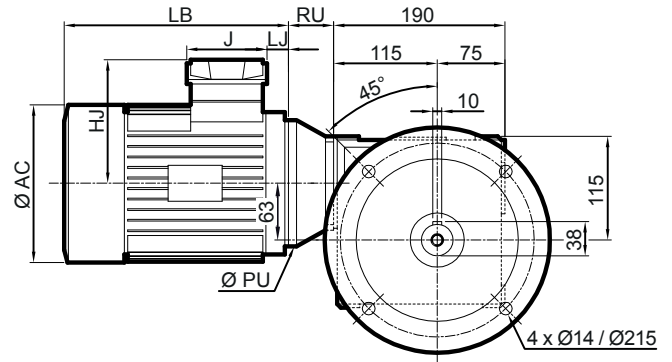
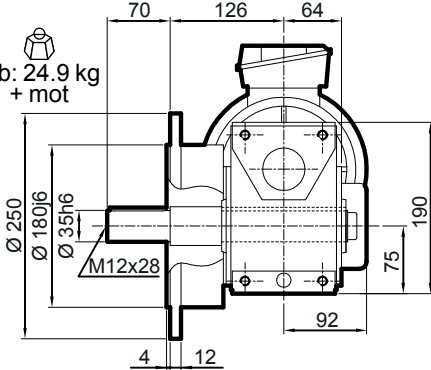


BS¹ L* flange on left, HL* output shaft on left

1. or BN flange: details page opposite

* option on right BS R HR: identical flange and shaft

Mb: 24.9 kg + mot



Mb 2401 + IEC standard motor or + adapted motor (details page 74)

Brake type	IMfinity® three-phase 4-pole motors MUT ¹										kg ³
	AC ²	HJ	J	LB	LJ	PU	RU	I	II		
<i>LS 80 L</i>	-	-	-	-	-	-	-	-	-	-	-
<i>LSES 80 LG</i>	189	135	86	247	26	120	50	43	43	14.1	
<i>LS LSES 90³</i>	189	135	86	276	26	120	50	43	43	20.4	
<i>LS 90 SL</i>	-	-	-	-	-	-	-	-	-	-	
<i>LSES 90 SL</i>	189	135	86	245	26	140	50	43	43	16.2	
<i>LS 90 L</i>	-	-	-	-	-	-	-	-	-	-	
<i>LSES 90 L</i>	189	135	86	245	26	140	50	43	43	16.2	
<i>LSES 90 LU</i>	189	135	86	276	26	140	50	43	43	20.4	
<i>LS LSES 100³</i>	235	149	86	305	26	140	50	43	43	31	
<i>LS 100 L</i>	-	-	-	-	-	-	-	-	-	-	
<i>LSES 100 L</i>	200	140	86	290	26	160	50	43	43	22.6	
<i>LSES 100 LR</i>	200	140	86	309	26	160	50	43	43	25.8	
<i>LSES 100 LG</i>	235	149	86	305	26	160	50	43	43	31	
<i>LS 112 MG</i>	-	-	-	-	-	-	-	-	-	-	
<i>LSES 112 MU</i>	235	149	86	332	36	160	50	43	43	37	
<i>LS 132 S</i>	-	-	-	-	-	-	-	-	-	-	
<i>LSES 132 SU</i>	227	172	126	383	32	160	50	63	63	42.1	
<i>LSES 132 SM</i>	272	190	126	385	17	160	50	63	63	52	

Brake type	IMfinity® three-phase 4-pole motors and FFB brake MUT ¹										kg ³
	AC ²	HJ	J	LB	LJ	PU	RU	I	II		
<i>FFB1</i>	170	141	160	312	14.5	120	50	55	55	11.5	
<i>FFB1</i>	189	151	160	389	13.5	120	50	55	55	17.1	
<i>FFB2</i>	189	151	160	389	13.5	120	50	55	55	22.4	
<i>FFB2</i>	189	151	160	389	13.5	140	50	55	55	18.2	
<i>FFB2</i>	189	151	160	389	13.5	140	50	55	55	22.4	
<i>FFB2</i>	189	151	160	389	13.5	140	50	55	55	21	
<i>FFB2</i>	189	151	160	389	13.5	140	50	55	55	26.6	
<i>FFB2³</i>	235	165	160	413	13.5	140	50	55	55	37.6	
<i>FFB2</i>	200	156	160	437	13.5	160	50	55	55	29.1	
<i>FFB2</i>	200	156	160	437	13.5	160	50	55	55	28.8	
<i>FFB2</i>	200	156	160	437	13.5	160	50	55	55	32	
<i>FFB3</i>	235	165	160	413	13.5	160	50	55	55	37.6	
<i>FFB3</i>	235	165	160	448	23.5	160	50	55	55	29.6	
<i>FFB3</i>	235	165	160	448	23.5	160	50	55	55	43.6	
<i>FFB3</i>	227	168	160	489	40.5	160	50	55	55	44.6	
<i>FFB4</i>	272	186	160	596	25.5	160	50	55	55	66.5	

Brake type	IMfinity® three-phase 4-pole motors MUF ¹										kg ³
	AC ²	HJ	J	LB	LJ	PU	RU	I	II		
<i>LS 71 M</i>	140	109	87	186	23.5	160	50	43.5	43.5	7.3	
<i>LS 71 L</i>	140	109	87	194	23.5	160	50	43.5	43.5	8.3	
<i>LS 80 L</i>	-	-	-	-	-	-	-	-	-	-	
<i>LSES 80 LG</i>	189	135	86	267	46	200	50	43	43	14.1	
<i>LS 90 SL</i>	-	-	-	-	-	-	-	-	-	-	
<i>LSES 90 SL</i>	189	135	86	265	46	200	50	43	43	16.2	
<i>LS 90 L</i>	-	-	-	-	-	-	-	-	-	-	
<i>LSES 90 L</i>	189	135	86	265	46	200	50	43	43	16.2	
<i>LSES 90 LU</i>	189	135	86	296	46	200	50	43	43	20.4	
<i>LS LSES 100³</i>	235	149	86	352	73	200	50	43	43	31	
<i>LS 100 L</i>	-	-	-	-	-	-	-	-	-	-	
<i>LSES 100 L</i>	200	140	86	290	26	250	50	43	43	22.6	
<i>LSES 100 LR</i>	200	140	86	309	26	250	50	43	43	25.8	
<i>LSES 100 LG</i>	235	149	86	352	73	250	50	43	43	31	
<i>LS LSES 112³</i>	235	149	86	361	65	200	50	43	43	37	
<i>LS 112 MG</i>	-	-	-	-	-	-	-	-	-	-	
<i>LSES 112 MU</i>	235	149	86	332	36	250	50	43	43	37	
<i>LS 132 S</i>	-	-	-	-	-	-	-	-	-	-	
<i>LSES 132 SU</i>	227	172	126	383	32	200	50	63	63	42.1	
<i>LSES 132 SM</i>	272	190	126	425	57	200	50	63	63	52	

Brake type	Moteurs IMfinity® three-phase 4-pole motors and FFB brake MUF ¹										kg ³
	AC ²	HJ	J	LB	LJ	PU	RU	I	II		
<i>FFB1</i>	140	130	160	286	12	160	50	55	55	10.3	
<i>FFB1</i>	140	130	160	286	12	160	50	55	55	11.3	
<i>FFB1</i>	170	141	160	312	14.5	200	50	55	55	13.9	
<i>FFB1</i>	189	151	160	409	33.5	200	50	55	55	17.1	
<i>FFB2</i>	189	151	160	409	33.5	200	50	55	55	18.2	
<i>FFB2</i>	189	151	160	409	33.5	200	50	55	55	22.4	
<i>FFB2</i>	189	151	160	409	33	200	50	55	55	20	
<i>FFB2</i>	189	151	160	409	33.5	200	50	55	55	26.6	
<i>FFB2³</i>	235	165	160	460	60.5	200	50	55	55	37.6	
<i>FFB2³</i>	200	156	160	437	13.5	250	50	55	55	29.1	
<i>FFB2</i>	200	156	160	437	13.5	250	50	55	55	28.8	
<i>FFB2</i>	200	156	160	437	13.5	250	50	55	55	32	
<i>FFB3</i>	235	165	160	413	13.5	250	50	55	55	37.6	
<i>FFB3</i>	235	165	160	477	52.5	200	50	55	55	46.3	
<i>FFB3</i>	235	165	160	448	23.5	250	50	55	55	29.6	
<i>FFB3</i>	235	165	160	448	23.5	250	50	55	55	43.6	
<i>FFB3</i>	227	168	160	489	40.5	200	50	55	55	44.6	
<i>FFB4</i>	272	186	160	636	65.5	200	50	55	55	66.5	

1. Except motors and brake motors in italics: not concerned by the IE 2. Housing diameter without lifting rings 3. The most binding values

Geared motors with worm and wheel - IMfinity®

Multibloc

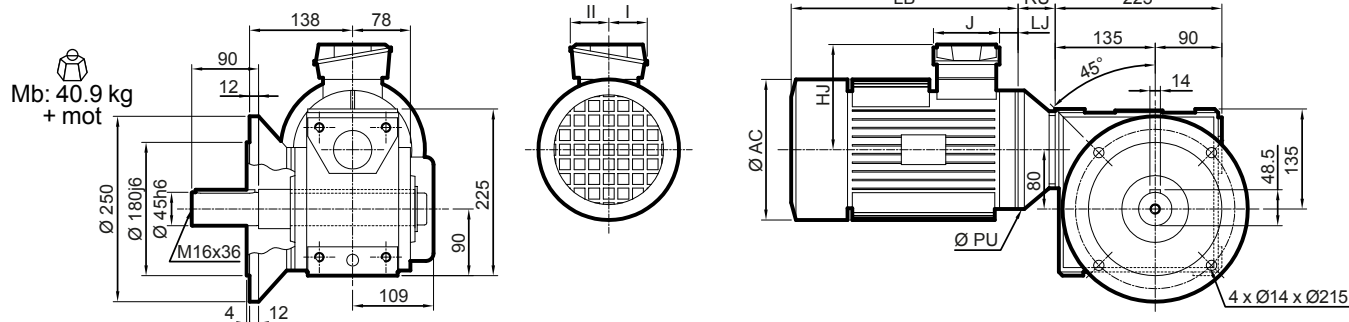
Output shaft

Dimensions of Mb 2501 - Universal Mounting MUT and MUF

BD L* flange on left, HL* output shaft on left

Dimensions in millimetres

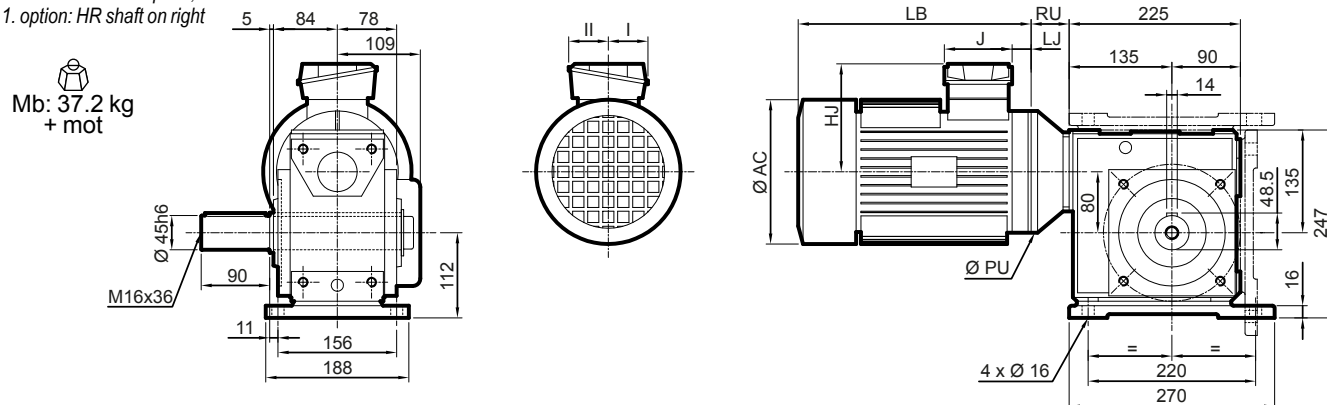
* option on right BN R HR: identical flange and shaft



NSD* baseplate, HL¹ output shaft on left

* NSF or NSU baseplate, see details

1. option: HR shaft on right



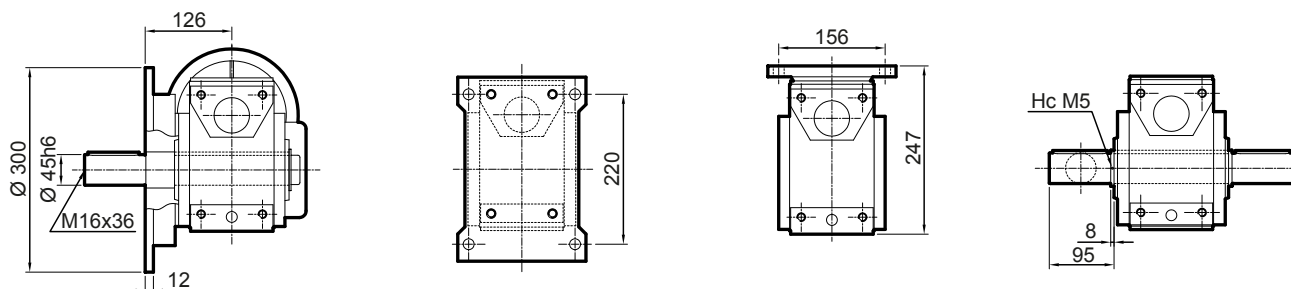
Details

BN L

NSF

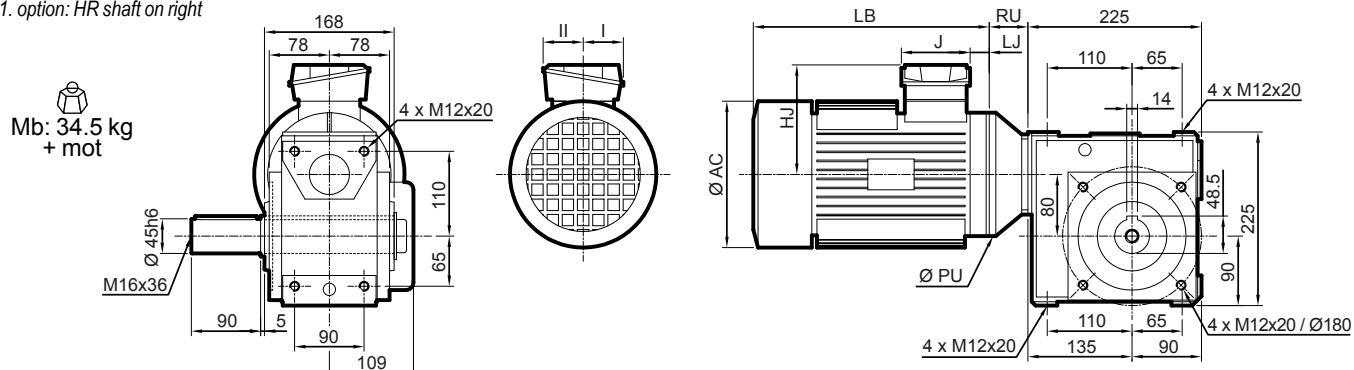
NSU

HLR



NU standard, HL¹ output shaft on left

1. option: HR shaft on right



Geared motors with worm and wheel - IMfinity®

Multibloc

Output shaft

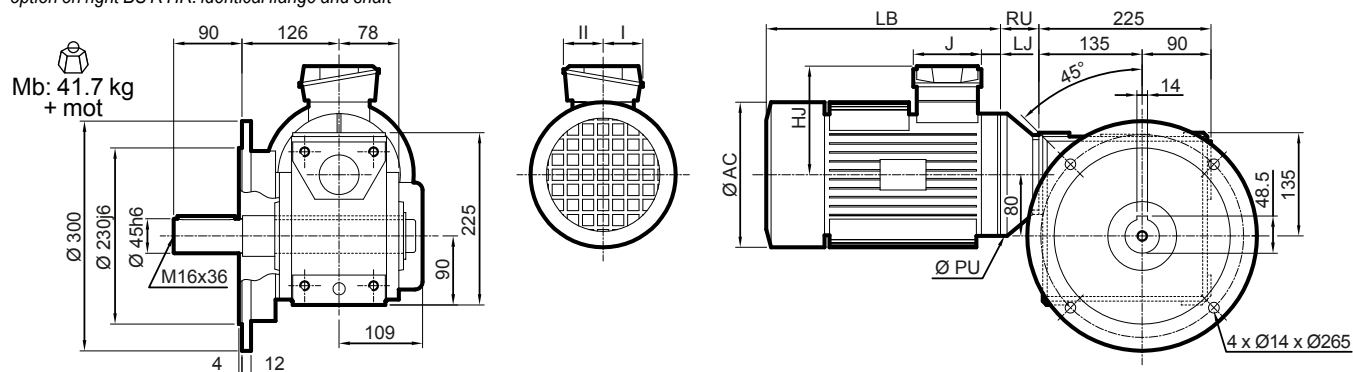
Dimensions of Mb 2501 - Universal Mounting MUT and MUF

BS' L* flange on left, HL* output shaft on left

Dimensions in millimetres

1. or BN flange: details page opposite

* option on right BS R HR: identical flange and shaft



Mb 2501 + IEC standard motor or + adapted motor (details page 74)

Brake type	IMfinity® three-phase 4-pole motors MUT ¹									kg ³
	AC ²	HJ	J	LB	LJ	PU	RU	I	II	
<i>LS 80 L</i>	-	-	-	-	-	-	-	-	-	-
<i>LSES 80 LG</i>	189	135	86	247	26	120	50	43	43	14.1
<i>LS, LSES 90</i>	189	135	86	276	26	120	50	43	43	20.4
<i>LS 90 SL</i>	-	-	-	-	-	-	-	-	-	-
<i>LSES 90 SL</i>	189	135	86	245	26	140	50	43	43	16.2
<i>LS 90 L</i>	-	-	-	-	-	-	-	-	-	-
<i>LSES 90 L</i>	189	135	86	245	26	140	50	43	43	16.2
<i>LSES 90 LU</i>	189	135	86	276	26	140	50	43	43	20.4
<i>LS, LSES 100³</i>	235	149	86	305	26	140	50	43	43	31
<i>LS 100 L</i>	-	-	-	-	-	-	-	-	-	-
<i>LSES 100 L</i>	200	140	86	290	27	160	50	43	43	22.6
<i>LSES 100 LR</i>	200	140	86	309	27	160	50	43	43	25.8
<i>LSES 100 LG</i>	235	149	86	305	26	160	50	43	43	31
<i>LS, LSES 112³</i>	235	149	86	332	36	140	50	43	43	37
<i>LS 112 MG</i>	-	-	-	-	-	-	-	-	-	-
<i>LSES 112 MU</i>	235	149	86	332	36	160	50	43	43	37
<i>LS 132 S</i>	-	-	-	-	-	-	-	-	-	-
<i>LSES 132 SU</i>	227	172	126	383	32	160	50	63	63	42.1
<i>LSES 132 SM</i>	272	190	126	385	17	160	50	63	63	52
<i>LS 132 M</i>	-	-	-	-	-	-	-	-	-	-
<i>LSES 132 M</i>	272	190	126	385	17	160	50	63	63	59.1
<i>LSES 132 MU</i>	272	190	126	412	17	160	50	63	63	62.6
<i>LSES 160 MR</i>	272	190	126	495	59	160	50	63	63	77.8

Brake type	IMfinity® three-phase 4-pole motors and FFB brake MUT ¹									kg ³
	AC ²	HJ	J	LB	LJ	PU	RU	I	II	
<i>FFB1</i>	170	141	160	312	14.5	120	50	55	55	11.5
<i>FFB1</i>	189	151	160	389	13.5	120	50	55	55	17.1
<i>FFB2</i>	189	151	160	389	13.5	120	50	55	55	22.4
<i>FFB2</i>	189	151	160	389	13.5	140	50	55	55	18.2
<i>FFB2</i>	189	151	160	389	13.5	140	50	55	55	22.4
<i>FFB2</i>	189	151	160	389	13.5	140	50	55	55	21
<i>FFB2</i>	189	151	160	389	13.5	140	50	55	55	26.6
<i>FFB2, 3</i>	235	165	160	413	13.5	140	50	55	55	37.6
<i>FFB2</i>	200	156	160	437	13.5	160	50	55	55	29.1
<i>FFB2</i>	200	156	160	437	13.5	160	50	55	55	28.8
<i>FFB2</i>	200	156	160	437	13.5	160	50	55	55	32
<i>FFB3</i>	235	165	160	413	13.5	160	50	55	55	37.6
<i>FFB3</i>	235	165	160	448	23.5	140	50	55	55	43.6
<i>FFB3</i>	235	165	160	448	23.5	160	50	55	55	29.6
<i>FFB3</i>	235	165	160	448	23.5	160	50	55	55	43.6
<i>FFB3</i>	227	168	160	489	40.5	160	50	55	55	44.6
<i>FFB4</i>	272	186	160	596	25.5	160	50	55	55	66.5
<i>FFB4</i>	272	186	160	596	25.5	160	50	55	55	67.4
<i>FFB4</i>	272	186	160	596	25.5	160	50	55	55	77.1
<i>FFB4</i>	272	186	160	671	67.5	160	50	55	55	92.3

Brake type	IMfinity® three-phase 4-pole motors MUF ¹									kg ³
	AC ²	HJ	J	LB	LJ	PU	RU	I	II	
<i>LS 80 L</i>	-	-	-	-	-	-	-	-	-	-
<i>LSES 80 LG</i>	189	135	86	267	46	200	50	43	43	14.1
<i>LS 90 SL</i>	-	-	-	-	-	-	-	-	-	-
<i>LSES 90 SL</i>	189	135	86	265	46	200	50	43	43	16.2
<i>LS 90 L</i>	-	-	-	-	-	-	-	-	-	-
<i>LSES 90 L</i>	189	135	86	265	46	200	50	43	43	16.2
<i>LSES 90 LU</i>	189	135	86	296	46	200	50	43	43	20.4
<i>LS, LSES 100³</i>	235	149	86	352	73	200	50	43	43	31
<i>LS 100 L</i>	-	-	-	-	-	-	-	-	-	-
<i>LSES 100 L</i>	200	140	86	290	26	250	51	43	43	22.6
<i>LSES 100 LR</i>	200	140	86	309	26	250	51	43	43	25.8
<i>LSES 100 LG</i>	235	149	86	305	26	250	51	43	43	31
<i>LS, LSES 112³</i>	235	149	86	361	65	200	50	43	43	37
<i>LS 112 MG</i>	-	-	-	-	-	-	-	-	-	-
<i>LSES 112 MU</i>	235	149	86	332	36	250	51	43	43	37
<i>LS, LSES 132³</i>	272	190	126	452	57	200	50	63	63	62.6
<i>LS 132 S</i>	-	-	-	-	-	-	-	-	-	-
<i>LSES 132 SU</i>	227	172	126	383	32	250	51	63	63	42.1
<i>LSES 132 SM</i>	272	190	126	425	57	250	51	63	63	52
<i>LS 132 M</i>	-	-	-	-	-	-	-	-	-	-
<i>LSES 132 M</i>	272	190	126	425	57	250	51	63	63	59.1
<i>LSES 132 MU</i>	272	190	126	452	57	250	51	63	63	62.6
<i>LSES 160 MR</i>	272	190	126	495	59	250	51	63	63	77.8

Brake type	Moteurs IMfinity® three-phase 4-pole motors and FFB brake MUF ¹									kg ³
	AC ²	HJ	J	LB	LJ	PU	RU	I	II	
<i>FFB1</i>	170	141	160	312	14.5	200	50	55	55	13.9
<i>FFB1</i>	189	151	160	409	34.5	200	50	55	55	17.1
<i>FFB2</i>	189	151	160	409	33.5	200	50	55	55	18.2
<i>FFB2</i>	189	151	160	409	33.5	200	50	55	55	22.4
<i>FFB2</i>	189	151	160	409	33	200	50	55	55	20
<i>FFB2</i>	189	151	160	409	33.5	200	50	55	55	26.6
<i>FFB3</i>	235	165	160	460	60.5	200	50	55	55	37.6
<i>FFB2, 3</i>	200	156	160	437	13.5	250	51	55	55	29.1
<i>FFB2</i>	200	156	160	437	13.5	250	51	55	55	28.8
<i>FFB2</i>	200	156	160	437	13.5	250	51	55	55	32
<i>FFB3</i>	235	165	160	413	13.5	250	51	55	55	37.6
<i>FFB3</i>	235	165	160	477	52.5	200	50	55	55	43.6
<i>FFB3</i>	235	165	160	448	23.5	250	51	55	55	29.6
<i>FFB3</i>	235	165	160	448	23.5	250	51	55	55	43.6
<i>FFB4</i>	272	186	160	636	65.5	200	50	55	55	77.1
<i>FFB3</i>	227	168	160	489	40.5	250	51	55	55	44.6
<i>FFB4</i>	272	186	160	636	65.5	250	51	55	55	66.5
<i>FFB4</i>	272	186	160	636	65.5	250	51	55	55	67.4
<i>FFB4</i>	272	186	160	636	65.5	250	51	55	55	77.1
<i>FFB4</i>	272	186	160	671	67.5	250	51	55	55	92.3

1. Except motors and brake motors in italics: not concerned by the IE

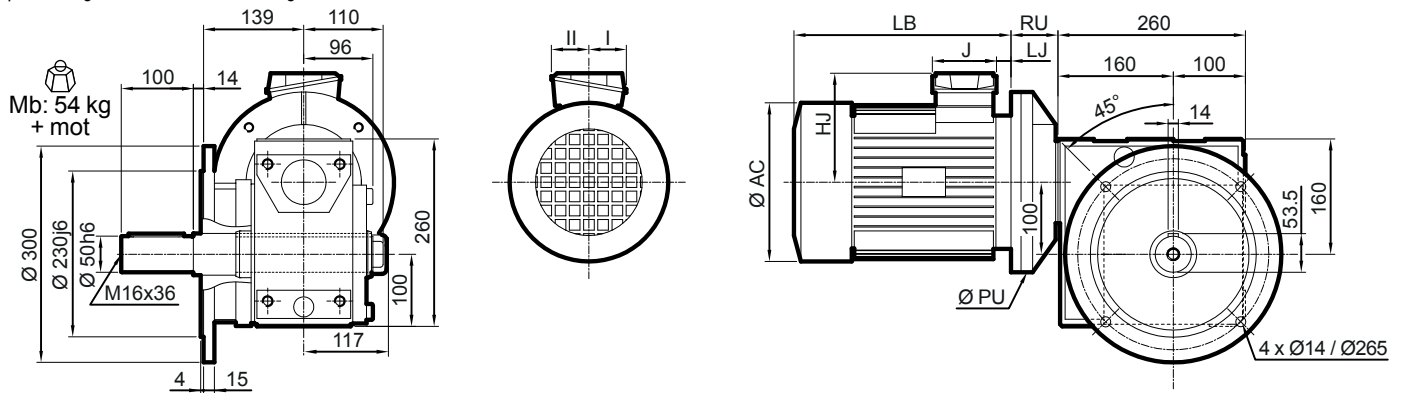
2. Housing diameter without lifting rings

3. The most binding values

BD L* flange on left, HL* output shaft on left

Dimensions in millimetres

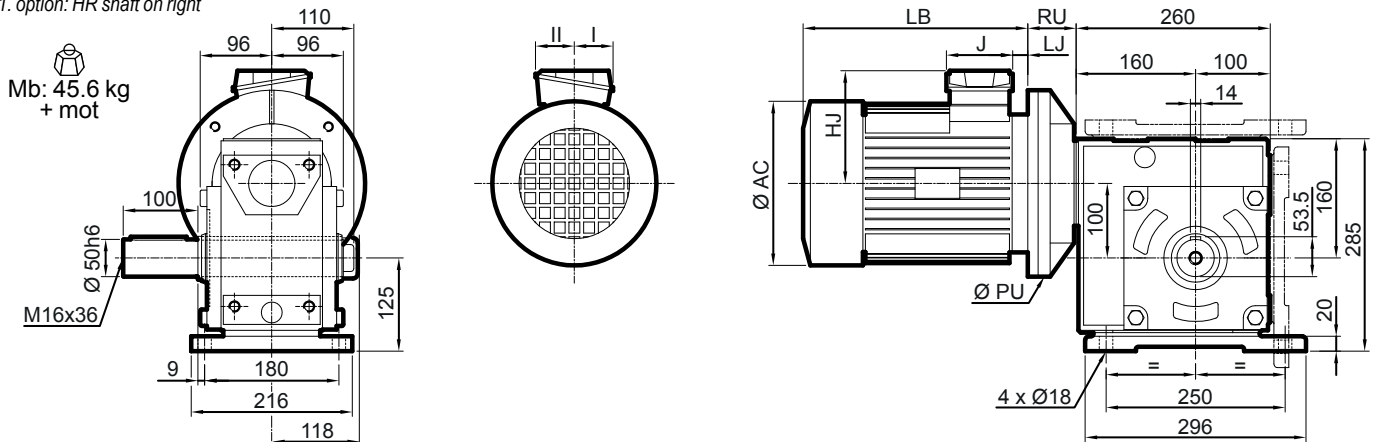
* option on right BN R HR: identical flange and shaft



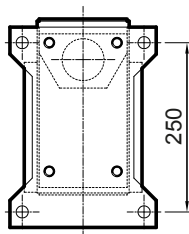
NSD* baseplate, HL¹ output shaft on left

* NSF or NSU baseplate, see details

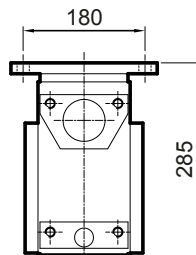
1. option: HR shaft on right



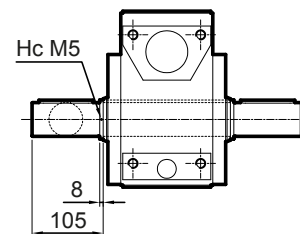
Details NSF



NSU



HLR



Geared motors with worm and wheel - IMfinity® Multibloc

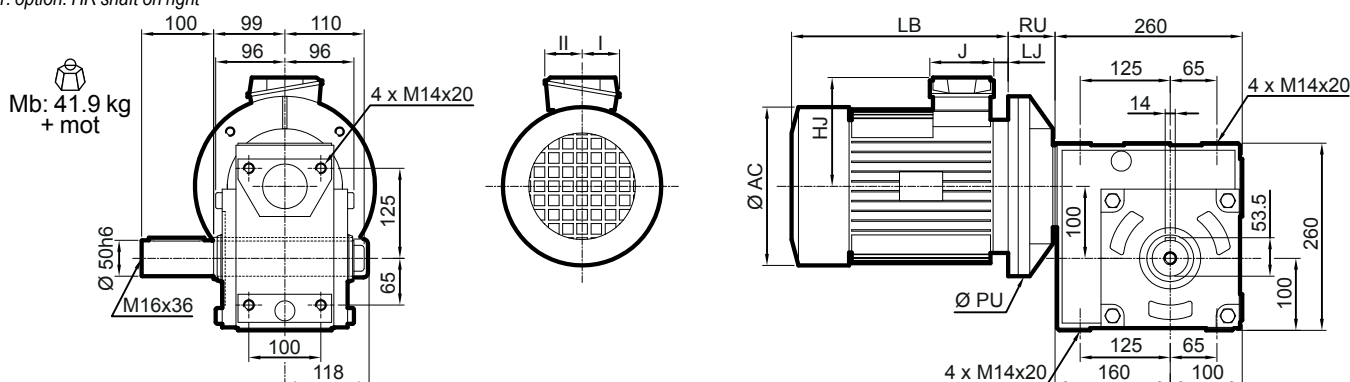
Output shaft

Dimensions of Mb 2601 - Universal Mounting MUT and MUF

NU standard, HL¹ output shaft on left

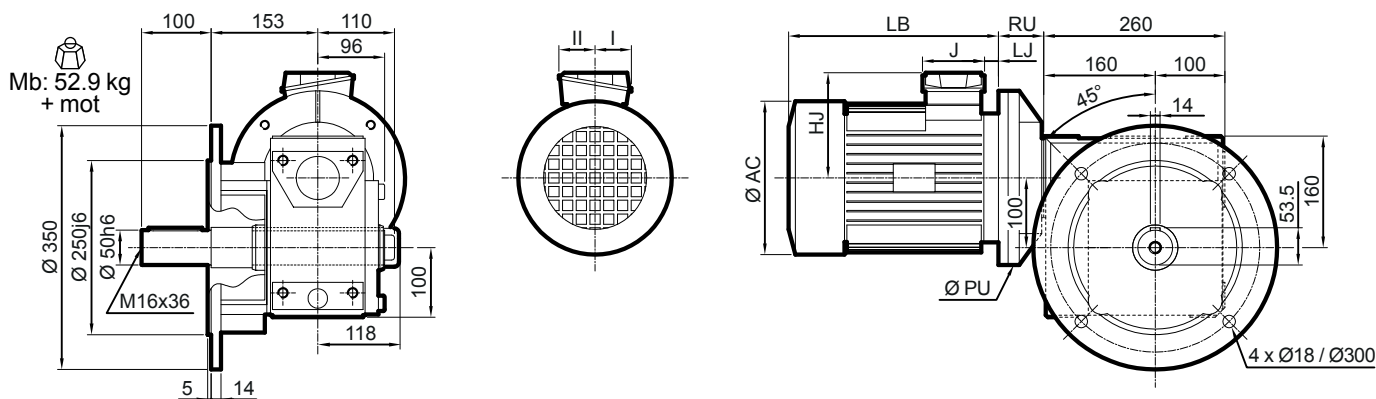
Dimensions in millimetres

1. option: HR shaft on right



BS L* flange on left, HL* output shaft on left

* option on right BS R HR: identical flange and shaft



Mb 2601 + IEC standard motor or + adapted motor (details page 74)

Brake type	IMfinity® three-phase 4-pole motors MUT ¹										kg ³
	AC ²	HJ	J	LB	LJ	PU	RU	I	II		
<i>LS 132 S</i>	-	-	-	-	-	-	-	-	-	-	-
LSES 132 SU	227	172	126	383	32	250	51	63	63	42.1	
LSES 132 SM	272	190	126	385	17	250	51	63	63	52	
<i>LS 132 M</i>	-	-	-	-	-	-	-	-	-	-	-
LSES 132 M	272	190	126	385	17	250	51	63	63	59.1	
LSES 132 MU	272	190	126	412	17	250	51	63	63	62.6	

Brake type	IMfinity® three-phase 4-pole motors and FFB brake MUT ¹										kg ³
	AC ²	HJ	J	LB	LJ	PU	RU	I	II		
<i>FFB3</i>	227	168	160	489	40.5	250	51	55	55	44.6	
<i>FFB4</i>	272	186	160	596	25.5	250	51	55	55	66.5	
<i>FFB4</i>	272	186	160	596	25.5	250	51	55	55	67.4	
<i>FFB4</i>	272	186	160	596	25.5	250	51	55	55	77.1	

Brake type	IMfinity® three-phase 4-pole motors MUF ¹										kg ³
	AC ²	HJ	J	LB	LJ	PU	RU	I	II		
<i>LS 90 SL</i>	-	-	-	-	-	-	-	-	-	-	-
LSES 90 SL	189	135	86	265	26	200	59	43	43	16.2	
<i>LS 90 L</i>	-	-	-	-	-	-	-	-	-	-	-
LSES 90 L	189	135	86	265	26	200	59	43	43	16.2	
LSES 90 LU	189	135	86	296	26	200	59	43	43	20.4	
<i>LS, LSES 100³</i>	235	149	86	352	73	200	59	43	43	31	
<i>LS 100 L</i>	-	-	-	-	-	-	-	-	-	-	-
LSES 100 L	200	140	86	290	26	250	51	43	43	22.6	
LSES 100 LR	200	140	86	309	26	250	51	43	43	25.8	
LSES 100 LG	235	149	86	305	26	250	51	43	43	31	
<i>LS, LSES 112³</i>	235	149	86	361	65	200	59	43	43	37	
<i>LS 112 MG</i>	-	-	-	-	-	-	-	-	-	-	-
LSES 112 MU	235	149	86	332	36	250	51	43	43	37	
<i>LS, LSES 132³</i>	272	190	126	452	57	200	59	63	63	62.6	
<i>LS 132 S</i>	-	-	-	-	-	-	-	-	-	-	-
LSES 132 SU	227	172	126	383	32	250	51	63	63	42.1	
LSES 132 SM	272	190	126	385	17	250	51	63	63	52	
<i>LS 132 M</i>	-	-	-	-	-	-	-	-	-	-	-
LSES 132 M	272	190	126	425	57	250	51	63	63	59.1	
LSES 132 MU	272	190	126	452	57	250	51	63	63	62.6	

Brake type	Moteurs IMfinity® three-phase 4-pole motors and FFB brake MUF ¹										kg ³
	AC ²	HJ	J	LB	LJ	PU	RU	I	II		
<i>FFB2</i>	189	151	160	409	33.5	200	59	55	55	18.2	
<i>FFB2</i>	189	151	160	409	33.5	200	59	55	55	22.4	
<i>FFB2</i>	189	151	160	409	33.5	200	59	55	55	20	
<i>FFB2</i>	189	151	160	409	33.5	200	59	55	55	26.6	
<i>FFB3</i>	235	165	160	460	60.5	200	59	55	55	37.6	
<i>FFB2, 3</i>	200	156	160	437	13.5	250	51	55	55	29.1	
<i>FFB2</i>	200	156	160	437	13.5	250	51	55	55	28.8	
<i>FFB2</i>	200	156	160	437	13.5	250	51	55	55	32	
<i>FFB3</i>	235	165	160	413	13.5	250	51	55	55	37.6	
<i>FFB3</i>	235	165	160	477	52.5	200	59	55	55	43.6	
<i>FFB3</i>	235	165	160	448	23.5	250	51	55	55	29.6	
<i>FFB3</i>	235	165	160	448	23.5	250	51	55	55	43.6	
<i>FFB4</i>	272	186	160	636	65.5	200	59	55	55	77.1	
<i>FFB3</i>	227	168	160	489	40.5	250	51	55	55	44.6	
<i>FFB4</i>	272	186	160	636	65.5	250	51	55	55	66.5	
<i>FFB4</i>	272	186	160	636	65.5	250	51	55	55	67.4	
<i>FFB4</i>	272	186	160	636	65.5	250	51	55	55	77.1	

1. Except motors and brake motors in italics: not concerned by the IE

2. Housing diameter without lifting rings

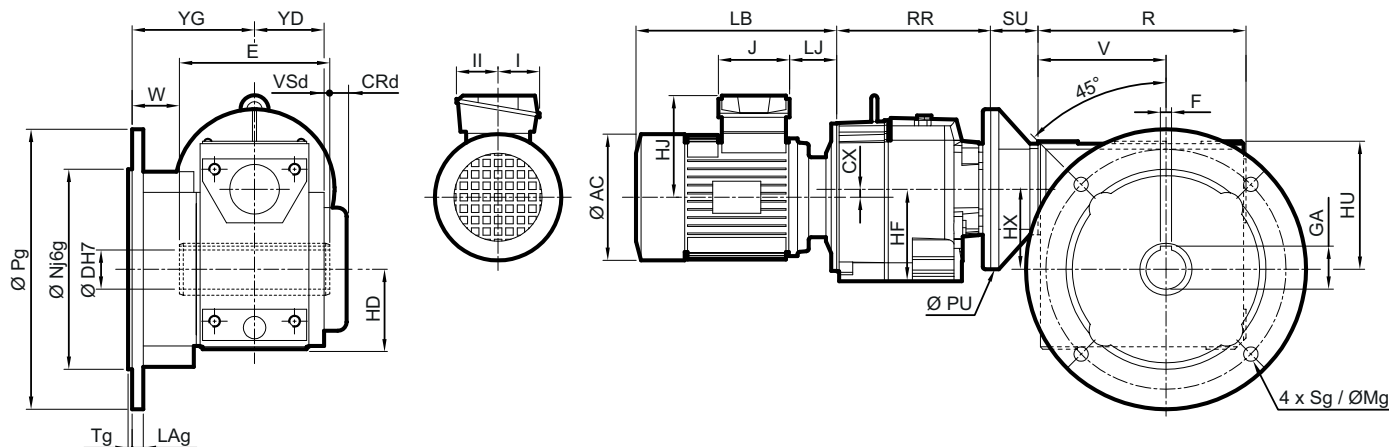
3. The most binding values

Combined Mb dimensions

BS L* flange on left*, H hollow shaft*

Dimensions in millimetres

*option on right BS R H: identical flange and shaft



Brake		Combined Multibloc BS H																				kg					
i		CRd	CX	DH7	E	F	GA	HD	HF	HU	HX	LAg	Mg	Ng	Pg	PU	R	RR	SU	Sg	Tg	V	VSD	W	YD	YG	
Mb 2634	315 → 1420	31	10	50	188	14	53.8	100	115	160	100	14	300	250	350	200	260	192.5	59	18	5	160	9	59	87	153	65.7
Mb 2632	63.3 → 315	31	-63	50	188	14	53.8	100	90	160	100	14	300	250	350	200	260	124	59	18	5	160	9	59	87	153	57.3
Mb 2534	378 → 1410	31	8.5	45	168	14	48.8	90	90	135	80	12	265	230	300	160	225	174	50	14	4	135	6	42	78	126	51.4
Mb 2532	66.6 → 313	31	-47	45	168	14	48.8	90	80	135	80	12	265	230	300	160	225	121	50	14	4	135	6	42	78	126	46.1
Mb 2433	76.3 → 1360	28	-7	35	138	10	38.3	75	70	115	63	12	215	180	250	160	190	107	50	14	4	115	5	57	64	126	28
Mb 2333	76.3 → 1360	23	-7	30	118	8	33.3	63	70	97	55	10	165	130	200	160	160	107	24	11	3.5	97	5	47	54	106	19
Mb 2233	76.3 → 1360	23.5	-7	25	108	8	28.3	56	70	84	45	10	165	130	200	160	140	107	24	11	3.5	84	5	46.5	49	100.5	16

Mb 26

Brake type	IMfinity® three-phase 4-pole motors MI							kg²	Brake type	IMfinity® three-phase 4-pole motors and FFB brake MI							kg²
	AC¹	HJ	J	LB	LJ	I	II			AC¹	HJ	J	LB	LJ	I	II	
LS 71 M	140	109	87	199.5	37	44	44	7.3	FFB1	140	130	160	299.5	25.5	55	55	10
LS 71 L	140	109	87	207.5	37	44	44	8.3	FFB1	140	130	160	299.5	25.5	55	55	11
LS 80 L	-	-	-	-	-	-	-	-	FFB1	170	141	160	347	49.5	55	55	14
LSES 80 LG	189	135	86	288	67.5	43	43	14.1	FFB1	189	151	160	430	54.5	55	55	18
LS 90 SL	-	-	-	-	-	-	-	-	FFB2	189	151	160	434.5	59	55	55	18
LSES 90 SL	189	135	86	290.5	71.5	43	43	16.2	FFB2	189	151	160	434.5	59	55	55	22.4
LS 90 L	-	-	-	-	-	-	-	-	FFB2	189	151	160	434.5	59	55	55	21
LSES 90 L	189	135	86	290.5	71.5	43	43	16.2	-	-	-	-	-	-	-	-	-
LSES 90 LU	189	135	86	321.5	71.5	43	43	20.4	FFB2	189	151	160	434.5	59	55	55	26.6
LS 100 L	-	-	-	-	-	-	-	-	FFB2	200	156	160	482.5	60	55	55	29
LSES 100 L	200	140	86	335.5	72	43	43	22.6	FFB2	200	156	160	482.5	60	55	55	29.6
LSES 100 LR	200	140	86	354.5	72	43	43	25.8	FFB2	200	156	160	482.5	60	55	55	32
LSES 100 LG	235	149	86	351	71	43	43	31	FFB3	235	165	160	458.5	59	55	55	37.6
LS 112 MG	-	-	-	-	-	-	-	-	FFB3	235	165	160	486	61.5	55	55	30
LSES 112 MU	235	149	86	369	71	43	43	37	FFB3	235	165	160	483.5	59	55	55	43.6

1. Housing diameter without lifting rings 2. The most binding values

Mb 25

Brake type	IMfinity® three-phase 4-pole motors MI							kg²	Brake type	IMfinity® three-phase 4-pole motors and FFB brake MI							kg²
	AC¹	HJ	J	LB	LJ	I	II			AC¹	HJ	J	LB	LJ	I	II	
LS 71 M	140	109	87	199.5	37	44	44	7.3	FFB1	140	130	160	299.5	25.5	55	55	10
LS 71 L	140	109	87	207.5	37	44	44	8.3	FFB1	140	130	160	299.5	25.5	55	55	11
LS 80 L	-	-	-	-	-	-	-	-	FFB1	170	141	160	347	49.5	55	55	14
LSES 80 LG	189	135	86	288	67.5	43	43	14.1	FFB1	189	151	160	430	54.5	55	55	18
LS 90 SL	-	-	-	-	-	-	-	-	FFB2	189	151	160	434.5	59	55	55	18
LSES 90 SL	189	135	86	290	71	43	43	16.2	FFB2	189	151	160	434.5	59	55	55	22.4
LS 90 L	-	-	-	-	-	-	-	-	FFB2	189	151	160	434.5	59	55	55	21
LSES 90 L	189	135	86	290	71	43	43	16.2	-	-	-	-	-	-	-	-	-
LSES 90 LU	189	135	86	321.5	71	43	43	20.4	FFB2	189	151	160	434.5	59	55	55	26.6
LS 100 L	-	-	-	-	-	-	-	-	FFB2	200	156	160	482.5	60	55	55	30
LSES 100 L	200	140	86	336	72	43	43	23	FFB2	200	156	160	482.5	60	55	55	28.8
LSES 100 LR	200	140	86	355	72	43	43	25.8	FFB2	200	156	160	482.5	60	55	55	32
LSES 100 LG	235	149	86	351	71	43	43	31	FFB3	235	165	160	458.5	59	55	55	37.6

1. Housing diameter without lifting rings 2. The most binding values

Mb 24, 23, 22

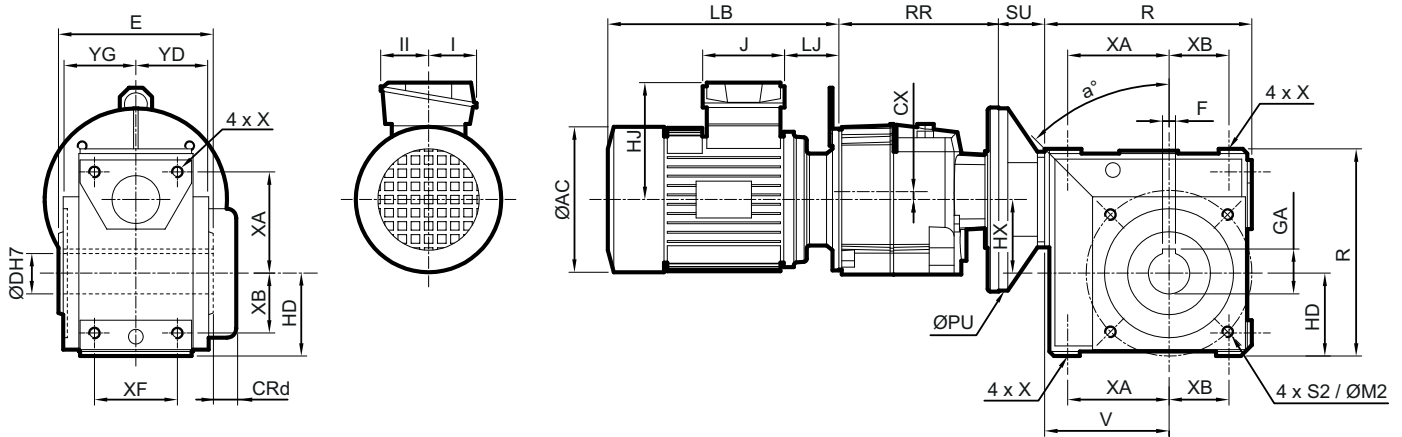
Brake type	IMfinity® three-phase 4-pole motors MI							kg²	Brake type	IMfinity® three-phase 4-pole motors and FFB brake MI							kg²
	AC¹	HJ	J	LB	LJ	I	II			AC¹	HJ	J	LB	LJ	I	II	
LS 71 M	140	109	87	219.5	57	44	44	7.3	FFB1	140	130	160	236	23.5	55	55	10
LS 71 L	140	109	87	227.5	57	44	44	8.3	FFB1	140	130	160	319.5	45.5	55	55	11
LS 80 L	-	-	-	-	-	-	-	-	FFB1	170	141	160	367	69.5	55	55	14
LSES 80 LG	189	135	86	308	87.5	43	43	14.1	FFB1	189	151	160	450	74.5	55	55	18

1. Housing diameter without lifting rings 2. The most binding values

Combined Mb dimensions

NU standard form, H hollow shaft

Dimensions in millimetres



Brake		Combined Multibloc NU H																				kg					
i		CRd	CX	DH7	E	EBd	F	GA	HC	HD	HX	M1	a°	PU	R	RR	SU	S1	S3	V	XA	XB	XC	XD	YD	YG	
Mb 2634	315 --> 1420	31	10	50	188	9	14	53.8	260	100	100	*	*	200	260	192.5	59	*	M14x20	160	50	100	65	190	87	87	55.7
Mb 2632	63.3 --> 315	31	-63	50	188	9	14	53.8	260	100	100	*	*	200	260	124	59	*	M14x20	160	50	100	65	190	87	87	47.3
Mb 2534	378 --> 1410	31	8.5	45	168	6	14	48.8	225	90	80	180	45	160	225	174	50	M12x20	M12x20	135	45	90	65	175	78	78	44.4
Mb 2532	66.6 --> 313	31	-47	45	168	6	14	48.8	225	90	80	180	45	160	225	121	50	M12x20	M12x20	135	45	90	65	175	78	78	39.1
Mb 2433	76.3 --> 1360	28	-7	35	138	5	10	38.3	190	75	63	130	45	160	190	107	50	M10x15	M10x15	115	43	86	61	162	64	64	22.5
Mb 2333	76.3 --> 1360	23	-7	30	118	5	8	33.3	160	63	55	115	45	160	160	107	24	M8x12	M8x12	97	35	70	43	120	54	54	15.5
Mb 2233	76.3 --> 1360	23.5	-7	25	108	5	8	28.3	140	56	45	105	45	160	140	107	24	M8x12	M8x12	84	30	60	38	105	49	49	13

* BT option (page 56): M1 = 165, a° = 60, S1 = M10x15 (x6)

Mb 26

Brake type	IMfinity® three-phase 4-pole motors MI							kg²	Brake type	IMfinity® three-phase 4-pole motors and FFB brake MI							kg²
	AC¹	HJ	J	LB	LJ	I	II			AC¹	HJ	J	LB	LJ	I	II	
LS 71 M	140	109	87	199.5	37	44	44	7.3	FFB1	140	130	160	299.5	25.5	55	55	10
LS 71 L	140	109	87	207.5	37	44	44	8.3	FFB1	140	130	160	299.5	25.5	55	55	11
LS 80 L	-	-	-	-	-	-	-	-	FFB1	170	141	160	347	49.5	55	55	14
LSES 80 LG	189	135	86	288	67.5	43	43	14.1	FFB1	189	151	160	430	54.5	55	55	18
LS 90 SL	-	-	-	-	-	-	-	-	FFB2	189	151	160	434.5	59	55	55	18
LSES 90 SL	189	135	86	290.5	71.5	43	43	16.2	FFB2	189	151	160	434.5	59	55	55	22.4
LS 90 L	-	-	-	-	-	-	-	-	FFB2	189	151	160	434.5	59	55	55	21
LSES 90 L	189	135	86	290.5	71.5	43	43	16.2	-	-	-	-	-	-	-	-	-
LSES 90 LU	189	135	86	321.5	71.5	43	43	20.4	FFB2	189	151	160	434.5	59	55	55	26.6
LS 100 L	-	-	-	-	-	-	-	-	FFB2	200	156	160	482.5	60	55	55	29
LSES 100 L	200	140	86	335.5	72	43	43	22.6	FFB2	200	156	160	482.5	60	55	55	29.6
LSES 100 LR	200	140	86	354.5	72	43	43	25.8	FFB2	200	156	160	482.5	60	55	55	32
LSES 100 LG	235	149	86	351	71	43	43	31	FFB3	235	165	160	458.5	59	55	55	37.6
LS 112 MG	-	-	-	-	-	-	-	-	FFB3	235	165	160	486	61.5	55	55	30
LSES 112 MU	235	149	86	369	71	43	43	37	FFB3	235	165	160	483.5	59	55	55	43.6

1. Housing diameter without lifting rings 2. The most binding values

Mb 25

Brake type	IMfinity® three-phase 4-pole motors MI							kg²	Brake type	IMfinity® three-phase 4-pole motors and FFB brake MI							kg²
	AC¹	HJ	J	LB	LJ	I	II			AC¹	HJ	J	LB	LJ	I	II	
LS 71 M	140	109	87	199.5	37	44	44	7.3	FFB1	140	130	160	299.5	25.5	55	55	10
LS 71 L	140	109	87	207.5	37	44	44	8.3	FFB1	140	130	160	299.5	25.5	55	55	11
LS 80 L	-	-	-	-	-	-	-	-	FFB1	170	141	160	347	49.5	55	55	14
LSES 80 LG	189	135	86	288	67.5	43	43	14.1	FFB1	189	151	160	430	54.5	55	55	18
LS 90 SL	-	-	-	-	-	-	-	-	FFB2	189	151	160	434.5	59	55	55	18
LSES 90 SL	189	135	86	290	71	43	43	16.2	FFB2	189	151	160	434.5	59	55	55	22.4
LS 90 L	-	-	-	-	-	-	-	-	FFB2	189	151	160	434.5	59	55	55	21
LSES 90 L	189	135	86	290	71	43	43	16.2	-	-	-	-	-	-	-	-	-
LSES 90 LU	189	135	86	321.5	71	43	43	20.4	FFB2	189	151	160	434.5	59	55	55	26.6
LS 100 L	-	-	-	-	-	-	-	-	FFB2	200	156	160	482.5	60	55	55	30
LSES 100 L	200	140	86	336	72	43	43	23	FFB2	200	156	160	482.5	60	55	55	28.8
LSES 100 LR	200	140	86	355	72	43	43	25.8	FFB2	200	156	160	482.5	60	55	55	32
LSES 100 LG	235	149	86	351	71	43	43	31	FFB3	235	165	160	458.5	59	55	55	37.6

1. Housing diameter without lifting rings 2. The most binding values

Mb 24, 23, 22

Brake type	IMfinity® three-phase 4-pole motors MI							kg²	Brake type	IMfinity® three-phase 4-pole motors and FFB brake MI							kg²
	AC¹	HJ	J	LB	LJ	I	II			AC¹	HJ	J	LB	LJ	I	II	
LS 71 M	140	109	87	219.5	57	44	44	7.3	FFB1	140	130	160	236	23.5	55	55	10
LS 71 L	140	109	87	227.5	57	44	44	8.3	FFB1	140	130	160	319.5	45.5	55	55	11
LS 80 L	-	-	-	-	-	-	-	-	FFB1	170	141	160	367	69.5	55	55	14
LSES 80 LG	189	135	86	308	87.5	43	43	14.1	FFB1	189	151	160	450	74.5	55	55	18

1. Housing diameter without lifting rings 2. The most binding values

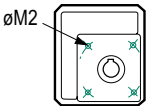
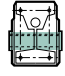
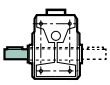
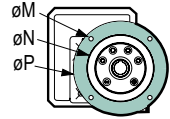
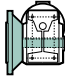
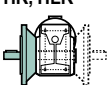
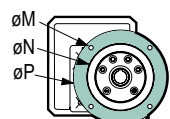
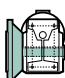

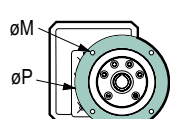

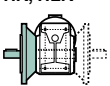
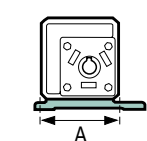
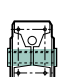

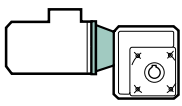
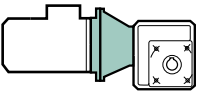
Geared motors with worm and wheel - IMfinity®

Multibloc

Mb dimensions

Synthesis

Dimensions in millimetres

			MULTIBLOC									
Mountings			Mb 4101	Mb 3101	Mb 2201	Mb 2301	Mb 2401	Mb 2501	Mb 2601			
	NU	Hollow shaft Ø x L	H		20H8 x 78 M2 = 85	20H7 x 90 M2 = 85	25H7 x 108 M2 = 105	30H7 x 118 M2 = 115	35H7 x 138 M2 = 130	45H7 x 168 M2 = 180	50H7 x 188 -	
		Output shaft	HL, HR, HLR		20j6 x 45 M2 = 85	20h6 x 40 M2 = 85	25h6 x 50 M2 = 105	30h6 x 60 M2 = 115	35h6 x 70 M2 = 130	45h6 x 90 M2 = 180	50h6 x 100 -	
	BSL flange (BSR)	Hollow shaft Ø x L	H		20H8 x 78 M = 100 N = 80 P = 120	20H7 x 90 -	25H7 x 108 M = 165 N = 130 P = 200	30H7 x 118 M = 165 N = 130 P = 200	35H7 x 138 M = 215 N = 180 P = 250	45H7 x 168 M = 265 N = 230 P = 300	50H7 x 188 M = 300 N = 250 P = 350	
		Output shaft	HL, HR, HLR		20j6 x 45 M = 100 N = 80 P = 120	20h6 x 40 -	25h6 x 50 M = 165 N = 130 P = 200	30h6 x 60 M = 165 N = 130 P = 200	35h6 x 70 M = 215 N = 180 P = 250	45h6 x 90 M = 265 N = 230 P = 300	50h6 x 100 M = 300 N = 250 P = 350	
	BDL flange (BDR)	Hollow shaft Ø x L	H		20H8 x 78 M = 85/115 N = 70/95 P = 105/140	20H7 x 90 -	25H7 x 108 M = 130 N = 110 P = 160	30H7 x 118 M = 130 N = 110 P = 160	35H7 x 138 M = 165 N = 130 P = 200	45H7 x 168 M = 215 N = 180 P = 250	50H7 x 188 M = 265 N = 230 P = 300	
		Output shaft	HL, HR, HLR		20j6 x 45 M = 85/115 N = 70/95 p = 105/140	20h6 x 40 -	25h6 x 50 M = 130 N = 110 P = 160	30h6 x 60 M = 130 N = 110 P = 160	35h6 x 70 M = 165 N = 130 P = 200	45h6 x 90 M = 215 N = 180 P = 250	50h6 x 100 M = 265 N = 230 P = 300	
	BNL flange (BNR)	Hollow shaft Ø x L	H		- M = 100*/85*/115 P = 120/105/140	20H7 x 90 M = 165 N = 130 P = 200	25H7 x 108 M = 165 N = 130 P = 200	30H7 x 118 M = 165 N = 130 P = 200	35H7 x 138 M = 215 N = 180 P = 250	45H7 x 168 M = 265 N = 230 P = 300	-	
		Output shaft	HL, HR, HLR		- M = 100*/85*/115 P = 120/105/140	20h6 x 40 M = 165 N = 130 P = 200	25h6 x 50 M = 165 N = 130 P = 200	30h6 x 60 M = 165 N = 130 P = 200	35h6 x 70 M = 215 N = 180 P = 250	45h6 x 90 M = 265 N = 230 P = 300	-	
	NU or S offset feet fixing NSD, NSF, NSU	Hollow shaft Ø x L	H		20H8 x 78 A = 63 B = 63	20H7 x 90 A = 63 B = 63	25H7 x 108 A = 134 B = 125	30H7 x 118 A = 154 B = 128	35H7 x 138 A = 202 B = 156	45H7 x 168 A = 202 B = 156	50H7 x 188 A = 250 B = 180	
		Output shaft	HL, HR, HLR		20j6 x 45 A = 63 B = 63	20h6 x 40 A = 63 B = 63	25h6 x 50 A = 134 B = 125	30h6 x 60 A = 154 B = 128	35h6 x 70 A = 202 B = 156	45h6 x 90 A = 202 B = 156	50h6 x 100 A = 250 B = 180	
	MUT / LS, LSES	B14 Std CEI		56	FT65 - 9x20	-	-	-	-	-	-	
		B14 adapted		63	FT75 - 11x23	-	-	-	-	-	-	-
				71	FT85 - 14x30	FT85 - 14x30	FT85 - 14x30	FT85 - 14x30	FT85 - 14x30	-	-	-
				80	-	FT85 - 14x30	FT85 - 14x30	FT100 - 19x40	FT100 - 19x40	FT100 - 19x40	FT100 - 19x40	-
				90	-	-	FT100 - 19x40	FT100 - 19x40	FT100 - 19x40	FT100 - 19x40	FT100 - 19x40	-
				100 - 112	-	-	-	FT115 - 24x50	FT115 - 24x50	FT115 - 24x50	FT115 - 24x50	-
				132	-	-	-	-	FT130 - 28x60	FT130 - 28x60	FT130 - 28x60	-
	MUF / LS, LSES	B5 Std CEI		71	-	-	FF130 - 14x30	FF130 - 14x30	FF130 - 14x30	-	-	
		B5 adapted		80	-	-	FF130 - 14x30	FF130 - 14x30	FF130 - 14x30	-	-	
				90	-	-	FF165 - 19x40	FF165 - 19x40	FF165 - 19x40	FF165 - 19x40	-	
				100 - 112	-	-	FF130 - 19x40	FF165 - 19x40	FF165 - 19x40	FF165 - 19x40	FF165 - 19x40	-
				132	-	-	-	FF165 - 24x50	FF165 - 24x50	FF165 - 24x50	FF165 - 24x50	FF165 - 24x50

M = 100*/85* : Flange with through holes

Geared motors with worm and wheel - IMfinity®

Multibloc

Mb dimensions

Equipment and options

In the case of pendular mounting, LEROY-SOMER proposes a torque arm **R** which is fastened on the lateral face, either left **R L** or right **R R** for Mb 4101, Mb 3101, Mb 2201 to 2501 Mb.

In standard version, the torque arm (fitted with a flexible Silentbloc shock mount) is supplied separately, and painted in black **R K** (except unpainted Mb 4101).

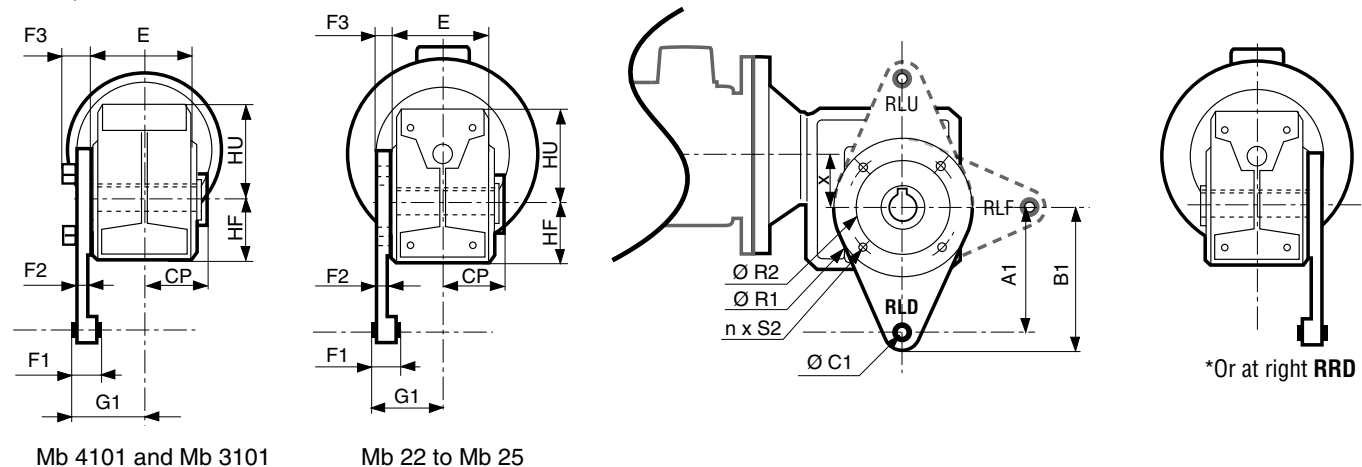
Optionally, the torque arm is supplied mounted on the gearbox: in this case specify **R** (right) or **L** (left) mounting side and **D**, **F** or **U** orientation.

The torque arm can be face down **R L D**, front **R L F** or up **R L U**.

R L D* form

*or RLF, or RLU

Dimensions in millimetres



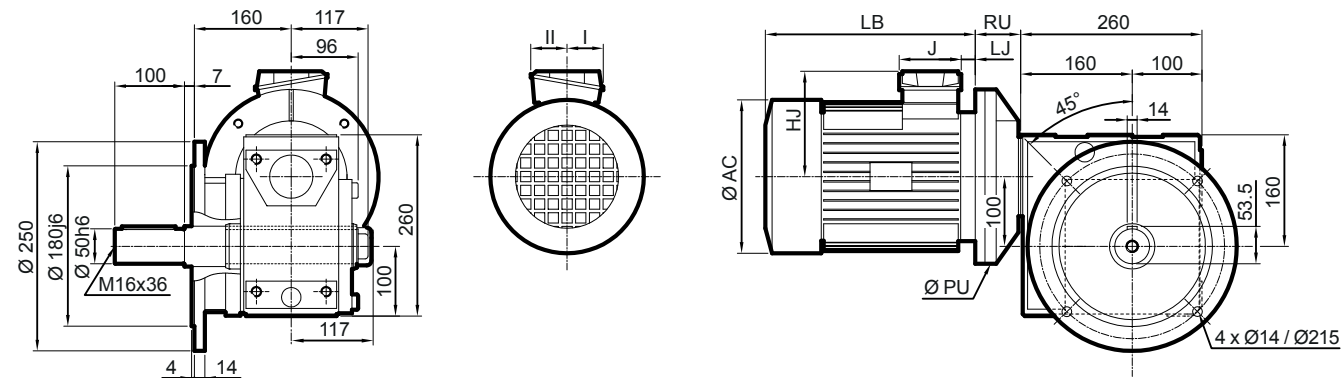
Mb 4101 and Mb 3101

Mb 22 to Mb 25

Brake	Torque arm R ¹																	kg
	A1	B1	CP	C1	E	F1	F2	F3	G1	HF	HU	R1	R2	α	n	S2	x	
Mb 2501	310	340	109	16 H10	168	54	23	25	105	90	135	225	135	45°	4	M12x25	80	6.7
Mb 2401	200	230	92	16 H10	138	54	23	25	91	75	115	179	97	45°	4	M10x25	63	4.3
Mb 2301	160	181	77	10 H10	118	33	14	16	71.5	63	97	153	86	45°	4	M8x15	55	1.8
Mb 2201	130	151	72.5	10 H10	108	33	14	16	66.5	56	84	133	77	45°	4	M8x15	45	1.4
Mb 3101	100	120	64	10 H10	90	23	6	11.5	48.5	50	70	109	68	45°	4	M8x20	40	0.5
Mb 4101	100	120	63	10 H10	78	24	5	9	57.5	50	71.5	-	-	0°	4	M6x16	40	0.5

BD2 L* flange on left, HL* output shaft for Mb 26

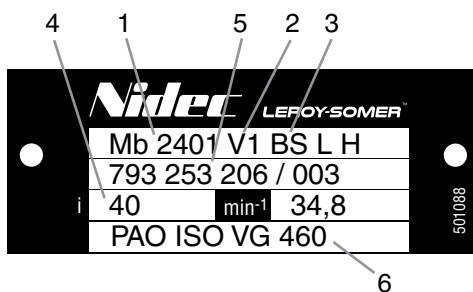
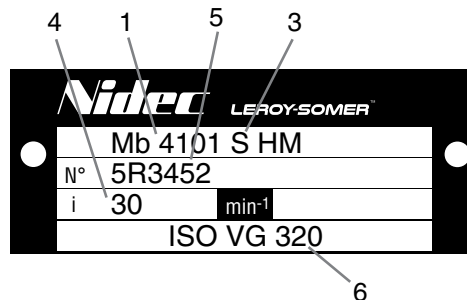
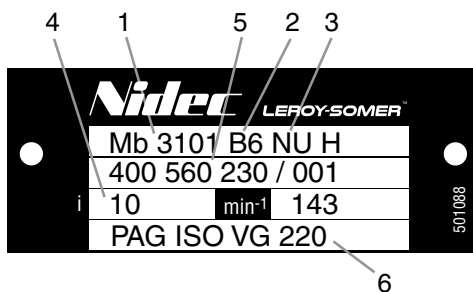
* option on right BD2 R HR: identical flange and shaft



NAMEPLATES

The nameplate identifies the motors, indicate the main performance and show compatibility of the motor concerned with the main standards and concerning them.

Examples:



Information to be mentioned in each spare parts order:

①	②	③	④	⑤	⑥	
Mb: Multibloc gearbox 3101: gearbox type	B6: operating position	NU: fixing form H: output shaft form	i: exact reduction	No.: serial number N/ 001: order number in the series	PG, PAG or PAO ISO VG: lubrication according to ISO 320, 220: viscosity grade at 40°C in cSt or 460 Option : lubrication synthetic oil USDA H1 PAO H1 ISO VG 460 (Mb 4101 excluded)	min⁻¹: number of revolutions per minute

SPECIFIC MARKING (for Mb 3101, Mb 22 to 26)



INERIS no. 03 ATEX 0013X: Geared motor
INERIS no. 03 ATEX 3005X: Gearbox



Legal mark of compliance of the equipment
according to the requirements of European Directives

Special marking (ATEX)

0080 : Identification of INERIS (Notified Body)



: Specific marking

II 2D : Group II, category 2, Conductive dusts or:

II 3D : Group II, category 3, non-conductive dusts

c : Meshing point protection

T max : Maximum surface temperature: e.g. 125°C

T lub: lubricant : Temperature recorded during plant tests (ambient temperature 20 °C)

Certificate no. : No. of the CE type certificate issued by INERIS (group II 2D)

Possibly: additional marking provided for in the EC certificate

Geared motors with worm and wheel - IMfinity®

Multibloc

Identification

LSES motor - Aluminium housing

NAMEPLATES

IE2 power < 7.5 kW

Mains supply plate

V	Hz	min-1	kW	cos φ	A
Δ 230	50	1420	0,37	0,7	1,9
Y 380/400	50	1410	0,37	0,7	1,1
T 415	50	1430	0,37	0,65	1,1
Y 440/460	60	1710	0,44	0,7	1,1

Frame size 56 to 71

V	Hz	min-1	kW	cos φ	A
λ 380	50	1435	4.00	0.85	8.25
Δ 230	50	1445	4.00	0.84	13.60
λ 400	50	1445	4.00	0.84	7.85
λ 415	50	1450	4.00	0.82	7.70
λ 460	60	1756	4.00	0.82	6.85

Drive supply plate

V	Hz	min-1	kW	cos φ	A
λ 400	50	1435	4.00	0.86	8.50
Δ 400	87	2545	6.96	0.86	14.80

IE3 power < 7.5 kW*

Mains supply plate

V	Hz	min-1	kW	cos φ	A
λ 380	50	1450	4.00	0.83	8.30
Δ 230	50	1458	4.00	0.80	14.10
λ 400	50	1458	4.00	0.80	8.10
λ 415	50	1462	4.00	0.78	8.05
λ 460	60	1764	4.00	0.79	7.10

Drive supply plate

V	Hz	min-1	kW	cos φ	A
λ 400	50	1452	4.00	0.85	8.45
Δ 400	87	2562	6.96	0.85	14.70

* Valid only for 2 & 4 pole motors except 2P 3 kW and 4P 2.2 kW.

Aluminium 6P motors all powers and 2P 3 kW and 4P 2.2 kW are available in CSAe, ee, cCSAus, NEMA Premium version as options upon specific request.

Plate values provided for information only

The nameplate identifies the motors, indicate the main performance and show compatibility of the motor concerned with the main standards and concerning them.

Definition of symbols on nameplates



Legal mark of compliance of equipment with the requirements of European Directives

Mains supply plate:

MOT 3 ~ : Three-phase A.C. motor
LSES : Series
112 : Frame size
MU : Housing description
T : Impregnation index

Motor no.

123456 : Motor serial number
N : Month of production
14 : Year of production
001 : Order no. in the series
IE2 : Efficiency class
86.6% : Efficiency at 4/4 load

IP55 IK08 : Degree of protection
I cl. F : Insulation class F
Ta 40°C : contractual ambient temperature
S1 : Duty - Duty (operating) factor
kg : Weight
V : Supply voltage
Hz : Supply frequency
min⁻¹ : Revolutions per minute
kW : Rated output power
cos φ : Power factor
A : Rated current
Δ : Delta connection
Y : Star connection

Bearings

DE : Drive end bearing
NDE : Non drive end bearing
g : Amount of grease at each regreasing (in g)
h : Lubrication interval (hours)

POLYREX EM103: Type of grease

A : Vibration level
H : Balancing mode

Please quote when ordering spare parts

Drive supply plate:

Inverter settings : Values necessary to set the frequency inverter
Motor performance : Torque available on the motor shaft in % rated torque at the plate frequencies
Min. Fsw (kHz) : Minimum cut-off frequency acceptable for the motor
Nmax (min⁻¹) : Maximum mechanical speed acceptable for the motor

Plate values provided for information only

NAMEPLATES

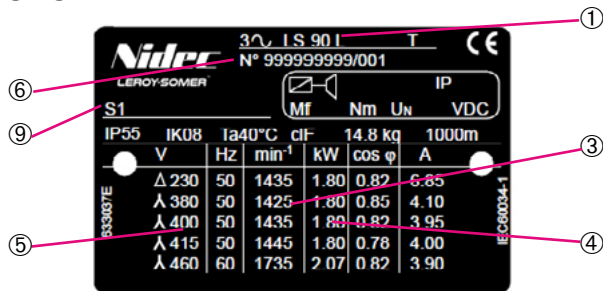
Check that the equipment conforms to the order: mounting arrangement, information on the nameplate.

Information ① to ⑪ should be quoted when ordering spare parts.

Other logos can optionally be provided: agreement prior to ordering is essential.

Example: **LS 90 L IFT/NIE**

MOTOR NAMEPLATE



Definition of symbols

T: Impregnation class

NIE or IE3: Efficiency class

IP-- IK--: Protection index*

Cl.F: Insulation class

(Ta) 40°C: contractual ambient operating temperature

cos P or φ: power factor

A: Rated current

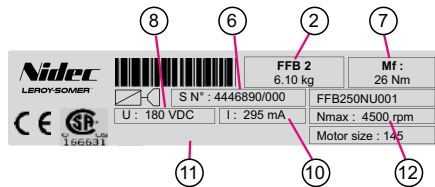
Δ: delta connection

Λ: Star connection

⬠ A : Vibration level

Ⓜ H : Balancing mode

BRAKE NAMEPLATE



Bearings

DE: Drive end bearing

NDE: Non drive end bearing

Marking

Definition of symbols used on nameplates:

CE: Legal mark of conformity of product to the requirements of European Directives

CSA: Product certified CSA, conforming to UL

*IK: Shock resistance

The motor can withstand a weak mechanical shock (IK 08 according to EN 50102). **The user must provide additional protection if there is a risk of significant mechanical shock.**

Essential information included on the nameplates:

①	Motor series, frame size
②	FFB brake type
③	Speed of rotation (RPM ⁻¹)
④	Rated power (kW)
⑤	Motor voltage (V)
⑥	Motor and brake manufacturing no.
⑦	Mf: Braking torque (N.m)
⑧	U: Brake coil voltage (VDC)
⑨	Duty - Duty (operating) factor
⑩	I: Coil current (mA)
⑪	Special marking (ATEX)
⑫	rpm: Maximum usage speed

Please quote when ordering spare parts

Installation

ACCEPTANCE

Check the equipment's condition. In case of damage whether on it or its packaging, make reservations with the carrier (if applicable, overhauling shall be handled within the guarantee).

Check that the equipment conforms to the order (mounting arrangement, information on the nameplates).

See manual 2557

MATERIALS HANDLING

- When the equipment is fitted with lifting rings, these are planned for lifting it only.

STORAGE

Store the equipment in a clean, dry location, protected from shocks, vibrations, variations in temperature (included between -30°C and +50°C) and in an environment with relative humidity of less than 80%.

Extended storage (> 1 year)

- Fill the gearbox fully with oil (upon start up, change the oil and top up as indicated in the manual of the gearbox concerned) except if the equipment is lubricated for life. Coat the external seal(s) with grease.
- Enclose the unit in a sealed plastic envelope (e.g. thermogluing) with desiccant bag inside.
- For brake geared motors with manual release, unlock the brake to avoid sticking.

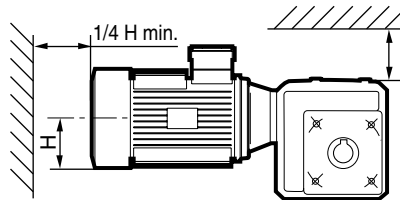
COMMISSIONING

Installation must be performed by qualified personnel.

- Mount the gearboxes onto rigid and flat supports free of vibration. Use screws of sufficient length and quality class (class 8.8 min) and tighten them at 70 % their elastic limit.
- Remove the protections from the shaft(s) and flange(s): plastic end pieces, oil or varnish (if necessary, use a solvent while avoiding any contact with the seals).
- For gearboxes lubricated with oil, check or top up the oil level.
- Fit the breather cap at the high point of the gearbox, when the equipment features one.
- Lubrication: refer to the appropriate manuals (page 2).

Allow sufficient room around the geared motor for plugs accessibility:

- standard G1/8" plug for Mb 22 to 25,
- G3/8" plug for Mb 26,
- no plug for Mb 4101, 3101 which are lubricated for life.



LUBRICATION

For operating between -20°C and +40°C, the Multibloc gearbox is supplied, as standard, lubricated with a synthetic oil of the type:

- for **Mb 4101**: PG (polyglycol) ISO VG 320 (AGIP TELIUM VSF),
- for **Mb 3101**: PAG (Polyalkylene Glycol) ISO VG 220 (Shell OMALA S4WE 220, approved by our technical services),
- for **Mb 2201 to Mb 2601**: PAO (Poly Alpha Olefin) ISO VG 460.



You must use an oil of the recommended type.

Polyglycol lubricants cannot be mixed with mineral or synthetic lubricants of a different type.



A maintenance fault may cause material or bodily damage. Check regularly that the recommendations concerning mechanical and electrical installation are still complied with.

Options

For a duty factor $K \geq 1$ and operation between:

- -30°C and -10°C:
synthetic oil ISO VG 150
(max. T° of oil: 90°C continuously),
- -50°C and -30°C:
synthetic oil ISO VG 32
(max. T° of oil: 40°C continuously).

For use in the agro-food industry, we deliver gearboxes (Mb 3101, Mb 22 to Mb 26) in accordance with the Machinery Directive 89/392/EEC and meeting the requirements of the USDA (United States Department of Agriculture) with option PAO H1 ISO VG 460: lubricant that can come into accidental contact with food.

Packaging weight and dimensions

ROAD TRANSPORT (code 30) OR AIR TRANSPORT (code 40)

Cardboard box ¹		
Ref.	Tare	Dimensions (L x W x H) ²
	kg	mm
P0 000	0.25	245 x 190 x 150
P0 100	0.35	256 x 222 x 165
P0 200	0.40	330 x 288 x 172
R1	0.25	330 x 145 x 200
R2	0.50	420 x 200 x 240
R3	0.65	520 x 220 x 280
R4	1.05	550 x 320 x 360
R5	0.85	580 x 260 x 280
R6	1.30	780 x 300 x 430
R7	0.75	420 x 300 x 260
R8	0.90	500 x 330 x 290
R5 Marine	0.85	580 x 260 x 280

Open pallet box or open-slat crate		
Tare	Outer dimensions (L x W x H) ²	Inner dimensions (L x W x H) ²
kg	mm	mm
10	720 x 420 x 550	650 x 350 x 400
26	830 x 520 x 660	760 x 450 x 500
30	990 x 570 x 620	920 x 500 x 550
47	920 x 870 x 700	850 x 800 x 550
48	990 x 870 x 880	920 x 800 x 720
45	1,270 x 870 x 700	1,200 x 800 x 550
47	1,270 x 870 x 880	1,200 x 800 x 720
61	1,270 x 1,070 x 730	1,200 x 1,000 x 550
62	1,270 x 1,070 x 900	1,200 x 1,000 x 720
64	1,270 x 1,070 x 1,050	1,200 x 1,000 x 870

PACKAGING FOR SEA TRANSPORT (code 10)

Plywood crates		
Tare	Outer dimensions (L x W x H) ²	Inner dimensions (L x W x H) ²
kg	mm	mm
20	740 x 480 x 730	680 x 420 x 600
26	840 x 520 x 710	760 x 440 x 530
30	980 x 560 x 720	920 x 500 x 550
58	1,120 x 750 x 850	1,040 x 680 x 670
60	1,100 x 950 x 680	1,020 x 870 x 500
80	1,100 x 950 x 1,180	1,020 x 870 x 1,000

¹ maximum permissible weight : 50 kg

² these approximate values are given for individual packages. Packages grouped in open slat crates for quantity of machines supplied > 5, in the majority of cases.

Geared motors with worm and wheel - IMfinity® Multibloc

Configurator



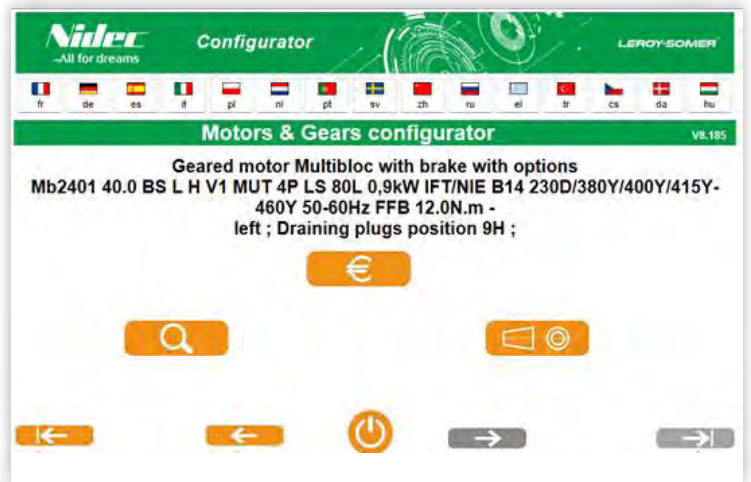
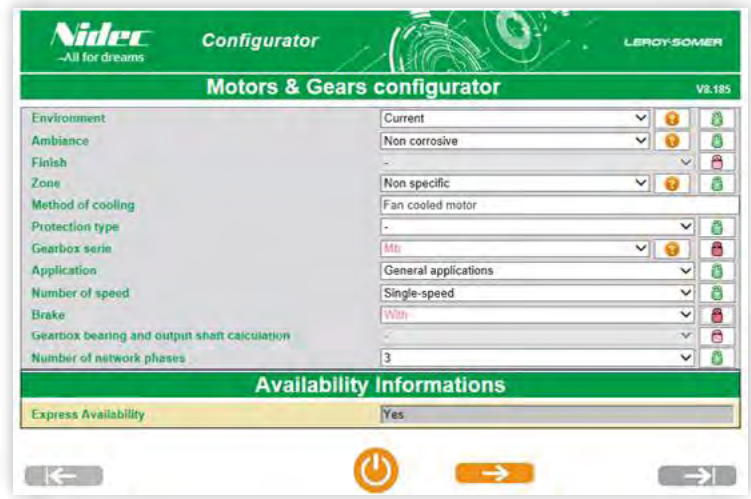
The configurator is a powerful tool to help in the selection of motors or gearboxes associated with variable speed drives. The continued evolution of this software is an important further step in case of the motors and geared motors IMfinity®, providing the user the option to associate with the drive the motor which he selects.

Our motors, geared motors and drives associated with this advanced tool ensure you the best combination of products during the selection for your applications.

You can also benefit because of a very short time to do this, contact your Automation Centre to see whether your country is covered by the offer *Express Availability* or by *Express transport* in 24 hours.

Register online at:
<http://configureur.les.leroy-somer.com/fr/inscrire.php>

- Product selection support
- Information on offer of time
- Print-outs of technical specifications
- Print-outs of 2D and 3D CAD files
- The equivalent of 300 catalogues in 15 languages.



Service

Audit & Advice

- Facilities audit
- Energy optimisation
- Modernisations
- Installed facilities management



Installation & commissioning

- Installation
- Commissioning
- Extended warranty
- Training



Maintenance

- Emergency services
- On-demand services
- Contracts

MAINTENANCE

The scheduled maintenance of your facilities ensures continuity of your production flow and extends equipment lifetime, while ensuring a good return on investment.

In case of emergency, we offer services ensuring you have the solution allowing your facilities to be restarted in the shortest possible time.

We believe maintenance relies on experts close to your facilities, available 24/7, monitoring your equipment's operation, knowing how to define the level of intervention required according to the context, and able to intervene urgently.

Unique services and assistance

- Proximity network with 200 service partners
- 24 hours Express Transport option

To verify if the 24h Express transport option is available for your country, please contact your local Automation Center.



MONITORING CONTRACTS

Maintaining drive systems in operating condition at all times is vital for proper operation of your equipment, whether on line production units or utilities.

Settings monitoring programs allow detecting any drift and anomalies, often causing malfunctions.

MAINTENANCE CONTRACTS

Observing checking intervals and changing first wear devices and parts are operations which are often complex and tedious due to the many pieces of equipment present in an industrial site.

To facilitate these operations, our solutions allow managing maintenance of the drives.

EXPRESS AVAILABILITY COMMITMENT



- Ready to ship in 1 to 10 working days
- Motors, servo motors, geared motors, drives, options and accessories
- Limited quantity
- Access to the list of eligible products for *Express* availability, and the corresponding conditions, directly on our website

Express Availability

Being able both to respond to urgent requests and adhere to promised customer lead times calls for a powerful logistics system.

The availability of geared motors is ensured by the network of approved partners and Leroy-Somer central services all working together.

The selection data in the offer *Express Availability Drive systems* use a colour code to specify the product delivery time for each family, according to the quantities ordered.

Consult Leroy-Somer.

The illustration of the delivery time below for the equipment selected page 18, i.e. D+5; D being the day the order is received by the factory before 12:00 am.

FMD - FFB - IFT/NIE brakes geared motors (outside efficiency class) MULTIBLOC wheel and screw Current environment - fixed speed

Universal mounting	MUT
Universal mounting	MUF
Input shaft mounting	AP

PROVISIONING TIME FOR EX-FACTORY (FRANCE), ON WORKING DAYS

Orders received at the factory on the day J before noon, the Central European Time, within the limits of maximum quantity, will follow the times of provision indicated below.

For orders of products with options, the provisioning time is that of the longest time of the product or its options.

If the order is received after noon, provisioning time is increased by one working day.

The maximum quantity is defined per order line. For above the max. quantity, please consult your commercial agency.

D	D+1	D+2	D+5	D+10	Please consult Leroy-Somer
---	-----	-----	-----	------	----------------------------

Associated range of FMD or FFB brake motors - IMfinity® NIE (except motors in italics: not concerned by the IE) 4p IP55 class F motors

Mb + 4p LS FMD - FFB - IFT/NIE - 230 V Δ / 380 V Y / 400 V Y / 415 V Y - 460 V Y or 400 V Δ Brakes: Built-in power supply 180 V - Factory-set braking torque

Motor type	Brake type	Mf ¹ Nm	Mounting	P _R kW	RPM i	Mb 3101									
						17.8	23.8	28.5	35.6	47.5	57.0	71.3	95.0	143	187
LS 71 M	FFB1	4.5	MUT	0.25	400 V	80	60	50	40	30	25	20	15	10	7.5
LS 71 M	FFB1	4.5	MUT	0.37	Y	5	5	5	5	5	5	5	5	5	5
LS 71 L	FFB1	6	MUT	0.55	Y	5	5	5	5	5	5	5	5	5	5

Motor type	Brake type	Mf ¹ Nm	Mounting	P _R kW	RPM i	Mb 2401										
						14.4	17.9	23.8	28.6	36.0	47.9	56.3	73.6	99.1	139	198
LS 80 L	FFB1	12	MUT or MUF	0.55	400 V	100	80	60	50	40	30	25.5	19.5	14.5	10.3	7.25
LS 80 L	FFB1	12	MUT or MUF	0.75	Y	5	5	5	5	5	5	5	5	5	5	5
LS 80 L	FFB1	12	MUT or MUF	0.9	Y	5	5	5	5	5	5	5	5	5	5	5
LS 90 SL	FFB2	19	MUT or MUF	1.1	Y	5	5	5	5	5	5	5	5	5	5	5
LS 90 L	FFB2	19	MUT or MUF	1.5	Y	5	5	5	5	5	5	5	5	5	5	5
LS 90 L	FFB2	26	MUT or MUF	1.8	Y	5	5	5	5	5	5	5	5	5	5	5
LS 100 L	FFB2	26	MUT or MUF	2.2	Y	5	5	5	5	5	5	5	5	5	5	5
LS 100 L	FFB3	52	MUT or MUF	3	Y	5	5	5	5	5	5	5	5	5	5	5
LS 112 MG	FFB3	52	MUT or MUF	4	Y	5	5	5	5	5	5	5	5	5	5	5
LS 132 S	FFB3	67	MUF ²	5.5	Y	5	5	5	5	5	5	5	5	5	5	5

1. values given for information only; for standards-related restrictions, please consult Leroy-Somer 2. LS 132 FF165 ba 28x60 mandatory

MULTIBLOC - MECHANICAL OPTIONS CORRESPONDING TO THE FIXING FORM AND HOLLOW SHAFT H

Brake	Mb forms							Torque arm	Input shaft
	Feet	Smooth hole flange		Tapped holes					
	NU	NS D/F/U	BSL / BSR	BDL / BDR	BNL / BNR	BTLR	RK	AP	
Mb 4101									
Mb 3101									
Mb 2201									
Mb 2301									
Mb 2401									
Mb 2501									
Mb 2601									

SAVING YOUR TIME

The delivery programs for products in *Express Availability* are accessible strictly through our web pages: <http://lrsm.co/dispo-en> (chapter 6: Gearboxes-Geared motors)

You can also scan the QR code for direct access:



Notes

**Express
Availability**



The Express Availability *Commitment*

**The drives, motors, geared motors
and servomotors you need,
at the right time**



LEROY-SOMER™

LEROY-SOMER[™]

www.leroy-somer.com

Connect with us at:

twitter.com/Leroy_Somer_en

facebook.com/leroy-somer.nidec.en

youtube.com/user/LeroySomerOfficiel

linkedin.com/company/leroy-somer



Nidec
All for dreams

© 2018 Moteurs Leroy-Somer SAS. The information contained in this brochure is for guidance only and does not form part of any contract. The accuracy cannot be guaranteed as Moteurs Leroy-Somer SAS have an ongoing process of development and reserve the right to change the specification of their products without notice.

Moteurs Leroy-Somer SAS. Headquarters: Bd Marcellin Leroy, CS 10015, 16915 Angoulême Cedex 9, France. Share Capital: 65 800 512 €, RCS Angoulême 338 567 258.