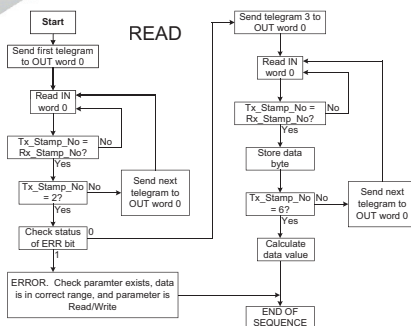


POWERDRIVE
UNIDRIVE SP
VARMECA 33/34
PROXIDRIVE
DIGIDRIVE SK



*This manual is to be given
to the end user*



SM-PROFIBUS DP **Solutions module for** **fieldbus communication** User guide

General Information

The manufacturer accepts no liability for any consequences resulting from inappropriate, negligent or incorrect installation or adjustment of the optional operating parameters of the equipment or from mismatching the variable speed drive with the motor.

The contents of this guide are believed to be correct at the time of printing. In the interests of a commitment to a policy of continuous development and improvement, LEROY-SOMER reserves the right to change the specification of the product or its performance or the contents of this guide without notice.

All rights reserved. No parts of this guide may be reproduced or transmitted in any form or by any means, electrical or mechanical including photocopying, recording or by an information storage or retrieval system, without permission in writing from the publisher.

Contents

1	Safety Information	6
1.1	Warnings, Cautions and Notes	6
1.2	Electrical safety - general warning	6
1.3	System design and safety of personnel	6
1.4	Environmental limits	7
1.5	Compliance with regulations	7
1.6	Motor	7
1.7	Adjusting parameters	7
2	Introduction	8
2.1	What Is PROFIBUS-DP?	8
2.2	What is SM-PROFIBUS-DP?	10
2.3	General specification	10
2.4	Solutions Module identification	11
3	Mechanical installation	12
3.1	General Installation	12
4	Electrical installation	13
4.1	SM-PROFIBUS-DP terminal descriptions	13
4.2	SM-PROFIBUS-DP connectors	13
4.3	PROFIBUS-DP cable	14
4.4	Unidrive SP: SM-PROFIBUS-DP cable shield connections	15
4.5	Digidrive SK: SM-PROFIBUS-DP shield connections	16
4.6	Proxidrive : SM-PROFIBUS-DP shield connections	16
4.7	Powerdrive : SM-PROFIBUS-DP shield connections	17
4.8	Varmeca 33/34 : SM-PROFIBUS-DP shield connections	18
4.9	General grounding considerations	18
4.10	PROFIBUS-DP network termination	19
4.11	Maximum network length / device loading	20
4.12	Node addressing	20
4.13	Spurs	20
4.14	Minimum node to node cable length	20
5	Getting started	21
5.1	Conventions used in this guide	21
5.2	Set-up flow chart	22
5.3	SM-PROFIBUS-DP node address	23
5.4	SM-PROFIBUS-DP data rate	23
5.5	SM-PROFIBUS-DP data format	23
5.6	SM-PROFIBUS-DP operating status	24
5.7	Re-initialising the SM-PROFIBUS-DP	25
5.8	Unidrive SP: Re-initialise all Solutions Modules	25
5.9	Saving parameters to the drive	25
6	GSD Files	26
6.1	What are GSD Files?	26
6.2	Data consistency	26
6.3	Data configuration	27

7	Non-cyclic data	28
7.1	What is non-cyclic data?	28
7.2	Setting the non-cyclic mode	28
7.3	Mode 1 - CT Single Word mode	29
7.4	Reading parameters using CT Single Word	31
7.5	Mode 2 - PPO 4 Word mode	38
7.6	SM-PROFIBUS-DP configuration using non-cyclic data	45
8	Cyclic data	46
8.1	What is cyclic data?	46
8.2	Data formats	46
8.3	SM-PROFIBUS-DP mapping conflicts	49
8.4	Cyclic data mapping errors	49
8.5	Mapping limitations	50
8.6	Disabling mappings	50
9	Control and status words	51
9.1	What are control and status words?	51
9.2	Control word	51
9.3	Status word	53
10	Diagnostics	55
10.1	Diagnostic flow chart	56
10.2	Module ID code	57
10.3	SM-PROFIBUS-DP firmware version	57
10.4	SM-PROFIBUS-DP node address	57
10.5	SM-PROFIBUS-DP data rate	57
10.6	SM-PROFIBUS-DP data format	58
10.7	SM-PROFIBUS-DP operating status	58
10.8	SM-PROFIBUS-DP mapping status	59
10.9	Drive trip display codes	61
10.10	SM-PROFIBUS-DP error codes	62
10.11	SM-PROFIBUS-DP serial number	62
11	Advanced Features	63
11.1	SM-PROFIBUS-DP network loss trip	63
11.2	SYNC and FREEZE Mode	64
11.3	SM-PROFIBUS-DP data endian format	64
11.4	Unidrive SP: Inter-option communication timing	65
11.5	Cyclic data compression	65
11.6	Unidrive SP and Digidrive SK: Block mapping	66
11.7	Direct data mapping	68
11.8	Custom SM-PROFIBUS-DP data formats	69
11.9	Restore SM-PROFIBUS-DP defaults	69
11.10	Storing SM-PROFIBUS-DP parameters (backup)	70
11.11	Restore previous SM-PROFIBUS-DP configuration	71
11.12	Menu 60 - Local Solutions access	72
11.13	Unidrive SP: Mapping to SM-Applications parameters	72
11.14	Unidrive SP: EVENT task trigger in SM-Applications	73
11.15	Multi-master operation	74
11.16	SM-PROFIBUS-DP network compatibility mode	75

12	PROFIdrive profile	76
12.1	Compatibility	76
12.2	What is PROFIdrive profile?	76
12.3	PPO Types	76
12.4	Configuring the Profile	78
12.5	PROFIdrive control word	78
12.6	PROFIdrive status word	79
12.7	Main setpoint	80
12.8	Main Actual Value	81
12.9	PROFIdrive state diagram	81
13	Quick reference	84
13.1	Complete parameter reference	84
14	Glossary Of Terms	87
	Index	90

1 Safety Information

1.1 Warnings, Cautions and Notes



A **Warning** contains information, which is essential for avoiding a safety hazard.



A **Caution** contains information, which is necessary for avoiding a risk of damage to the product or other equipment.



A **Note** contains information, which helps to ensure correct operation of the product.

1.2 Electrical safety - general warning

The voltages used in the drive can cause severe electrical shock and/or burns, and could be lethal. Extreme care is necessary at all times when working with or adjacent to the drive.

Specific warnings are given at the relevant places in this User Guide.

1.3 System design and safety of personnel

The drive is intended as a component for professional incorporation into complete equipment or a system. If installed incorrectly, the drive may present a safety hazard.

The drive uses high voltages and currents, carries a high level of stored electrical energy, and is used to control equipment which can cause injury.

Close attention is required to the electrical installation and the system design to avoid hazards either in normal operation or in the event of equipment malfunction. System design, installation, commissioning and maintenance must be carried out by personnel who have the necessary training and experience. They must read this safety information and this User Guide carefully.

The STOP and SECURE DISABLE functions of the drive do not isolate dangerous voltages from the output of the drive or from any external option unit. The supply must be disconnected by an approved electrical isolation device before gaining access to the electrical connections.

With the sole exception of the SECURE DISABLE function, none of the drive functions must be used to ensure safety of personnel, i.e. they must not be used for safety-related functions.

Note that the SECURE DISABLE function is available as standard on the Powerdrive, Proxdrive, Varmeca 33/34 and Unidrive SP. The Digidrive SK do not have a secure disable feature.

ATTENTION : For Powerdrive, Proxdrive and Varmeca 33/34 with SM-Profibus DP, the SECURE DISABLE function meet the requirements of EN954-1 category 1 only.

Careful consideration must be given to the functions of the drive which might result in a hazard, either through their intended behaviour or through incorrect operation due to a fault. In any application where a malfunction of the drive or its control system could lead to or allow damage, loss or injury, a risk analysis must be carried out, and where necessary, further measures taken to reduce the risk - for example, an over-speed protection device in case of failure of the speed control, or a fail-safe mechanical brake in case of loss of motor braking.

The SECURE DISABLE function and secure input on Unidrive SP meet the requirements of EN954-1 category 3 for the prevention of unexpected starting of the drive. They may be used in a safety-related application. **The system designer is responsible for ensuring that the complete system is safe and designed correctly according to the relevant safety standards.**

1.4 Environmental limits

Instructions in the *Unidrive SP User Guide*, *Digidrive SK Getting Started Guide*, *Digidrive SK Technical Data Guide*, *Proxidrive Installation and commissioning manual*, *Varmeca 33/34 Installation and Maintenance and Powerdrive Installation Manual* regarding transport, storage, installation and use of the drive must be complied with, including the specified environmental limits. Drives must not be subjected to excessive physical force.

1.5 Compliance with regulations

The installer is responsible for complying with all relevant regulations, such as national wiring regulations, accident prevention regulations and electromagnetic compatibility (EMC) regulations. Particular attention must be given to the cross-sectional areas of conductors, the selection of fuses or other protection, and protective earth (ground) connections.

The *Unidrive SP User Guide*, *Digidrive SK Getting Started Guide*, *Proxidrive Installation and Commissioning Manual*, *Varmeca 33/34 Installation and Maintenance and Powerdrive Installation Manual* contain instructions for achieving compliance with specific EMC standards.

Within the European Union, all machinery in which this product is used must comply with the following directives:

98/37/EC: Safety of machinery.

89/336/EEC: Electromagnetic Compatibility.

1.6 Motor

Ensure the motor is installed in accordance with the manufacturer's recommendations. Ensure the motor shaft is not exposed.

Standard squirrel cage induction motors are designed for single speed operation. If it is intended to use the capability of the drive to run a motor at speeds above its designed maximum, it is strongly recommended that the manufacturer is consulted first.

Low speeds may cause the motor to overheat because the cooling fan becomes less effective. The motor should be fitted with a protection thermistor. If necessary, an electric forced vent fan should be used.

The values of the motor parameters set in the drive affect the protection of the motor. The default values in the drive should not be relied upon.

It is essential that the correct value is entered in the motor rated current parameter: Pr **0.46** for Unidrive SP and Pr **0.06** in Digidrive SK, Proxidrive, Varmeca 33/34 and Powerdrive. This affects the thermal protection of the motor.

1.7 Adjusting parameters

Some parameters have a profound effect on the operation of the drive. They must not be altered without careful consideration of the impact on the controlled system. Measures must be taken to prevent unwanted changes due to error or tampering.

2 Introduction

2.1 What Is PROFIBUS-DP?

PROFIBUS-DP is a networking system that falls into the generic category of fieldbus. Fieldbuses are generally defined as industrial networking systems that are intended to replace traditional wiring systems. Figure 2-1 shows the traditional cabling requirements to transfer signals between 2 slaves and a master.

Figure 2-1 Traditional cable layout

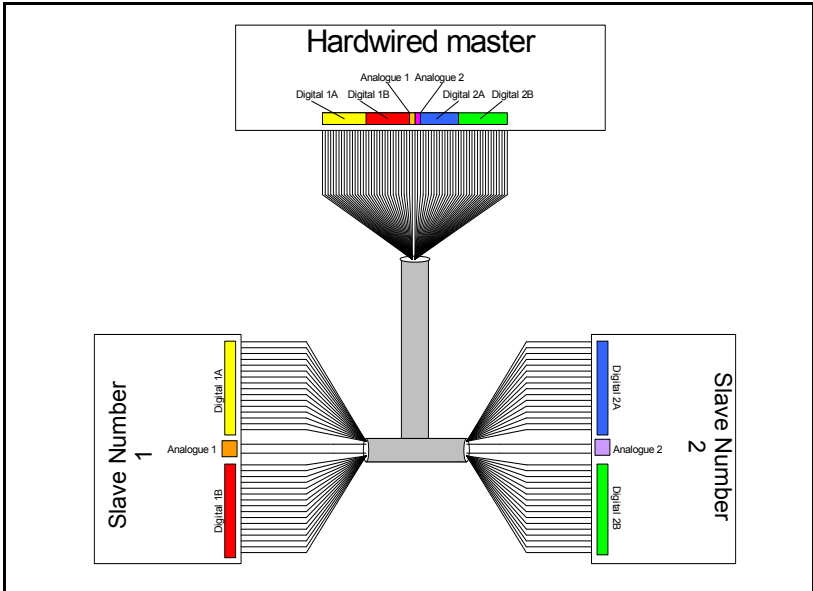


Table 2.1 details how the wiring is used to communicate data between the master and the slaves. Each signal that is communicated requires one signal wire giving a total of 66 signal wires plus a 0V return.

Table 2.1 Traditional wiring details

Number of signals	Type	Source / Destination	Description
16	digital Inputs	slave 1 to master	status signals
16	digital outputs	master to slave 1	control signals
1	analogue output	master to slave 1	control signal
16	digital inputs	slave 2 to master	status signals
16	digital outputs	master to slave 2	control signals
1	analogue output	master to slave 2	control signal

A fieldbus topology such as PROFIBUS-DP allows the same configuration to be realised using only 2 signal wires plus a screen. This method of communication saves significantly on the amount of cabling required and can improve overall system reliability as the number of interconnections is greatly reduced.

Figure 2-2 shows a typical PROFIBUS-DP network system transferring the same signals as given in the traditionally wired example. The signals are now transmitted by converting them into a serial data stream which is received by the master as if they were connected using traditional wiring. The data stream on SM-PROFIBUS-DP allows up to 64* (32 input and 32 output) independent values to be sent or received by the master, in addition to a single channel allowing for random access to drive parameters.

* Reduced on Proxidrive, Varmeca 33/34 and Powerdrive (cf. §2.3.1).

Figure 2-2 PROFIBUS DP cable layout

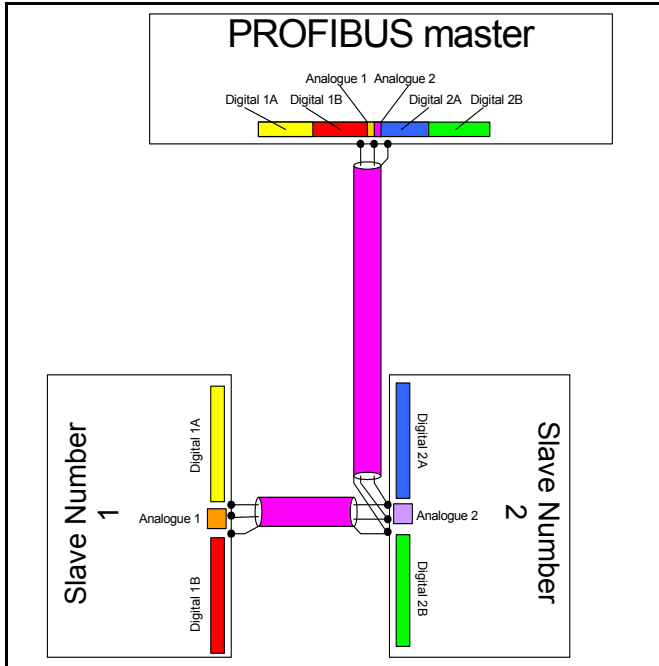


Table 2.2 Data mappings for SM-PROFIBUS-DP

Number of network words	Type	Source / Destination	Description
1	digital Inputs	slave 1 to master	status signals
1	digital outputs	master to slave 1	control signals
1	analogue output	master to slave 1	control signal
1	digital inputs	slave 2 to master	status signals
1	digital outputs	master to slave 2	control signals
1	analogue output	master to slave 2	control signal

Table 2.2 details the number of data words used to communicate the signals using the PROFIBUS-DP network. It can be seen that the resulting reduction in cabling is significant.

PROFIBUS-DP can transfer data using two distinct modes. The first of these modes is cyclic where signals are sent in predefined blocks at regular intervals. This is the equivalent of the hard-wired example above in Figure 2-1.

The second method of transfer is called non-cyclic data and is used for sending values that only need to be changed occasionally or where the source or destination of the signal changes. This is the equivalent of a temporary patch lead that is removed after use.

2.2 What is SM-PROFIBUS-DP?

The SM-PROFIBUS-DP is a fieldbus Solutions Module that can be fitted to the expansion slot(s) in any of the following drives to provide PROFIBUS-DP slave connectivity:

- Powerdrive
- Unidrive SP
- Varmeca 33/34
- Proxidrive
- Digidrive SK

In the case of Unidrive SP it is possible to use more than one SM-PROFIBUS-DP or a combination of SM-PROFIBUS-DP and other Solution modules to add additional functionality such as extended I/O, gateway functionality, or additional PLC features.

Figure 2-3 SM-PROFIBUS-DP



2.3 General specification

2.3.1 Features

The following section gives a brief overview of the functionality available within SM-PROFIBUS-DP.

- Supported data rates (bit/s): 12M, 6.0M, 3.0M, 1.5M, 500k, 187.5k, 93.75k, 45.45k, 19.2k, 9.6k.
- Maximum of 32 input and 32 output cyclic data words supported (reduced on Proxidrive, Varmeca 33/34 and Powerdrive to 20 input and 20 output data words mappings), (10 parameters).
- Parameter Process Objects (PPOs) fully supported (not on Proxidrive, Varmeca 33/34 and Powerdrive).
- PPO4 words, non-cyclic data channel supported.

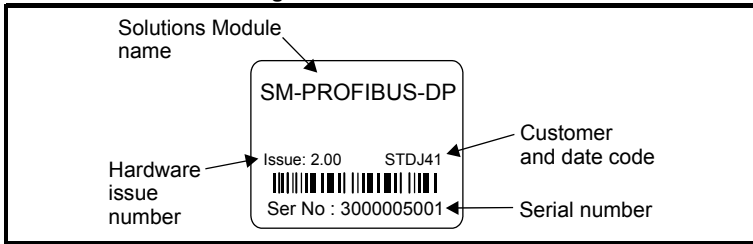
The SM-PROFIBUS-DP is powered from the host drive's internal power supply.

2.4 Solutions Module identification

The SM-PROFIBUS-DP can be identified by:

1. The label located on the underside of the Solutions Module.
2. The colour coding across the front of the SM-PROFIBUS-DP (purple).

Figure 2-4 SM-PROFIBUS labels



2.4.1 Date code format

The date code is split into two sections: a letter followed by a number.

The letter indicates the year, and the number indicates the week number (within the year) in which the Solutions Module was built.

The letters go in alphabetical order, starting with A in 1990 (B in 1991, C in 1992 etc.).

Example:

A date code of L35 would correspond to week 35 of year 2002.

2.4.2 Unidrive SP: Backup / Auxiliary Supply

The Unidrive SP can be connected to a back-up power supply. This keeps the control electronics and Solutions Module powered up, allowing the SM-PROFIBUS-DP to continue communicating with the PROFIBUS-DP master controller when the main supply to the Unidrive SP is switched off. For every SM-PROFIBUS-DP fitted allow for an extra 70mA of supply current to be drawn from the backup supply.

Safety Information
Introduction
Mechanical Installation
Electrical Installation
Getting started
GSD Files
Cyclic data
Non-cyclic data
Control and status words
Diagnostics
Advanced Features
PROFIBUS profile
Quick reference
Glossary Of Terms
Index

3 Mechanical installation

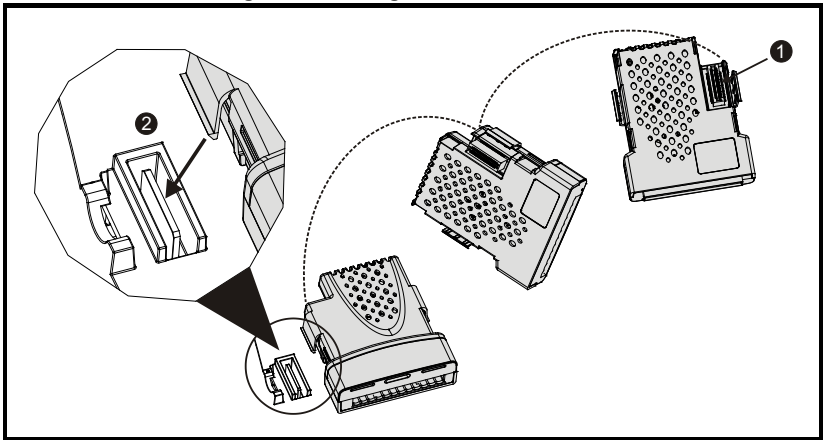


Before installing or removing a Solutions Module in any drive, ensure the AC supply has been disconnected for at least 10 minutes and refer to Chapter 1 *Safety Information* on page 6. If using a DC bus supply ensure this is fully discharged before working on any drive or Solutions Module.

3.1 General Installation

The installation of a Solutions Module is illustrated in Figure 3-1.

Figure 3-1 Fitting a Solutions Module



The Solutions Module connector is located on the underside of the module (1). Push this into the Solutions Module slot located on the drive until it clicks into place (2). Note that some drives require a protective tab to be removed from the Solutions Module slot. For further information, refer to the appropriate drive manual.

4 Electrical installation

4.1 SM-PROFIBUS-DP terminal descriptions

The SM-PROFIBUS-DP has a standard 9-way female D-type connector for the PROFIBUS-DP network.

Figure 4-1 SM-PROFIBUS-DP terminals

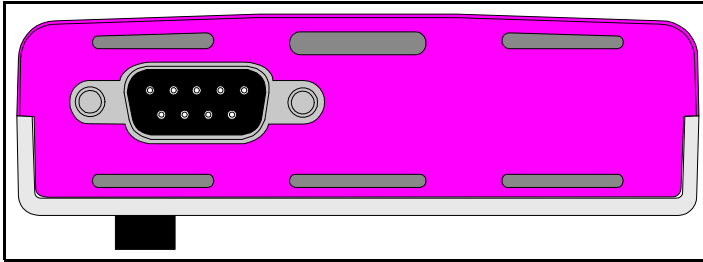


Figure 4-2 SM-PROFIBUS-DP D-Type pin out

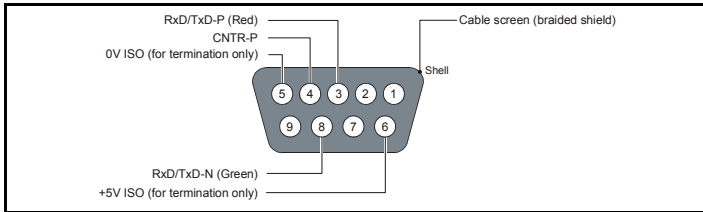


Table 4.1 D-Type connections

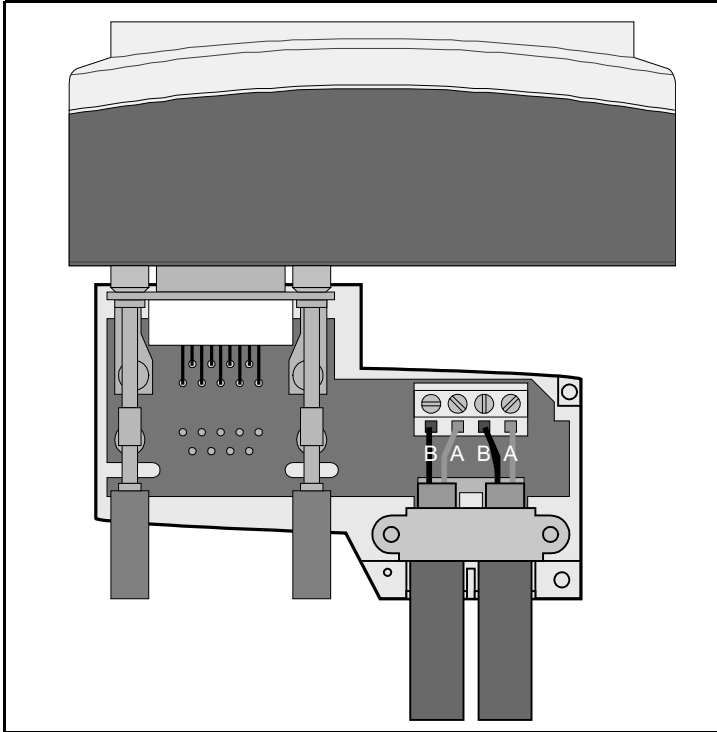
D-type Terminal	Function	Description
3	RxD/TxD-P	Positive data line (B) - Red
8	RxD/TxD-N	Negative data line (A) - Green
6	+5V ISO	+5V isolated, use only for termination resistors
5	0V ISO	0V isolated, use only for termination resistors
4	CNTR-P	RTS line
1, Shell	Shield	Cable shield connection

LEROY-SOMER recommend that approved PROFIBUS-DP connectors are used at all times.

4.2 SM-PROFIBUS-DP connectors

There are many manufacturers of PROFIBUS-DP connectors. Always ensure that any connectors used on the network are fully approved for use with PROFIBUS-DP. Some of the connector types available include built in termination that allows the network to be isolated, this can be very useful when fault finding. For data rates above 1.5Mbps connectors fitted with integrated inductors should be used.

Figure 4-3 PROFIBUS DP Connector



4.3 PROFIBUS-DP cable

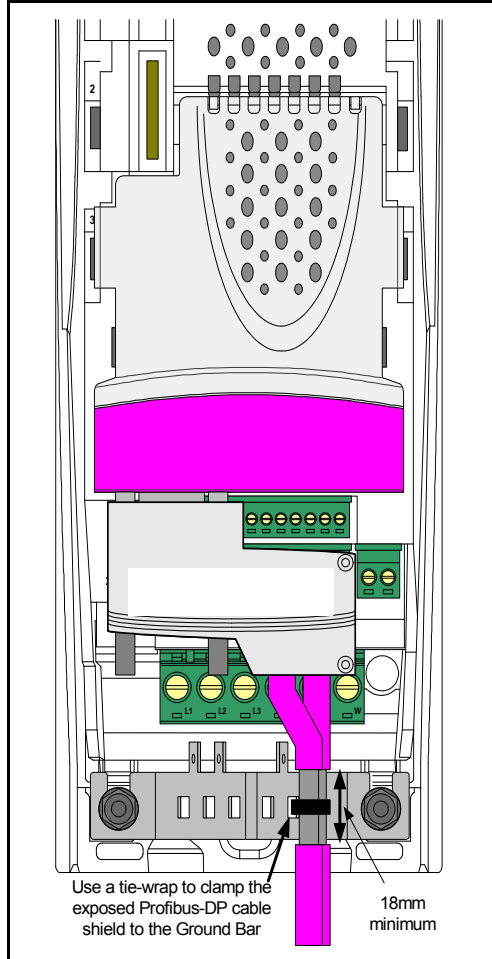
PROFIBUS-DP networks can run at high data rates and require cable specifically designed to carry high frequency signals. Low quality cable will attenuate the signals, and may render the signal unreadable for the other nodes on the network. Cable specifications and a list of approved manufacturers of cable for use on PROFIBUS-DP networks are available on the PROFIBUS Nutzerorganisation (PNO) web site at www.profibus.com.

4.4

Unidrive SP: SM-PROFIBUS-DP cable shield connections

This can be achieved by exposing the cable shield of each PROFIBUS-DP cable and clamping them to the grounding bracket of the drive using a tie-wrap. Provided that the exposed length of cable shield is at minimum of 18mm, (as shown below) the tie-wrap will ensure a good ground connection for the PROFIBUS-DP cable shield.

Figure 4-4 Unidrive SP Cable Shield Connections



NOTE

Unless there are specific reasons for not grounding the network it is recommended that all drive network connections are correctly grounded. Failure to do so may reduce the noise immunity of the system. If there are specific issues with grounding, alternative methods of connection should be considered such as the use of fibre optic cable.

4.5 Digidrive SK: SM-PROFIBUS-DP shield connections

Grounding of the network cable should be performed as close as possible to the termination of the cable. This may be achieved by clamping to the nearest ground point or using an optional bracket, contact your supplier or local drive centre for more information.

NOTE

Unless there are specific reasons for not grounding the network it is recommended that all drive network connections are correctly grounded. Failure to do so may reduce the noise immunity of the system. If there are specific issues with grounding, alternative methods of connection should be considered such as the use of fibre optic cable.

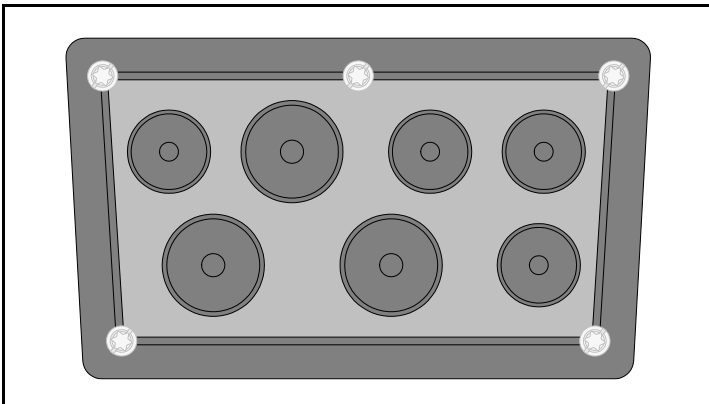
4.6 Proxidrive : SM-PROFIBUS-DP shield connections

Proxidrive provides a gland and grounding panel which should be used as the grounding point for the networking cables. This plate requires the use of special terminating glands to provide a secure grounding point for the network cable. Please see the drive documentation or contact your supplier for more information.

NOTE

Unless there are specific reasons for not grounding the network it is recommended that all drive network connections are correctly grounded. Failure to do so may reduce the noise immunity of the system. If there are specific issues with grounding alternative methods of connection should be considered such as the use of fibre optic cable.

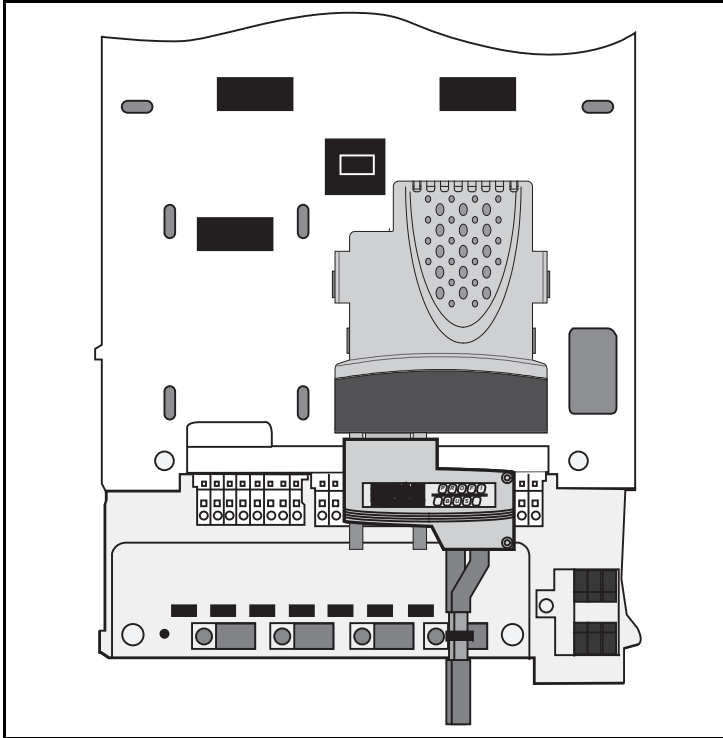
Figure 4-5 Proxidrive shield connections



4.7 Powerdrive : SM-PROFIBUS-DP shield connections

This can be achieved by exposing the cable shield of each PROFIBUS-DP cable and clamping them to the grounding bracket of the drive using a tie-wrap. Provided that the exposed length of cable shield is at minimum of 18mm, the tie-wrap will ensure a good ground connection for the PROFIBUS-DP cable shield.

Figure 4-6 Powerdrive shield connections



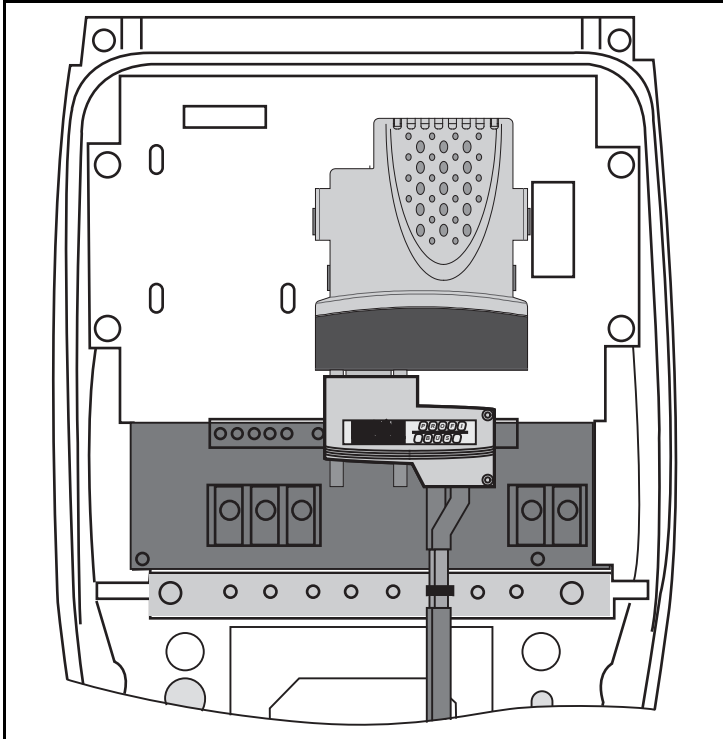
NOTE Unless there are specific reasons for not grounding the network it is recommended that all drive network connections are correctly grounded. Failure to do so may reduce the noise immunity of the system. If there are specific issues with grounding alternative methods of connection should be considered such as the use of fibre optic cable.

Safety Information
Introduction
Mechanical Installation
Electrical Installation
Getting started
GSD Files
Cyclic data
Non-cyclic data
Control and status words
Diagnostics
Advanced Features
PROFIdrive profile
Quick reference
Glossary Of Terms
Index

4.8 Varmeca 33/34 : SM-PROFIBUS-DP shield connections

This can be achieved by exposing the cable shield of each PROFIBUS-DP cable and clamping them to the grounding bracket of the drive using a tie-wrap. Provided that the exposed length of cable shield is at minimum of 18mm, the tie-wrap will ensure a good ground connection for the PROFIBUS-DP cable shield.

Figure 4-7 Varmeca 33/34 shield connections



NOTE

Unless there are specific reasons for not grounding the network it is recommended that all drive network connections are correctly grounded. Failure to do so may reduce the noise immunity of the system. If there are specific issues with grounding alternative methods of connection should be considered such as the use of fibre optic cable.

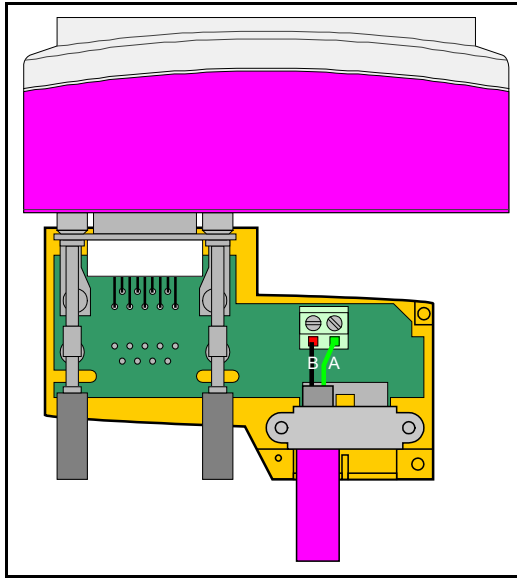
4.9 General grounding considerations

It is essential that good grounding is provided not only for network stability but more importantly electrical safety. In all instances electrical regulations should be adhered to. As a guide the network cable should be grounded at least once per cabinet, ideally on each drive.

4.10 PROFIBUS-DP network termination

It is very important in high-speed communications networks that the network communications cable is fitted with the specified termination resistor network at each end of each segment. This prevents signals from being reflected back down the cable and causing interference.

Figure 4-8 Network Termination



Most ranges of connectors provide specific parts that incorporate the termination network. Such connectors derive the power from the host device and if the host device is switched off the termination will be lost. To avoid this situation a separate termination device is available that is powered independently of the network devices. For more information go to www.profibus.com/productguide.html and enter "bus termination".

NOTE Failure to terminate a network correctly can seriously affect the operation of the network. If the correct termination networks are not fitted, the noise immunity of the network is greatly reduced. Each network segment must be correctly terminated.

Safety Information
Introduction
Mechanical Installation
Electrical Installation
Getting started
GSD Files
Cyclic data
Non-cyclic data
Control and status words
Diagnostics
Advanced Features
PROFidive profile
Quick reference
Glossary Of Terms
Index

4.11 Maximum network length / device loading

The maximum number of devices that can be connected to a single PROFIBUS-DP network segment is 32, this includes all nodes and any repeaters. The maximum lengths of cable for a segment depend on the data rate and are shown in Table 4.2.

Repeaters or fibre optic segments can be used to extend the network, allowing more than 32 nodes to be connected and/or to extend the maximum length of the PROFIBUS-DP network. The maximum number of nodes on a single network is 125.

NOTE

For full details on designing and installing a PROFIBUS-DP network, refer to *Installation Guidelines for PROFIBUS-DP/FMS*. This document is available from the PROFIBUS web site at www.profibus.com.

Table 4.2 PROFIBUS-DP maximum network lengths

Data rate (bit/s)	Maximum trunk length (m)		Data rate (bit/s)	Maximum trunk length (m)
12M	100		187.5k	1000
6.0M	100		93.75k	1000
3.0M	100		45.45k	1000
1.5M	200		19.2k	1000
500k	400		9.6K	1000

4.12 Node addressing

SM-PROFIBUS-DP has a valid address range of 1 to 125. Addresses 126 and 0 are reserved for system use and should not be used. The addressing scheme used is at the discretion of the end user however it is recommended that nodes are numbered in order as they appear on the physical network. It is not necessary to use consecutive numbers and gaps in the addressing scheme may be left to allow for future expansion.

4.13 Spurs

The PROFIBUS-DP specification allows spurs at data rates less than 1.5Mbits/s. At data rates below 1.5Mbits/s there are specific requirements for capacitance and length of cable allowed when using spurs. LEROY-SOMER recommend that spurs are not used as extreme care is required at the design stage to avoid network problems. More information on spurs can be found on the PROFIBUS web site at www.profibus.com.

4.14 Minimum node to node cable length

The minimum recommended node to node distance is 1 metre of network cable. This distance is necessary to avoid multiple nodes generating a single large reflection on the network, using less than 1 metre of cable between nodes can have serious implications for network reliability.

5 Getting started

This section is intended to provide a generic guide for setting up SM-PROFIBUS-DP and a master controller. Figure 5-1 on page 22 is intended as a guide only and is provided to detail the stages that are required to achieve a functioning network. It is recommended that all of this chapter is read, before attempting to configure a system.

NOTE In order to use SM-PROFIBUS-DP with Digidrive SK, Proxidrive, Varmeca 33/34 and Powerdrive requires SM-PROFIBUS-DP firmware version 3.00.00 or later.

NOTE Due to the large number of PLCs/masters that support PROFIBUS-DP details will not be provided for a specific master or PLC. Generic support is available through your supplier or local drive centre.

NOTE Before contacting your supplier or local drive centre for support ensure you have read Chapter 10 *Diagnostics* on page 55 of this manual and check you have configured all parameters correctly.

Ensure the following information is available before calling:

- A list of all parameters in SM-PROFIBUS-DP.
- The drive firmware version (*see the drive User Guide*).
- The system file version of SM-Applications if applicable (*see the SM-Applications User Guide*).

5.1 Conventions used in this guide

The configuration of the host drive and Solutions Module is done using menus and parameters. A menu is a logical collection of parameters that have similar functionality. In the case of a Solutions Module, the parameters will appear in menu 15 for the Proxidrive, Digidrive SK, Varmeca 33/34 and Powerdrive and in menu 15, 16, or 17 for the Unidrive SP depending on the slot the module is fitted in to.

The menu is determined by the number before the decimal point and the parameter by the number following the decimal point.

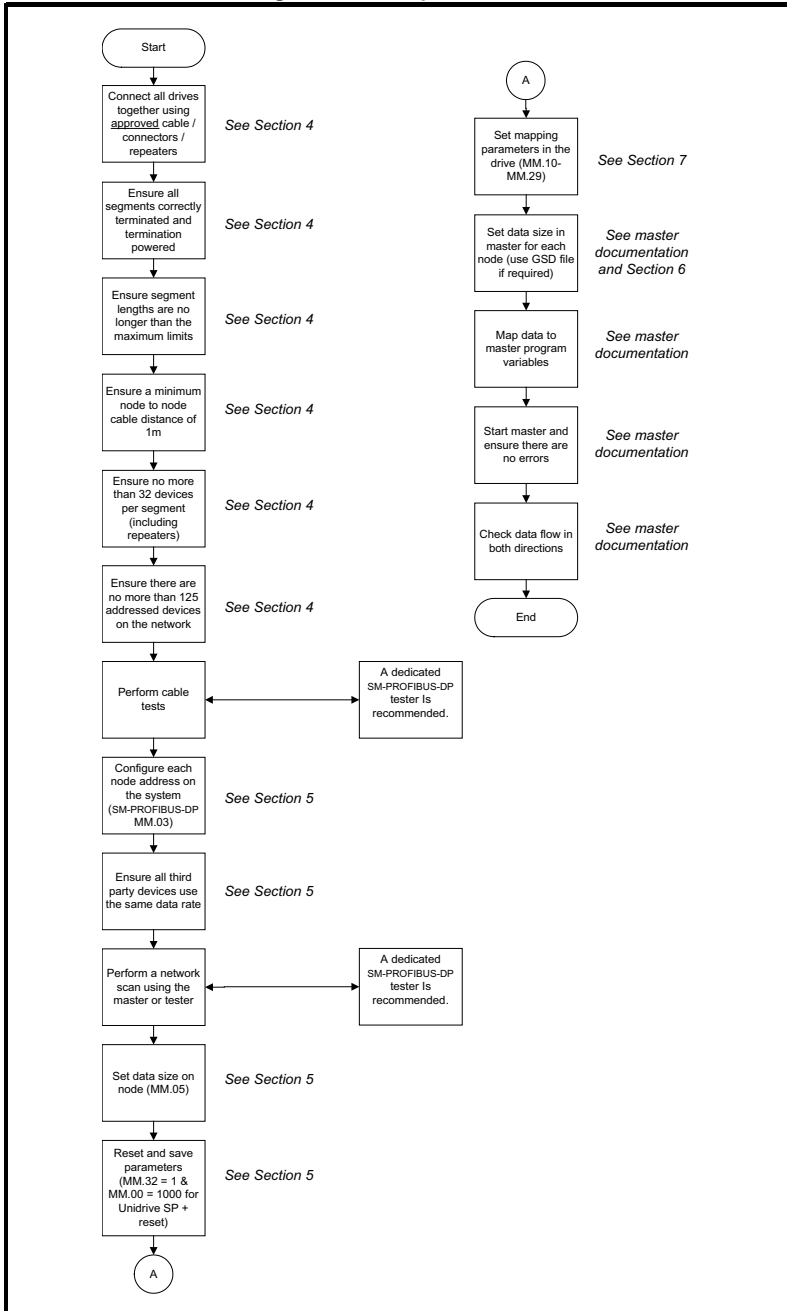
The method used to determine the menu or parameter is as follows:

- Pr **mm.xx** signifies the menu corresponding to the Solution Module and any parameter.
- Pr **mm.01** signifies the menu corresponding to the Solution Module and a specific parameter (where 01 may be any valid parameter number).
- Pr **xx.00** signifies any menu and parameter number 00.

Safety Information
Introduction
Mechanical Installation
Electrical Installation
Getting started
GSD Files
Cyclic data
Non-cyclic data
Control and status words
Diagnostics
Advanced Features
PROFIBUS profile
Quick reference
Glossary Of Terms
Index

5.2 Set-up flow chart

Figure 5-1 Set-up flow chart



5.3 SM-PROFIBUS-DP node address

SM-PROFIBUS-DP node address		
Pr MM.03	Default	126
	Range	0 to 126
	Access	RW

Every node on a PROFIBUS-DP network must be given a unique network node address. The SM-PROFIBUS-DP must be reset to make a change of node address take effect. This parameter is also available in menu 0 on the Digidrive SK (Pr 52). Addresses 0 and 126 are reserved for system use.

5.4 SM-PROFIBUS-DP data rate

PROFIBUS-DP data rate		
Pr MM.04	Default	N/A
	Range	-1 to 9
	Access	RO

The SM-PROFIBUS-DP will automatically detect the PROFIBUS-DP network data rate and synchronise to it. Pr MM.04 will indicate the data rate that has been detected by the SM-PROFIBUS-DP. This parameter is also available in menu 0 on the Digidrive SK (Pr 53).

A -1 indicates that the SM-PROFIBUS-DP has not detected any activity on the PROFIBUS-DP network, and is waiting for the master controller to start communicating.

NOTE The PROFIBUS-DP data rate parameter can be changed, but this will not affect the data rate at which the SM-PROFIBUS-DP communicates. The data rate display will be updated when SM-PROFIBUS-DP is re-initialised.

Table 5.1 SM-PROFIBUS-DP data rates

Pr MM.04	bit/s	Pr MM.04	bit/s
-1	Auto-detecting	5	187.5k
0	12M	6	93.75k
1	6.0M	7	45.45k
2	3.0M	8	19.2k
3	1.5M	9	9.6k
4	500k		

5.5 SM-PROFIBUS-DP data format

SM-PROFIBUS-DP data format		
Pr MM.05	Default	4
	Ranges	0-32,100-131& 200 to 228
	Access	RW

The default data format is 4 cyclic words, each cyclic data channel is mapped to a drive parameter. The default mappings are shown in Table 5.2. Proxidrive, Varmeca 33/34 and Powerdrive provide support for only 20 mappings, reducing the total words to a maximum of 20 in both directions.

NOTE The maximum number of 16bit data words that is possible is 32 with only cyclic data, 31 with mode 1 non-cyclic data and 28 with PPO4 word mode.

Table 5.2 Default data mapping

Cyclic word	Data word	Default mapping status
IN channel 0	word 0, 1	Pr 10.40 , status word
IN channel 1	word 2, 3	Pr 2.01 , post-ramp speed reference
OUT channel 0	word 0, 1	Pr 6.42 , control word
OUT channel 1	word 2, 3	Pr 1.21 , digital speed reference 1

Other data formats are also supported. For further details see section 8.2 *Data formats* on page 46. The directions specified in Table 5.2 relate to the data direction as seen by the master.

5.6 SM-PROFIBUS-DP operating status

PROFIBUS-DP operating status		
Pr MM.06	Default	N/A
	Range	-3 to 9999
	Access	RO

The PROFIBUS-DP network activity can be monitored in the SM-PROFIBUS-DP operating status parameter, Pr **MM.06**. When the SM-PROFIBUS-DP is communicating successfully with the PROFIBUS-DP master controller, Pr **MM.06** will give an indication of the number of cyclic data messages that are being processed per second. This parameter is also available in menu 0 on the Digidrive SK (Pr **53**).

Table 5.3 PROFIBUS-DP operating status codes

Pr MM.06	Parameter	Description
>0	Network healthy	Indicates the number of processed cyclic messages per second.
0	Network healthy, no data transfer	Indicates that the PROFIBUS-DP master has established communications with the SM-PROFIBUS-DP. If operating status changes briefly to -1 and returns to 0, the slave configuration does not match the configuration in the master controller.
-1	Initialised	Indicates that the SM-PROFIBUS-DP has initialised correctly, and is waiting for the PROFIBUS-DP master to initialise communications.
-2	Internal hardware failure	Indicates that part of the SM-PROFIBUS-DP initialisation sequence was not successful. If this fault persists after a power cycle, replace the SM-PROFIBUS-DP.
-3	Configuration error	Indicates that there is an invalid setting in the SM-PROFIBUS-DP configuration parameters. Parameters Pr MM.49 and Pr MM.50 will contain additional information.

If a mapping configuration error (see section 10.8 *SM-PROFIBUS-DP mapping status*) or network error (see section 10.10 *SM-PROFIBUS-DP error codes*) is detected, the drive may trip.

5.7 Re-initialising the SM-PROFIBUS-DP

SM-PROFIBUS-DP re-initialise		
Pr MM.32	Default	0 (OFF)
	Range	0 (OFF) to 1 (ON)
	Access	RW

Changes to the SM-PROFIBUS-DP configuration in menu 15, 16 or 17 parameters will not take effect until the SM-PROFIBUS-DP has been re-initialised.

To re-initialise SM-PROFIBUS-DP:

1. Set Pr **MM.32** to ON.
2. When the sequence has been completed, Pr **MM.32** will be reset to OFF.
3. The SM-PROFIBUS-DP will re-initialise using the updated configuration.

NOTE

This sequence does NOT store the SM-PROFIBUS-DP configuration parameters in the drive or the SM-PROFIBUS-DP FLASH memory. This will change back to 0 immediately and as such the change may not be visible on the display.

5.8 Unidrive SP: Re-initialise all Solutions Modules

To re-initialise all Solutions Modules fitted on a Unidrive SP:

1. Set Pr **MM.00** to 1070.
2. Press the red RESET button on the Unidrive SP.

NOTE

This sequence does NOT store the SM-PROFIBUS-DP configuration parameters in the drive or the SM-PROFIBUS-DP FLASH memory.

5.9 Saving parameters to the drive

On the **Unidrive SP** and **Digidrive SK** to avoid loss of the configured settings when the drive is powered down it is necessary to write 1000 to Pr **MM.00** followed by pressing the reset button to perform a drive save.

To store drive parameters:

- Set Pr **MM.00** to 1000.
- Press the red RESET button.

The drive will store all parameters (except Menu 20) but the operation of the SM-PROFIBUS-DP will not be affected. Changes made to the SM-PROFIBUS-DP configuration parameters will not take effect until the SM-PROFIBUS-DP is reset.

To save parameters from SM-PROFIBUS-DP to the memory on **Proxdrive**, **Varmeca 33/34** and **Powerdrive** follow the instructions provided with the drive.

NOTE

Unidrive SP only: Menu 20 may be saved if an SM-Application module is fitted, menu 20 is stored in the SM-Applications module's memory. See the SM-Application documentation for more information. If the drive is running on backup supply only, Pr **mm.00** must be set to 1001 to perform a save.

Safety Information
Introduction
Mechanical Installation
Electrical Installation
Getting started
GSD Files
Cyclic data
Non-cyclic data
Control and status words
Diagnostics
Advanced Features
PROdrive profile
Quick reference
Glossary Of Terms
Index

6 GSD Files

6.1 What are GSD Files?

GSD files are text files that are used by the PROFIBUS-DP network configuration software tools. They contain information about the device timings, features supported and available data formats for the PROFIBUS-DP device. Drive icon files are also supplied for use with the PROFIBUS-DP configuration software. GSD files are available from your supplier, LEROY-SOMER or the LEROY-SOMER website (www.leroy-somer.com).

6.2 Data consistency

There is a potential problem with “data skew” when transferring blocks of data to and from a PROFIBUS-DP master controller. Data skew happens when a value is spread across multiple words; when this occurs it is possible that only half of the correct value reaches the destination. Consider the following example:

- The PLC has a value of 0xFFFFFFFF to send to the drive.
- The drive currently has a value of 0x00000000 in a 32 bit parameter.
- The master sends the word without consistency.
- The drive receives one 16 bit word and now has the value 0x0000FFFF.
- The drive receives the next 16 bit word and now has the value 0xFFFFFFFF.

To prevent data skew PROFIBUS-DP has a feature known as “data consistency”. Consistent data defines a block of data words that must ALL be updated before ANY of the “new” data values are transmitted. Consequently, the message sent over the PROFIBUS-DP network will have a true representation of the required data. Some PLCs have special functions available to transfer blocks of “consistent data” to a PROFIBUS-DP master controller and guarantee that “data skew” cannot occur.

6.2.1 Limitations of non-cyclic data Mode 1 - CT Single Word with GSD

CT Single Word non-cyclic data uses only 1 word of data, however when used without data compression (see section 11.5 *Cyclic data compression*) this requires 2 x 16 bit words (a single 32 bit word). The GSD file (version 1.3 onwards) supports CT Single Word (mode 1) with and without compression. When used without compression only the lower 16 bits of the 32bit word are used.

6.2.2 Using non-cyclic data Mode 2 - PPO 4 Word

Data consistency is important when using PPO4 word (mode 2) non-cyclic data as each non-cyclic message consists of 4 words. If there is data skew between any of the non-cyclic words this could result in the wrong data value being written to the wrong parameter.

The GSD file provides the “PPO 4 Word” which consists of 4 IN/OUT words with consistency.

6.3 Data configuration

The GSD file describes the modules of input or output words that may be combined to configure the input and output configuration for a specific node. The complete input and output configuration for the node is built by adding the required modules until all of the node's inputs and outputs are defined.

NOTE A module consists of a block of input or output data. Put simply this is a logical collection of data words.

If non-cyclic data is required the non-cyclic “CT Single Word” and/or the “PPO 4 Word” modules must be selected. A total of 8 different modules can be selected to configure the input and output configuration of the node.

The number of input or output words configured in the drive must match the number of input or output words defined in the master; if the master has 8 in and 4 out words the drive must use the same settings to communicate correctly.

SM-PROFIBUS-DP uses Pr **MM.05** to set the number of input and output words (16 bit) where there are the same number of input and output words, alternatively Pr **MM.39** and Pr **MM.40** may be used to independently set the number of input and output words. See section 11.8 *Custom SM-PROFIBUS-DP data formats* for more details.

NOTE The definition of a data word is 16 bits. By default the SM-PROFIBUS-DP casts all data as long words/ double words (32 bits), data compression can be used to reduce this size, see section 11.5 *Cyclic data compression* for more information.

Safety Information
Introduction
Mechanical Installation
Electrical Installation
Getting started
GSD Files
Cyclic data
Non-cyclic data
Control and status words
Diagnostics
Advanced Features
PROFIBUS profile
Quick reference
Glossary Of Terms
Index

7 Non-cyclic data

7.1 What is non-cyclic data?

Non-cyclic data allows access to any parameter without the need to use cyclic data transfers. This is particularly useful when accessing many different parameters for set-up or archiving of drive settings. There are two methods of using non-cyclic data on the SM-PROFIBUS-DP; 'Mode 1 - CT Single Word' and 'Mode 2 - PPO 4 Word' mode.

Mode 1 - CT Single Word mode uses an additional data word to implement the CT Single Word protocol, allowing access any drive parameter. See section 7.3 *Mode 1 - CT Single Word mode* for more information.

Mode 2 - PPO 4 Word mode uses 4 data words to access any drive parameter. See section 7.5.1 *Mapping for PPO 4 Word non-cyclic data* for more information.

7.2 Setting the non-cyclic mode

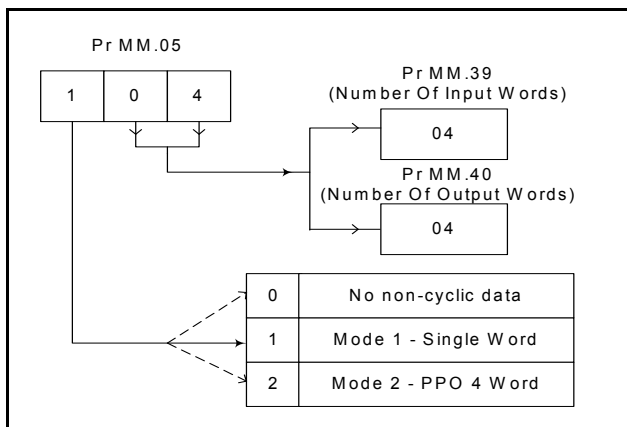
Table 7.1 shows how to configure the data mode (Pr **MM.05**) for the required non-cyclic mode. The value in this parameter is formed using 3 digits, the most significant of these determines the non-cyclic mode. The two least significant digits (CC) determine the number of cyclic words for both IN and OUT data.

Table 7.1 SM-PROFIBUS-DP non-cyclic data modes

Non-cyclic mode	Value For Mode	Format	Pr MM.05
Disabled	0	None	0CC
Mode 1	1	CT Single Word	1CC
Mode 2	2	PPO 4 Word	2CC

Figure 7-1 shows the relationship between the value entered in Pr **MM.05** and the cyclic and non-cyclic data set-up.

Figure 7-1 Non-cyclic data words



7.3 Mode 1 - CT Single Word mode

The CT Single Word (Mode 1) uses one cyclic channel for non-cyclic data. This non-cyclic sub-protocol requires a specific sequence of 4 or 6 telegrams to implement the parameter access. Each non-cyclic word or telegram is split into 2 bytes to implement the sub-protocol. The high byte containing the control codes for each telegram and the low byte containing the data for each telegram.

NOTE By default cyclic data compression is disabled, the CT Single Word non-cyclic channel will be 32-bits wide (i.e. uses 2 words, and data must be transferred on the low word). If cyclic data compression is enabled the CT Single Word non-cyclic channel will revert to 16-bits and only use 1 word.

7.3.1 Mapping For CT Single Word non-cyclic data

To configure an SM-PROFIBUS-DP for CT Single Word mode the following steps must be performed:

1. Set Pr **MM.05** to the required mode. See section 7.2 *Setting the non-cyclic mode* for more information.
2. Set Pr **MM.32** to ON to reset SM-PROFIBUS-DP.
3. Save the parameters if required (see section 5.9 *Saving parameters to the drive* for more information).

When the SM-PROFIBUS-DP re-initialises, it will map cyclic data IN Word 0 and OUT Word 0 to the CT Single Word protocol parameter (Pr **61.50**). All existing mapping parameters will be moved down by 1 word, (i.e. the previous mapping set in Pr **MM.10** and Pr **MM.20** will now appear in Pr **MM.11** and Pr **MM.21**). The table below shows what happens to the mappings when the data format is changed from 4 cyclic words to 4 cyclic words with CT Single Word non-cyclic data.

Table 7.2 CT Single Word non-cyclic data mapping

Mapping parameter	Before format change (Pr MM.05 = 4)		After format change (Pr MM.05 = 104)	
	Value	Mapping	Value	Mapping
Pr MM.10	1040	Pr 10.40 , status word	6150	Pr 61.50 , CT Single Word
Pr MM.11	201	Pr 2.01 , post ramp speed ref	1040	Pr 10.40 , status word
Pr MM.12	0	Not mapped	201	Pr 2.01 , post ramp speed ref
Pr MM.13 to Pr MM.19	0	Not mapped	0	Not mapped
Pr MM.20	642	Pr 6.42 , control word	6150	Pr 61.50 , CT Single Word
Pr MM.21	121	Pr 1.21 , digital speed ref 1	642	Pr 6.42 , control word
Pr MM.22	0	Not mapped	121	Pr 1.21 , digital speed ref 1
Pr MM.23 to Pr MM.29	0	Not mapped	0	Not mapped

NOTE If all IN or OUT mapping parameters are being used when the data format change is implemented the last mapping parameter value will be lost.

7.3.2 CT Single Word protocol

All parameter values for the drive must be written as signed 32-bit data values with data compression off. If data compression is turned on the size of the mapping will depend on the size of the source or destination parameter.

NOTE Decimal point information is inserted automatically when the data value is written to the drive and removed when the data value is read. The number of decimal places of the target parameter must be known. Writing a value of 1234 to a parameter with 2 decimal places will produce a value of 12.34 in the target parameter. Similarly, reading a value of 12.34 will return a 32-bit integer value of 1234.

Table 7.3 CT Single Word Bit Positions

b15	b14	b13	b12	b11	b10	b9	b8
READ	ERR	Reserved	32-BIT	Stamp Number			
b7	b6	b5	b4	b3	b2	b1	b0
Data Byte							

Table 7.4 CT Single Word Bit Definitions

Bit	Function	Values	Description
0 to 7	Data	0 to 255	Depending on the stamp number of the telegram, this byte contains the menu, parameter or data byte.
8 to 11	Stamp number	0 to 6	Indicates the stamp number of the word. This shows which part of the message is currently in progress. Setting the stamp number to 0 resets the internal non-cyclic state machine.
12	32-BIT	0 = 16-bit data 1 = 32-bit data	Specifies whether a 16-bit or 32-bit data value is to be written to or read from the drive. If 32-BIT is set, telegrams 5 and 6 will be used to transfer the additional data bytes.
13	Reserved	0	Reserved for future use. Always set to 0.
14	ERR	0 = Data OK 1 = Error	Indicates the success or failure of the message. Failure could occur if the parameter does not exist, or is a read-only or write-only parameter. This bit will also be set if the parameter value is out of range in 16-bit mode.
15	READ	0 = Write 1 = Read	Defines whether the data word is part of a READ or WRITE cycle.

NOTE Setting the stamp number to 0 resets the internal non-cyclic state machine. Allowing a new message to be started.

NOTE CT Single Word non-cyclic data uses only 1 word of data, when using this without data compression this requires 2 x 16 bit words. If mode 1 is used with compression turned off only the least significant word of the 32 bit word is used.

7.4 Reading parameters using CT Single Word

To read 32-bit parameters using the non-cyclic channel, the following “telegrams” must be transmitted to construct the final message:

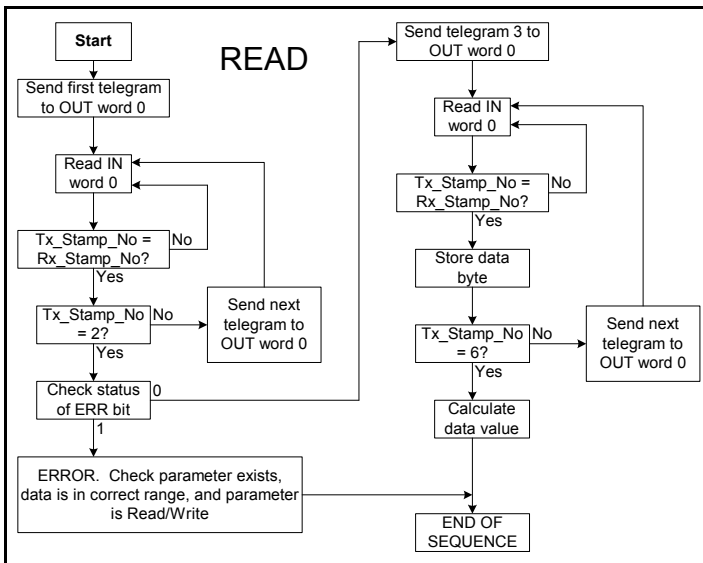
- Telegram 1 - define menu number
- Telegram 2 - define parameter number
- Telegram 3 - request high data byte
- Telegram 4 - request mid-high data byte
- Telegram 5 - request mid-low data byte
- Telegram 6 - request low data byte

Table 7.5 CT Single Word Bit Positions

b15	b14	b13	b12	b11	b10	b9	b8
READ	ERR	Reserved	32-BIT	Stamp Number			
b7	b6	b5	b4	b3	b2	b1	b0
Data Byte							

7.4.1 Constructing CT Mode 1 Single Word Read Messages

Figure 7-2 CT Single Word read sequence (mode 1)



The following example telegrams show how to read the post-ramp speed reference (in rpm with 1 decimal places) from Pr 2.01 on the Unidrive SP.

TELEGRAM 1

The first telegram from the PROFIBUS-DP master indicates a READ with stamp number 1. The data byte contains the menu number of the parameter that is to be read.

Example telegram

Bit	b15-b12	b11-b8	b7-b4	b3-b0
Value	1001	0001	0000	0010

Data word = 0x9102

Stamp number = 1

Menu = 2

When the first telegram has been received and processed in the slave node, it is mirrored in the non-cyclic IN word back to the PLC. This is the signal to the master controller program that the first telegram of the message has been received and understood the second telegram can now be transmitted.

Example Response

Bit	b15-b12	b11-b8	b7-b4	b3-b0
Value	1001	0001	0000	0010

Data word = 0x9102

Stamp number = 1

NOTE

If a telegram produces an error at any point in the sequence the reply to the master will have the error bit ERR set to a 1.

TELEGRAM 2

The second telegram from the PROFIBUS-DP master also indicates a READ cycle, but the stamp number is now 2. The data byte would contain the parameter number for the parameter that is to be read.

Example telegram

Bit	b15-b12	b11-b8	b7-b4	b3-b0
Value	1001	0010	0000	0001

Data word = 0x9201

Stamp number = 2

Parameter = 1

When the second telegram has been received and processed in the slave, it is mirrored in the non-cyclic IN word. This is the signal to the master controller program that the second telegram of the message has been received and the third telegram can now be transmitted.

NOTE

If telegrams 1 and 2 were not received correctly or an invalid parameter was specified, (e.g. parameter is write only, or does not exist), the PROFIBUS-DP interface will set the ERROR bit to 1 (b14 = 1) in the response. The data bits will have no significance. Setting the stamp number to 0 resets the internal non-cyclic state machine.

Example response

Bit	b15-b12	b11-b8	b7-b4	b3-b0
Value	1001	0010	0000	0001

Data word = 0x9201

Stamp number = 2

NOTE

If an error is reported, the non-cyclic data word should be set to 0 to ensure that the non-cyclic state machine is completely reset and ready for the next non-cyclic READ or WRITE sequence.

TELEGRAM 3

The third telegram from the PROFIBUS-DP master acts as the indication to the slave to send the high data byte from the requested parameter. The data byte is not used in this telegram, and should be set to 0.

Example telegram

Bit	b15-b12	b11-b8	b7-b4	b3-b0
Value	1001	0011	0000	0000

Data word = 0x9300

Stamp number = 3

When the third telegram has been received and processed in the slave node, the node will mirror the stamp number in the non-cyclic IN word and load the high byte of the parameter value into the data byte.

Example response

Bit	b15-b12	b11-b8	b7-b4	b3-b0
Value	1001	0011	0000	0000

Data word = 0x9300

Stamp number = 3

Data high byte = 0x00 = 0

TELEGRAM 4

The fourth telegram from the PROFIBUS-DP master acts as the indication to the slave to send the mid-high data byte from the requested parameter. The data byte is not used in this telegram, and should be set to 0.

Example telegram

Bit	b15-b12	b11-b8	b7-b4	b3-b0
Value	1001	0100	0000	0000

Data word = 0x9400

Stamp number = 4

When the fourth telegram has been received and processed in the slave node, the node will mirror the stamp number in the non-cyclic IN word and load the mid high byte of the parameter value into the data byte.

Example response

Bit	b15-b12	b11-b8	b7-b4	b3-b0
Value	1001	0100	0000	0001

Data word = 0x9401

Stamp number = 4

Data mid high byte = 0x01 = 1

TELEGRAM 5

The fifth telegram from the PROFIBUS-DP master acts as the indication to the slave to send the mid-low data byte from the requested parameter. The data byte is not used in this telegram and should be set to 0.

Example telegram

Bit	b15-b12	b11-b8	b7-b4	b3-b0
Value	1001	0101	0000	0000

Data word = 0x9500

Stamp number = 5

When the fifth telegram has been received and processed in the slave node, the node will mirror the stamp number in the non-cyclic IN word and load the mid-low byte of the parameter value into the data byte.

Example response

Bit	b15-b12	b11-b8	b7-b4	b3-b0
Value	1001	0101	0010	0101

Data word = 0x9525

Stamp number = 5

Data mid low byte = 0x25 = 37

TELEGRAM 6

The sixth telegram from the PROFIBUS-DP master acts as the indication to the slave to send the low data byte from the requested parameter. The data byte is not used in this telegram and should be set to 0.

Example telegram

Bit	b15-b12	b11-b8	b7-b4	b3-b0
Value	1001	0110	0000	0000

Data word = 0x9600

Stamp number = 6

When the sixth telegram has been received and processed in the slave node, the node will mirror the stamp number in the non-cyclic IN word and load the low byte of the parameter value into the data byte.

Example response

Bit	b15-b12	b11-b8	b7-b4	b3-b0
Value	1001	0110	1101	1100

Data word = 0x96DC

Stamp number = 6

Data low byte = 0xDC = 220

7.4.2 The parameter re-assembled

The completed value can be assembled as follows to give the complete value as read from the parameter.

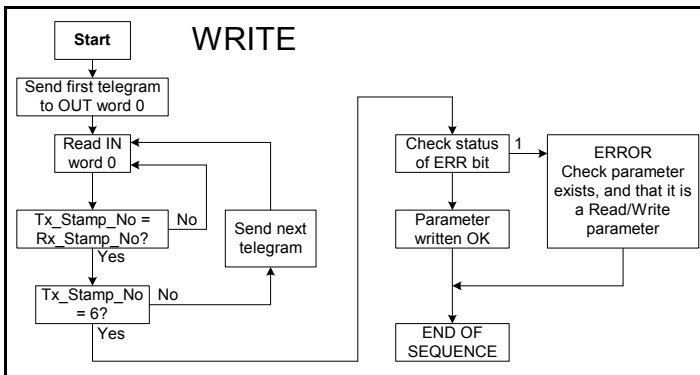
$$\begin{aligned}
 \text{Speed} &= (\text{High byte} * 2^{24}) + (\text{Mid-high byte} * 2^{16}) + \\
 &\quad (\text{Mid-low byte} * 2^8) + \text{Low byte} \\
 &= (0 * 16777216) + (1 * 65536) + (37 * 256) + 220 \\
 &= 75228 \\
 &= 7522.8 \text{ rpm}
 \end{aligned}$$

7.4.3 Writing parameters using CT Single Word

To write to a 32-bit parameter using the non-cyclic channel, the following telegrams must be sent on each network cycle to construct the final message.

- Telegram 1 - define menu number
- Telegram 2 - define parameter number
- Telegram 3 - send high data byte
- Telegram 4 - send mid-high data byte
- Telegram 5 - send mid-low data byte
- Telegram 6 - send low data byte

Figure 7-3 CT Single Word write sequence



The following example telegrams show how to set the digital speed reference 1 (Pr 1.21) to 12553.9 rpm (32-bit value is 125539) in the Unidrive SP.

TELEGRAM 1

The first telegram from the PROFIBUS-DP master indicates a WRITE cycle by setting the R/W bit to 0. The stamp number is set to 1. The data byte contains the menu number for the parameter that is to be written to.

Example telegram

Bit	b15-b12	b11-b8	b7-b4	b3-b0
Value	0001	0001	0000	0001

Data word = 0x1101

Stamp number = 1

Menu = 1

When the first telegram has been received and processed in the slave node, it is mirrored in the non-cyclic IN word. This is the signal to the master controller program that the first telegram of the message has been received and understood and the second telegram can be transmitted.

TELEGRAM 2

The second telegram from the PROFIBUS-DP master also indicates a write cycle, but the stamp number is now set to 2. The data byte would contain the parameter number for the parameter that is to be written to.

Bit	b15-b12	b11-b8	b7-b4	b3-b0
Value	0001	0010	0001	0101

Data word = 0x1215

Stamp number = 2

Parameter = 21

When the second telegram has been received and processed in the slave node, it is mirrored in the non-cyclic IN word. This is the signal to the master controller program that the second telegram of the message has been received and understood and the third telegram can be transmitted.

TELEGRAM 3

The third telegram from the PROFIBUS-DP master has the stamp number set to 3. The data bits contain the high data byte for the parameter being written to.

Example telegram

Bit	b15-b12	b11-b8	b7-b4	b3-b0
Value	0001	0011	0000	0000

Data word = 0x1300

Stamp number = 3

Data high byte = 0x00

When the third telegram has been received and processed in the slave node, it is mirrored in the non-cyclic IN word. This is the signal to the master controller program that the third telegram of the message has been received and understood and the fourth telegram can be transmitted.

TELEGRAM 4

The fourth telegram from the PROFIBUS-DP master has the stamp number set to 4. The data bits contain the mid-high data byte for the parameter being written to.

Example telegram

Bit	b15-b12	b11-b8	b7-b4	b3-b0
Value	0001	0100	0000	0001

Data word = 0x1401

Stamp number = 4

Data mid-high byte = 0x01 = 1

When the fourth telegram has been received and processed in the slave node, it is mirrored in the non-cyclic IN word. This is the signal to the master controller program that the fourth telegram of the message has been received and understood and the fifth telegram can be transmitted.

TELEGRAM 5

The fifth telegram from the PROFIBUS-DP master has the stamp number set to 5. The data bits contain the mid-low data byte for the parameter being written to.

Example telegram

Bit	b15-b12	b11-b8	b7-b4	b3-b0
Value	0001	0101	1110	1010

Data word = 0x15EA

Stamp number = 5

Data mid-low byte = 0xEA = 234

When the fifth telegram has been received and processed in the slave node, it is mirrored in the non-cyclic IN word. This is the signal to the master controller program that the fifth telegram of the message has been received and understood and the sixth telegram can be transmitted.

TELEGRAM 6

The sixth telegram from the PROFIBUS-DP master has the stamp number set to 6. The data bits contain the low data byte for the parameter that is being written to.

Example telegram

Bit	b15-b12	b11-b8	b7-b4	b3-b0
Value	0001	0110	0110	0011

Data word = 0x1663

Stamp number = 6

Data low byte = 0x63 = 99

When the sixth telegram has been received and processed in the slave node, it will write the data (Pr 1.21 = 12553.9) as transmitted (The decimal point is automatically inserted when the data is transferred to the drive). If the operation is successful, the ERR bit is reset to 0 and the telegram is reflected in the non-cyclic IN word.

Example response - success

Bit	b15-b12	b11-b8	b7-b4	b3-b0
Value	0001	0110	0110	0011

Data word = 0x1663

Stamp number = 6

Data low byte = 0x63 = 99

If there was a problem with writing the data to the defined parameter, e.g. parameter is read only, does not exist, or data is out of range, the ERR bit is set to 1.

Example response - failure

Bit	b15-b12	b11-b8	b7-b4	b3-b0
Value	0101	0110	0110	0011

Data word = 0x5663

Stamp number = 6

7.4.4 Abort CT Single Word non-cyclic message

The internal state machine that controls the non-cyclic data transfer will only accept a new telegram if it contains the next expected telegram (i.e. after accepting telegram 2, the state machine will only respond to telegram 3. If telegram 4 is received, it will be ignored).

If an error occurs in the master controller that causes the telegrams to get out of step, the master controller program should time-out, abort the message and reset the non-cyclic state machine.

A Mode 1 non-cyclic message can be abandoned by resetting the state machine. This is done by setting the non-cyclic word to 0.

Example telegram

Bit	b15-b12	b11-b8	b7-b4	b3-b0
Value	0000	0000	0000	0000

Data word = 0x0000

Stamp number = 0

7.4.5 16-bit parameter access

Normally 6 telegrams would be required to access drive parameters using mode 1 non-cyclic data. When accessing 16-bit data only 4 telegrams are required. If an attempt is made to read a 32-bit parameter from the drive the parameter value will be returned, provided that the parameter value does not exceed signed 16-bit limits. If the value is larger than a signed 16-bit value, the ERR bit will be set. When writing data to a 32-bit parameter, the 16-bit data will be treated as a signed 16-bit data value. This limits the range that can be written to a 32-bit parameter.

7.5 Mode 2 - PPO 4 Word mode

PPO 4 word mode of non-cyclic data is a simple method of accessing non-cyclic data without the need for the telegrams required with mode 1 non-cyclic data and it's associated overheads. Mode 2 has the disadvantage of using 4 words of mappings and reduces the available free mappings accordingly.

7.5.1 Mapping for PPO 4 Word non-cyclic data

To configure an SM-PROFIBUS-DP for PPO 4 word mode non-cyclic data, the following steps must be performed:

1. Set Pr **MM.05** to the required mode (see section 7.2 *Setting the non-cyclic mode*).
2. Set Pr **MM.32** to ON to re-initialise SM-PROFIBUS-DP.
3. Save the parameters if required (see section 5.9 *Saving parameters to the drive* for more information).

When the SM-PROFIBUS-DP re-initialises, it will map IN words 0 to 3 and OUT words 0 to 3 to the PPO 4 Word protocol parameter, Pr **61.51**. All existing mapping parameters will be moved down by 1 mapping, (i.e. the previous mappings set in Pr **MM.10** and Pr **MM.20** will now appear in Pr **MM.11** and Pr **MM.21** respectively). Table 7.6 shows what happens to the mappings when the data format is changed from 10 cyclic words (Pr **MM.05** = 10) to 10 cyclic words with Mode 2 non-cyclic data. (Pr **MM.05** = 210).

Table 7.6 PPO 4 Word mode data mapping

Mapping parameter	Before format change (Pr 17.05 = 10)		After format change (Pr 17.05 = 210)	
	Value	Mapping	Value	Mapping
Pr 17.10	1040	Pr 10.40, status word	6151	Pr 61.51, PPO 4 Word
Pr 17.11	201	Pr 2.01, post ramp speed ref	1040	Pr 10.40, status word
Pr 17.12	0	Not mapped	201	Pr 2.01, post ramp speed ref
Pr 17.13 to Pr 17.19	0	Not mapped	0	Not mapped
Pr 17.20	642	Pr 6.42, control word	6151	Pr 61.51, PPO 4 Word
Pr 17.21	121	Pr 1.21, digital speed ref 1	642	Pr 6.42, control word
Pr 17.22	0	Not mapped	121	Pr 1.21, digital speed ref 1
Pr 17.23 to Pr 17.29	0	Not mapped	0	Not mapped

NOTE If all IN or OUT mapping parameters are being used when the data format change is implemented, the last mapping parameter value will be lost.

7.5.2 PPO 4 Word protocol

The table below shows the data structure required on the OUT data to implement PPO 4 Word request.

NOTE Decimal point information is inserted automatically when the data value is written to the drive and removed when the data value is read. Hence the number of decimal places of the target parameter must be known. Writing a value of 1234 to a parameter with 2 decimal places will produce a value of 12.34 in the target parameter. Similarly reading a value of 12.34 will return a 32-bit integer value of 1234.

Table 7.7 PPO 4 Word OUT data structure

OUT data word	Function			
	b15-b12	b11	b10-b8	b7-b0
OUT word 0	TASK ID	0	MENU	
OUT word 1	PARAMETER		Reserved	
OUT word 2	DATA HIGH word			
OUT word 3	DATA LOW word			

The PPO 4 Word protocol is controlled by the TASK ID and RESPONSE ID. The TASK ID specifies the transaction required and the remainder of the data words carry the data for the transaction. The table below lists the possible TASK ID codes.

Table 7.8 TASK ID codes

TASK ID	Function	Description
0	No task	No non-cyclic transaction required
1	Fieldbus specific	
2	Fieldbus specific	
3	Fieldbus specific	
4	Not implemented	Reserved
5	Not implemented	Reserved
6	Request parameter value	Read parameter value from drive. Specify MENU and PARAMETER, set DATA HIGH word and DATA LOW word to 0.
7	Change parameter value (16 bit)	Write 16-bit parameter value to the drive. Specify MENU, PARAMETER and DATA LOW word. (Any value in DATA HIGH word will be discarded.) This function can be used to write to 32-bit drive parameters, but the range of values is limited to 16-bits.
8	Change parameter value (32 bit)	Write 32-bit parameter value to the drive. Specify MENU, PARAMETER, DATA HIGH word and DATA LOW word. This function can also be used to write to 16-bit drive parameters, but if DATA HIGH word is not set to 0, a value over-range error will be reported.
9	Request last parameter reference	Returns the last parameter for the specified menu. Specify MENU. (Values in PARAMETER, DATA HIGH word and DATA LOW word will be discarded.)

Table 7.9 shows the data structure of a PPO 4 Word response that will be returned by a SM-PROFIBUS-DP.

Table 7.9 PPO 4 Word IN data structure

IN data word	Function			
	b15-b12	b11	b10-b8	b7-b0
IN word 0	RESPONSE ID	0	MENU	
IN word 1	PARAMETER			
IN word 2	DATA HIGH word			
IN word 3	DATA LOW word			

The RESPONSE ID indicates the success or otherwise of the requested transaction. The table below lists the possible RESPONSE ID codes.

Table 7.10 RESPONSE ID codes

RESPONSE ID	Function	Description
0	No task	No non-cyclic transaction active
1	Fieldbus specific	
2	Fieldbus specific	
3	Not implemented	
4	Transfer parameter value (16-bit)	Returns a 16 bit data value from the request parameter value specified by TASK ID 6, or the successful change parameter value (16-bit) specified by TASK ID 7.
5	Transfer parameter value (32-bit)	Returns a 32 bit data value from the request parameter value specified by TASK ID 6, or the successful change parameter value (32-bit) specified by TASK ID 8.
6	Transfer last parameter reference	Returns the highest parameter for the menu specified by request last parameter reference, TASK ID 9.
7	Error - TASK ID could not be executed	The previously specified TASK ID could not be completed. Word 3 will return an error code to indicate the reason for the TASK ID failure (see table below).
8	Error - read only parameter	Target parameter specified by TASK ID 7 or TASK ID 8 is read only, and cannot be modified.

If RESPONSE ID 7 has been received, the error code can be read from word 3. This will indicate the reason why the TASK ID request failed (see Table 7.11).

Table 7.11 PPO 4 Word error codes

ERROR CODE	Error	Description
0	Invalid menu	The specified menu does not exist.
1	Parameter is read only	The specified parameter is read only, and cannot be written to.
2	Value out of range	The specified data value is out of range for the parameter.
3	Invalid parameter / menu	The specified parameter does not exist.
18	Parameter error	No last parameter information available.

Safety Information
Introduction
Mechanical Installation
Electrical Installation
Getting started
GSD Files
Cyclic data
Non-cyclic data
Control and status words
Diagnostics
Advanced Features
PROFIBUS profile
Quick reference
Glossary Of Terms
Index

7.5.3 Reading parameters using PPO 4 Word mode

The diagram below shows the sequence of events required to read a drive parameter using the PPO 4 Word non-cyclic channel.

Figure 7-4 PPO 4 Word Read sequence

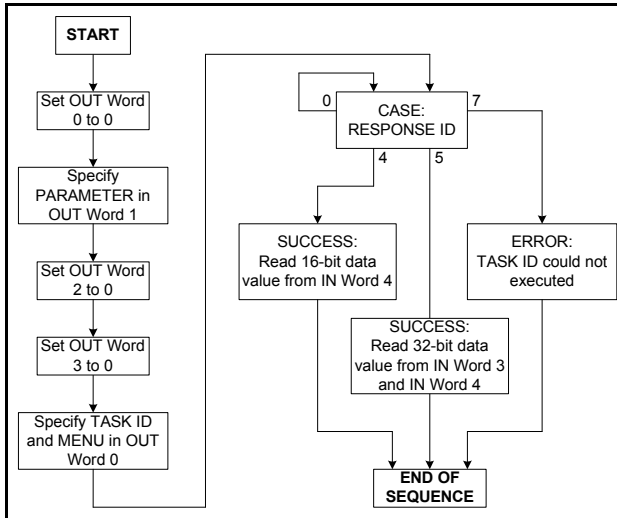


Table 7.12 shows the possible TASK ID and RESPONSE ID combinations that may be seen when attempting to read a parameter value from a drive.

Table 7.12 PPO 4 Word Read TASK ID and RESPONSE ID combinations

Function	TASK ID	RESPONSE ID	Message status
No Task	0	0	No message active.
Request Parameter Value (16 bit)	6	4	Parameter read successfully, 16 bit value returned in word 3.
Request Parameter Value (32 bit)	6	5	Parameter read successfully, 32 bit value returned in words 2 and 3.
Request Parameter Value (16 bit)	6	7	TASK ID 6 could not be executed. Check the error code in IN word 3 for the reason why.
Request Last (Parameter Reference)	9	6	The highest parameter reference in specified menu is available in IN word 3.
Request Last Parameter Reference	9	7	TASK ID 9 could not be executed. Check the error code in IN word 3 for the reason why.

Table 7.13 shows an example set of data words for PPO 4 Word mode. This example will read the value in the post ramp speed reference (Pr **2.01**) in the drive.

Table 7.13 PPO 4 Word read request example

OUT data word	Hex value	Function			
		b15-b12	b11	b10-b8	b7-b0
OUT word 0	0x6002	TASK ID = 6	0	MENU = 2	
OUT word 1	0x0001	PARAMETER = 1		0	
OUT word 2	0x0000	DATA HIGH word = 0			
OUT word 3	0x0000	DATA LOW word = 0			

Table 7.14 shows an example successful read response to the read instruction illustrated above. The value returned is 15284, which equates to 1528.4 rpm.

Table 7.14 PPO 4 Word read response example

IN data word	Hex value	Function			
		b15-b12	b11	b10-b8	b7-b0
IN word 0	0x5002	RESPONSE ID = 5	0	MENU = 2	
IN word 1	0x0001	PARAMETER = 1		0	
IN word 2	0x0000	DATA HIGH word = 0			
IN word 3	0x3BB4	DATA LOW word = 15284			

NOTE

It is important that the correct module is selected from the GSD file to ensure that the PPO 4 word mode block is consistent otherwise data skew may occur. If the OUT data words 0 and 1 are left at the same value, the target parameter will be read or written to (depending on the TASK ID) on every data cycle. If the PPO 4 command is left in the data words, the read will be executed on every poll of the network, effectively providing a continuous read. Care should be taken to ensure the parameters for the read are setup before the TASK ID is changed from 0 to prevent incorrect data in the returned value.

7.5.4 Writing parameters using PPO 4 Word mode

Figure 7-5 shows the sequence of events required to write to a drive parameter using the PPO 4 Word non-cyclic channel.

Figure 7-5 PPO 4 Word write sequence

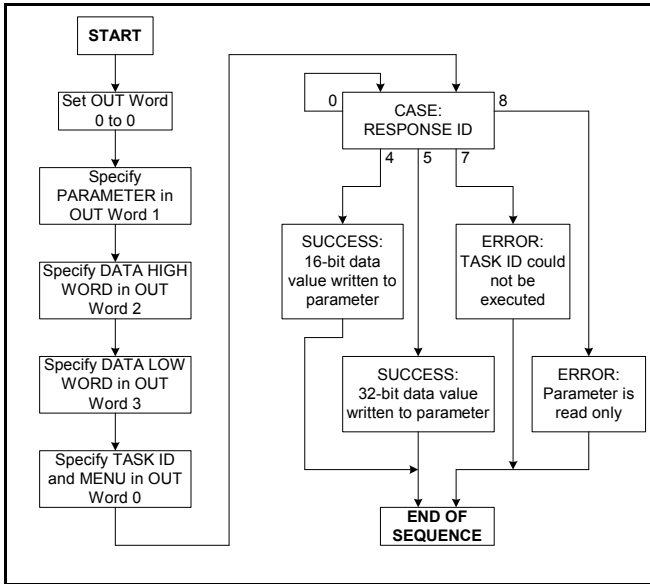


Table 7.15 shows the possible TASK ID and RESPONSE ID combinations that may be seen when attempting to write to the drive.

Table 7.15 PPO 4 Word write TASK ID and RESPONSE ID combinations

Function	TASK ID	RESPONSE ID	Message status
No Task	0	0	No message active.
Write Parameter Value (16 bit)	7	4	Parameter (16 bit) written successfully.
Write Parameter Value (32 bit)	8	5	Parameter (32 bit) written successfully.
Write Parameter Value (16 bit)	7	7	TASK ID 7 could not be executed. Check the error code in IN word 3 for the reason why.
Write Parameter Value (32 bit)	8	7	TASK ID 8 could not be executed. Check the error code in IN word 3 for the reason why.
Write Parameter Value (32 bit)	8	8	Parameter is read only, and cannot be written to.

Table 7.16 shows an example set of data words for PPO 4 Word mode. This example will write a value of 1553.9 rpm (32-bit value is 15539) to the digital speed reference 1 (Pr 1.21) to the drive.

Table 7.16 PPO 4 Word write request example

OUT data word	Hex value	Function			
		b15-b12	b11	b10-b8	b7-b0
OUT word 0	0x8001	TASK ID = 8	0	MENU = 1	
OUT word 1	0x0015	PARAMETER = 21		0	
OUT word 2	0x0001	DATA HIGH word = 0			
OUT word 3	0x3CB3	DATA LOW word = 15539			

Table 7.17 shows an example successful write response to the write instruction illustrated above in Table 7.16.

Table 7.17 PPO 4 Word write response example

IN data word	Hex value	Function			
		b15-b12	b11	b10-b8	b7-b0
IN word 0	0x5001	RESPONSE ID = 5	0	MENU = 1	
IN word 1	0x0015	PARAMETER = 21		0	
IN word 2	0x0000	DATA HIGH word = 0			
IN word 3	0x3CB3	DATA LOW word = 15539			

NOTE

If the PPO 4 command is left in the data words, the write will be executed on every poll of the network, effectively providing a continuous write. Care should be taken to ensure the parameters for the write are setup before the TASK ID is changed from 0 to prevent incorrect data being written.

7.6 SM-PROFIBUS-DP configuration using non-cyclic data

The SM-PROFIBUS-DP can be configured using CT Single Word or PPO 4 Word non-cyclic data. This is useful when using a master controller to configure the drive; when a drive is initialised only the node address **MM.03** and the data mode **MM.05**, needs to be set manually. The master can now use PPO 4 Word mode to setup the remainder of the parameters.

The configuration parameters for the slot in which the SM-PROFIBUS-DP is located can be accessed as Pr **60.PP**. Any changes made to the configuration parameters will not take effect until the SM-PROFIBUS-DP has been reset. The SM-PROFIBUS-DP can be reset by writing a value of 1 to Pr **60.32**. A brief interruption in PROFIBUS-DP communications may be seen while the reset sequence is in progress.

8 Cyclic data

8.1 What is cyclic data?

Cyclic data transfer is a method of transferring data on a regular time period, often known as “polled data”. High-speed data transfer is achieved by transmitting only data bytes over the PROFIBUS-DP network and using local mapping information within the SM-PROFIBUS-DP and PROFIBUS-DP master controller to ensure that the correct data is sent to the correct locations. The flexibility of the SM-PROFIBUS-DP means that each cyclic data OUT channel can be directed to any read write drive parameter. Similarly each cyclic data IN channel can use any drive parameter as a source of data.

NOTE

- The term “OUT” data refers to data that is transmitted out of the master to the slave.
- The term “IN” data refers to data that is returned from a slave into the master.
- Cyclic data mapping cannot be changed dynamically, as changes to the mapping parameters will only take effect during initialisation of the SM-PROFIBUS-DP.
- The maximum number of 16 bit mappings that is possible is: 32 with only cyclic data, 31 with CT Single Word (mode 1) non-cyclic data and 28 with PPO4 Word (mode 2). This requires data compression to be enabled, see section 11.5 *Cyclic data compression* for more information.
- The maximum number of 32 bit mappings that is possible is: 16 with only cyclic data, 15 with CT Single Word (mode 1) non-cyclic data and 14 with PPO4 Word (mode 2).
- **Proxidrive**, **Varmeca 33/34** and **Powerdrive** do not support block mapping: The maximum number of mappings is limited to 10 for both 16 bit and 32 bit mappings with or without non-cyclic data.

See section 11.5 *Cyclic data compression* for information on using data compression with 16 bit parameters.

8.2 Data formats

The SM-PROFIBUS-DP can be configured with up to 16 (32 bit) or 32 (16 bit) cyclic IN and OUT data words. IN and OUT cyclic data words are mapped using 10 mapping (pointer) parameters, one for each mapping.

To utilise the full range of 32 cyclic IN and OUT data words the “block mapping” mode must be used (see section 11.6 *Unidrive SP and Digidrive SK: Block mapping* on page 66).

NOTE

By default all drive parameters are cast as 32 bit (2 x 16 bit words) therefore 32 cyclic words gives 16 possible drive parameters. Data compression reduces the number of cyclic words required for drive parameters of 16 bit (or less) to 16 bits thus allowing for 32 possible 16 bit parameters (Proxidrive, Varmeca 33/34 and Powerdrive provide support for only 10 mappings, reducing the total words to a maximum of 20 in both directions). Any 32 bit parameters mapped will still require 2 x 16 bit words even with compression turned on. **Proxidrive**, **Varmeca 33/34** and **Powerdrive** do not support block mapping.

In addition to cyclic data, non-cyclic data (see section 7.1 *What is non-cyclic data?* on page 28) exchange is also possible by using either:

- Mode 1 - CT single word mode
- Mode 2 - PPO 4 Word mode.

The SM-PROFIBUS-DP data format is specified as “NNCC”, where NN is the non-cyclic data mode, and CC is the number of cyclic data words.

Table 8.1 Valid PROFIBUS-DP data formats

Pr MM.05	N	CC	Non-cyclic mode	Cyclic words
1 to 32	0	1 to 32	None	1 to 32
100 to 131	1	0 to 31	CT Single Word	1 to 31
200 to 228	2	0 to 28	PPO 4 Word	1 to 28

The method used to map data to and from the PROFIBUS-DP network is similar to the method used in the drive for mapping analog and digital I/O. The reference for the source or target parameter is entered in the mapping parameter in the form MMPP, where:

MM = menu number of the target/source parameter

PP = parameter number of the target/source parameter.

Table 8.2 SM-PROFIBUS-DP mapping parameters

IN channel	Mapping parameter	OUT channel	Mapping parameter
0	Pr MM.10	0	Pr MM.20
1	Pr MM.11	1	Pr MM.21
2	Pr MM.12	2	Pr MM.22
3	Pr MM.13	3	Pr MM.23
4	Pr MM.14	4	Pr MM.24
5	Pr MM.15	5	Pr MM.25
6	Pr MM.16	6	Pr MM.26
7	Pr MM.17	7	Pr MM.27
8	Pr MM.18	8	Pr MM.28
9	Pr MM.19	9	Pr MM.29

NOTE

A cyclic data channel does not use decimal points. For example, in Open Loop mode, digital speed reference 1 (Pr 1.21) has units of Hertz, accurate to 1 decimal place. To write a value of 24.6Hz to Pr 1.21, the value must be transmitted as 246.

“Block mapping” can be used to map several words to consecutive drive parameters. Full details about “block mapping” can be found in section 11.6 *Unidrive SP and Digidrive SK: Block mapping* on page 66.

When the data format is configured using Pr MM.05, the SM-PROFIBUS-DP will communicate using the same number of data words for IN and OUT data. It is, however, possible to configure the SM-PROFIBUS-DP to communicate with different numbers of IN and OUT cyclic data words. Refer to section 11.8 *Custom SM-PROFIBUS-DP data formats* on page 69 for full details.

If a mapping parameter is set to an invalid value (e.g. destination parameter is read only, or parameter does not exist) the SM-PROFIBUS-DP will indicate a mapping error in the operating status parameter (Pr MM.06). The reason for the mapping error will be indicated by the mapping status parameter (Pr MM.49). Refer to section 10.8 *SM-PROFIBUS-DP mapping status* on page 59 for more details.

The following sections show some example data formats that can be selected, and the parameter mapping that will apply (by default) to each format.

Safety Information
Introduction
Mechanical Installation
Electrical Installation
Getting started
GSD Files
Cyclic data
Non-cyclic data
Control and status words
Diagnostics
Advanced Features
PROFIBUS profile
Quick reference
Glossary Of Terms
Index

8.2.1 2 cyclic channels only (default - compression off)

This data format provides two cyclic data channels with no non-cyclic data. The total data length is 4 words in and 4 words out.

To select this data format, set Pr **MM.05** = 4. This data format is selected by default.

Table 8.3 Mapping for 4 cyclic data words

Data word	Parameter	Default mapping status
IN word 0, 1	Pr MM.10	Pr 10.40 , status word
IN word 2, 3	Pr MM.11	Pr 2.01 , post-ramp speed reference
OUT word 0, 1	Pr MM.20	Pr 6.42 , control word
OUT word 2, 3	Pr MM.21	Pr 1.21 , digital speed reference 1

8.2.2 3 cyclic channels with Mode 1 non-cyclic data (compression off)

This data format provides three cyclic data channels, plus an additional channel for Mode 1 (CT Single Word) non-cyclic data (See section 7.3 *Mode 1 - CT Single Word mode* on page 29). The total data length is 8 words in and 8 words out.

To select this data format, set Pr **MM.05** = 106.

Table 8.4 Mapping for 3 cyclic channels with CT Single Word non-cyclic data

Data word	Parameter	Default mapping status
IN word 0, 1	Pr MM.10	Pr 61.50 , CT Single Word
IN word 2, 3	Pr MM.11	Pr 10.40 , status word
IN word 4, 5	Pr MM.12	Pr 2.01 , post-ramp speed reference
IN word 6, 7	Pr MM.13	0, not mapped
OUT word 0, 1	Pr MM.20	Pr 61.50 , CT Single Word
OUT word 2, 3	Pr MM.21	Pr 6.42 , control word
OUT word 4, 5	Pr MM.22	Pr 1.21 , digital speed reference 1
OUT word 6, 7	Pr MM.23	0, not mapped

8.2.3 5 cyclic channels only (compression off)

This data format provides five cyclic data channels, with no non-cyclic data channel. The total data length is 10 words in and 10 words out.

To select this data format, set Pr **MM.05** = 10

Table 8.5 Mapping for 5 cyclic channels

Data word	Parameter	Default mapping status
IN word 0, 1	Pr MM.10	Pr 10.40 , status word
IN word 2, 3	Pr MM.11	Pr 2.01 , post-ramp speed reference
IN word 4-9	Pr MM.12 to Pr MM.14	0, not mapped
OUT word 0, 1	Pr MM.20	Pr 6.42 , control word
OUT word 2, 3	Pr MM.21	Pr 1.21 , digital speed reference 1
OUT word 4-9	Pr MM.22 to Pr MM.24	0, not mapped

8.2.4 8 cyclic channels with Mode 2 non-cyclic data (compression off)

This data format provides eight cyclic data channels, plus an additional 4 words for Mode 2 (PPO 4 Word) non-cyclic data (See section 7.5.1 *Mapping for PPO 4 Word non-cyclic data* on page 39). The total data length is 20 words in and 20 words out. To select this data format set Pr **MM.05** = 216.

Table 8.6 Mapping for 8 cyclic channels with PPO 4 Word non-cyclic data

Data word	Parameter	Default mapping status
IN word 0-3	Pr MM.10	Pr 61.51 , Mode 2 non-cyclic data
IN word 4, 5	Pr MM.11	Pr 10.40 , status word
IN word 6, 7	Pr MM.12	Pr 2.01 , post-ramp speed reference
IN word 8-19	Pr MM.13 to Pr MM.19	0, not mapped
OUT word 0-3	Pr MM.20	Pr 61.51 , Mode 2 non-cyclic data
OUT word 4, 5	Pr MM.21	Pr 6.42 , control word
OUT word 6, 7	Pr MM.22	Pr 1.21 , digital speed reference 1
OUT word 8-19	Pr MM.23 to Pr MM.29	0, not mapped

8.3 SM-PROFIBUS-DP mapping conflicts

Care must be taken to ensure that there are no clashes between mappings in the SM-PROFIBUS-DP cyclic OUT data and other drive parameters such as:

- other SM-PROFIBUS-DP cyclic OUT channels
- mappings from additional SM modules if fitted (Unidrive SP only)
- analog inputs
- digital inputs
- logic outputs
- motorised pot output
- comparator outputs
- variable selected outputs

The SM-PROFIBUS-DP will not indicate if there is a conflict with any of the above. Should a conflict occur and a parameter is written to from two or more different sources, the value of this parameter will depend entirely upon the scan times for the function and the PROFIBUS-DP network. The result would be that a parameter may appear to be steady at a particular value on the drive display, although an occasional glitch in the displayed value may be seen. However, internally, this value may be changing continuously between 2 values, leading to unusual behavior from the drive.

8.4 Cyclic data mapping errors

The SM-PROFIBUS-DP will scan and check the PROFIBUS-DP mapping parameter configuration for errors during initialisation. If an error is detected, the PROFIBUS-DP operating status parameter (Pr **MM.06**) will indicate -3, and the mapping error detected will be indicated in mapping status parameter, Pr **MM.49**. See section 10.8 *SM-PROFIBUS-DP mapping status* on page 59 for full details.

Safety Information
Introduction
Mechanical Installation
Electrical Installation
Getting started
GSD Files
Cyclic data
Non-cyclic data
Control and status words
Diagnostics
Advanced Features
PROFIBUS profile
Quick reference
Glossary Of Terms
Index

8.5 Mapping limitations

When setting mapping values care should be taken not to exceed the data size set in Pr **MM.05** (or Pr **MM.39** and Pr **MM.40**). The data size depends on the size of the mapped parameter and if data compression is turned on or not (see Table 8.7).

Table 8.7 Actual data sizes

Parameter size (bits)	Actual data size (bits) compression on	Actual data size (bits) compression off
1	16	32
8	16	32
16	16	32
32	32	32

Consider the following example:

mapping Pr **MM.10** to a 32 bit value and **MM.11** to a 16 bit value
mapping Pr **MM.20** to a 32 bit value and **MM.21** to a 32 bit value
data compression turned on Pr **MM.34** set to on

would require the following settings:

Pr **MM.39** = 3 and Pr **MM.40** = 4

If the size of the input and output mappings is identical then the value may be set in Pr **MM.05**.

8.6 Disabling mappings

Any unused mapping parameters (Pr **MM.10** to Pr **MM.19** and Pr **MM.20** to Pr **MM.29**) should be set to 0.

NOTE

Having unmapped channels between valid mapped channels is not permitted and will result in a configuration error (i.e. Pr **MM.06** will indicate -3).

9 Control and status words

9.1 What are control and status words?

The control and status words allow the digital control and monitoring of the drive to be implemented using a single data word for each function. Each bit in the control word has a particular function and provides a method of controlling the output functions of the drive, such as run and direction.

Each bit in the status word provides feedback about the drive's state of health and operational condition, such as drive healthy, drive at speed, etc.

9.2 Control word

The SM-PROFIBUS-DP control word consists of 16 control bits some of which are reserved. See Table 9.1 for the individual bit function descriptions.

Table 9.1 Control word bit definitions

b15	b14*	b13	b12*	b11	b10	b9*	b8
	KEYPAD WDOG	RESET	TRIP			JOG REV	REMOTE
b7*	b6*	b5	b4	b3	b2**	b1	b0
AUTO	NOT STOP	RUN	FWD REV	RUN REV	JOG FWD	RUN FWD	ENABLE

*not used on Proxidrive, Varmeca 33/34 and Powerdrive.

** On Powerdrive , b2 = JOG.

To enable fieldbus control the fieldbus enable signal (Pr **6.43**) and the auto bit (bit7) must both be set to '1'. When the AUTO bit is reset to 0 the drive will revert to terminal control. See the drive documentation for a description of this feature with Proxidrive or Varmeca 33/34.

For safety reasons, the external HARDWARE ENABLE signal must be present before the fieldbus control word can be used to start the drive. This terminal is normally controlled by an external "Emergency Stop" circuit to ensure that the drive is disabled in an emergency situation.

The control word REMOTE bit directly controls the drive parameter Pr **1.42**, the function of which is to select the digital speed reference as the source of the drive's speed reference. When the REMOTE bit is reset to 0 the drive will revert to using the external analog speed reference.

The actual digital speed reference selected when REMOTE is set to 1 will be Pr **1.21**, which is also the default mapping for the fieldbus speed reference. However Pr **1.15** can be used to change which of the digital references is selected. For further details on the drive digital speed reference, please refer to the appropriate drive User Guide.

Table 9.2 lists in detail the function of each control word bit. For further in-depth details about drive control words and sequencing bits please refer to the appropriate drive User and Advanced User Guides.

NOTE

When a trip occurs, the drive control word **MUST** be set to a safe, disabled state. This ensures that the drive does not re-start unexpectedly when it is reset. This can be achieved by continuously monitoring the drive status word, and interlocking it with the control word.

NOTE By default data compression is off and therefore the control word will be cast as 32 bit with bits 16-31 reserved.

Table 9.2 control word bit functions

Bit	Function	Description
0	ENABLE	Set to 1 to enable the drive. Resetting to 0 will immediately disable the drive, and the motor will coast to a stop. The external HARDWARE ENABLE signal must also be present before the drive can be enabled.
1	RUN FWD	Set to 1 (with ENABLE set to 1) to run the motor in the forward direction. When reset to 0, the drive will decelerate the motor to a controlled stop.
2	JOG FWD	Set to 1 to jog the motor forward. This signal needs to be used in conjunction with the ENABLE bit. This signal is overridden by a RUN, RUN REV or RUN FWD signal.
3	RUN REV	Set to 1 (with ENABLE set to 1) to run the motor in the reverse direction. When reset to 0, the drive will decelerate the motor to a controlled stop.
4	FWD REV	Set to 1 to select the reverse direction. Set to 0 to run in the forward direction. The RUN signal is used to start and stop the motor.
5	RUN	Set to 1 to run the motor. FWD REV is used to select the direction of motor rotation. When reset to 0, the drive will decelerate the motor to a controlled stop.
6*	NOT STOP	Set to 1 to allow the sequencing bit to be latched. If NOT STOP is zero, all latches are cleared and held at 0. Pr 6.04 must be correctly set for this to function.
7	AUTO	Set to 1 to enable fieldbus control of the drive Control Word. The Control Word Enable (Pr 6.43) must also be set to 1. When reset to 0, the drive will operate under terminal control.
8	REMOTE	Set to 1 to select digital speed reference 1 (Pr 1.21), and reset to 0 to select analog reference 1 (Pr 1.36). REMOTE directly controls Pr 1.42 , so reference selector (Pr 1.14) and preset selector (Pr 1.15) must both be set to 0 (default) for the REMOTE bit to work properly.
9*	JOG REV	Set to 1 to jog the motor in reverse. This signal needs to be used in conjunction with the ENABLE bit. This signal is overridden by a RUN, RUN REV or RUN FWD command.
10	Reserved	
11	Reserved	
12*	TRIP	Set to 1 to trip the drive at any time. The trip display on drive will be "CL.bit" and the trip code will be 35. AUTO (b7) has no effect on this function. The trip cannot be cleared until TRIP is reset to 0.
13	RESET	A 0-1 transition of the RESET bit will reset the drive from a trip condition. If the reason for the trip is still present, or another fault condition has been detected, the drive will immediately trip again. When resetting the drive, it is recommended to check the status word to ensure that the reset was successful, before attempting to re-start the drive.
14*	KEYPAD WDOG	This watchdog is provided for an external keypad or other devices where a break in the communication link must be detected. The watchdog system can be enabled and/or serviced if this bit is changed from zero to one whilst the control word enabled. Once the watchdog is enabled it must be serviced at least once every second or an "SCL" trip will occur. The watchdog is disabled when an "SLC" trip occurs, and so it must be re-enabled when the trip is reset.
15	Reserved	

*Not supported on Proxidrive, Varmeca 33/34 and Powerdrive.

9.3 Status word

The SM-PROFIBUS-DP status word consists of 16 control bits some of which are reserved. See the table below for the individual bit function descriptions.

b15	b14	b13	b12	b11	b10	b9	b8
Not Used	Mains Loss	Direction Running	Direction Set	Brake Alarm	Brake Active	Regen	Current Limit
b7	b6	b5	b4	b3	b2	b1	b0
Load Reached	Above Set Speed	At Set Speed	Below Set Speed	Running At Speed	Zero Speed	Drive Active	Drive Healthy

The fieldbus status word is mapped directly from the drive status word, Pr **10.40**.

Pr **10.40**, is generated by the values of several individual drive status bits Table 9.3 shows the function indicated by each bit in the status word when set to 1.

Table 9.3 Drive status word bit functions

Bit	Parameter	Description
0	Pr 10.01	bit 0 = 0: Drive in stop mode. bit 0 = 1: Drive in ready state.
1	Pr 10.02	Drive active When bit 1 = 1, the drive is in run mode.
2	Pr 10.03	Zero speed In Open Loop mode, zero speed indicates that the absolute value of the post-ramp speed reference is at or below the zero speed threshold. <i>Unidrive SP only</i> - In Closed Loop and Servo modes, zero speed indicates that the absolute value of speed feedback is at or below the zero speed threshold.
3	Pr 10.04	Running at or below minimum speed In bipolar mode (Pr 1.10 = 1) Pr 10.04 is the same as zero speed, Pr 10.03 . (See above.) In unipolar mode, Pr 10.04 is set if the absolute value of the post-ramp speed reference (Pr 2.01) or speed feedback (Pr 3.02) is at or below minimum speed + 0.5Hz or 5rpm. (Minimum speed is defined by Pr 1.07 .) This parameter is only set if the drive is running.
4	Pr 10.05	Below set speed Only set if the drive is running at below set speed. Refer to Pr 3.06 , Pr 3.07 and Pr 3.09 in the drive User Guide for more details.
5	Pr 10.06	At speed Only set if the drive is running at set speed. Refer to Pr 3.06 , Pr 3.07 and Pr 3.09 in the drive User Guide.
6	Pr 10.07	Above set speed Only set if the drive is running at above set speed. Refer to Pr 3.06 , Pr 3.07 and Pr 3.09 in the drive User Guide for more details.
7	Pr 10.08	Load reached Indicates that the modulus of the active current is greater or equal to the rated active current, as defined in menu 4. Refer to the drive Advanced User Guide for more details.
8	Pr 10.09	In current limit Indicates that the current limits are active.

Table 9.3 Drive status word bit functions

Bit	Parameter	Description
9	Pr 10.10	Regenerating Unidrive SP Only: regenerating indicates that power is being transferred from the motor to the drive. In regen mode, regenerating indicates that power is being transferred from the Unidrive SP to the supply.
10	Pr 10.11	Dynamic brake active Indicates that the braking IGBT is active. If the IGBT becomes active, this parameter will remain on for at least one second.
11	Pr 10.12	Dynamic brake alarm Dynamic brake alarm is set when the braking IGBT is active, and the braking energy accumulator is greater than 75%.
12	Pr 10.13	Direction commanded Direction commanded is set to 1 if the Pre-ramp speed reference (Pr 1.03) is negative and reset to 0 if the Pre-ramp speed reference is zero or positive.
13	Pr 10.14	Direction running A 0 indicates forward direction and a 1 indicates reverse direction. The source of this bit is Pr 2.01 for open loop mode and Pr 3.02 for closed loop and servo modes.
14	Pr 10.15	Mains loss Mains loss indicates that the drive has detected a mains loss from the level of the DC bus voltage. This parameter can only become active if mains loss ride through or mains loss stop modes are selected. Refer to Pr 6.03 in the <i>drive Advanced User Guide</i> for more details. <i>Unidrive SP only</i> - In regen mode, mains loss is the inverse of Pr 3.07. Refer to the <i>Unidrive SP Advanced User Guide</i> for more details.
15	Not Used	Reserved

10 Diagnostics

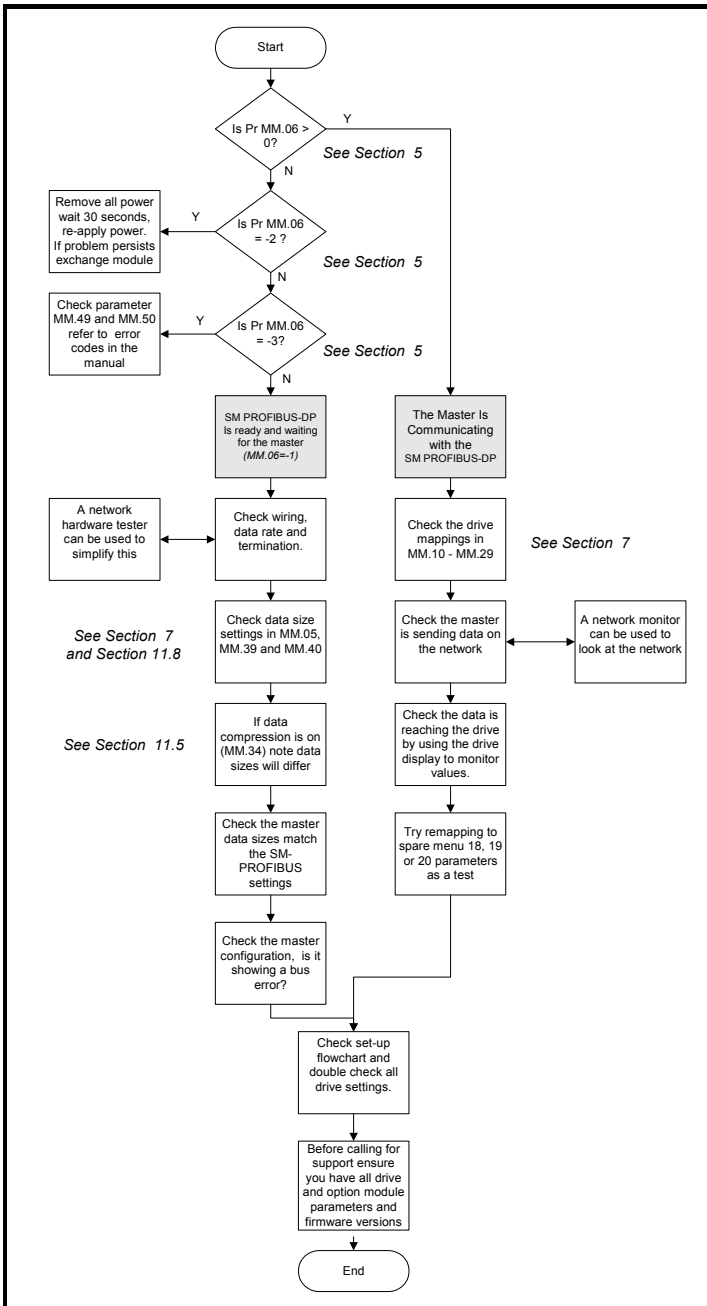
This section provides basic diagnostic information intended to enable resolution of the most common problems encountered when setting up a SM-PROFIBUS-DP on a PROFIBUS-DP network.

A high percentage of problems reported are basic set-up problems that can be avoided by using the following pages. Start by using the flow chart on the following page to determine the possible cause of a problem. If after following the flow chart you are still experiencing problems please contact your supplier or local drive centre for support.

NOTE Please note that support will be limited to the setting up and networking of the drive.

Safety Information
Introduction
Mechanical Installation
Electrical Installation
Getting started
GSD Files
Cyclic data
Non-cyclic data
Control and status words
Diagnostics
Advanced Features
PROFIBUS profile
Quick reference
Glossary Of Terms
Index

10.1 Diagnostic flow chart



10.2 Module ID code

Module ID code		
Pr MM.01	Default	403 (SM-PROFIBUS-DP)
	Range	0 to 499
	Access	RO

The module ID code indicates the type of module fitted in to the slot corresponding to menu MM. The module ID code for SM-PROFIBUS-DP is 403.

10.3 SM-PROFIBUS-DP firmware version

SM-PROFIBUS-DP firmware - major version (xx.yy)		
Pr MM.02	Default	N/A
	Range	00.00 to 99.99
	Access	RO

SM-PROFIBUS-DP firmware - minor version (zz)		
Pr MM.51	Default	N/A
	Range	0 to 99
	Access	RO

The full version of the SM-PROFIBUS-DP firmware can be read for the SM-PROFIBUS-DP. The full version is assembled by combining the major version (xx.yy) and the minor version (zz) as follows: xx.yy.zz.

10.4 SM-PROFIBUS-DP node address

PROFIBUS-DP node address		
Pr MM.03	Default	126
	Range	0 to 126
	Access	RW

Each node on a PROFIBUS-DP network must be given a unique network node address. The SM-PROFIBUS-DP must be re-initialised to make a change of node address take effect. Addresses 0 and 126 are reserved for system use and should not be used.

10.5 SM-PROFIBUS-DP data rate

PROFIBUS-DP data rate		
Pr MM.04	Default	N/A
	Range	-1 to 9
	Access	RO

The SM-PROFIBUS-DP will automatically detect the PROFIBUS-DP network data rate and synchronise to it. Pr **MM.04** will indicate the data rate that has been detected by the SM-PROFIBUS-DP.

A -1 indicates that the SM-PROFIBUS-DP has not detected any activity on the PROFIBUS-DP network and is waiting for the master controller to start communicating.

Table 10.1 PROFIBUS-DP data rates

Pr MM.04	bit/s	Pr MM.04	bit/s
-1	Auto-detecting	5	187.5k
0	12M	6	93.75k
1	6.0M	7	45.45k
2	3.0M	8	19.2k
3	1.5M	9	9.6k
4	500k		

NOTE The PROFIBUS-DP data rate parameter can be edited but this will not affect the data rate at which the SM-PROFIBUS-DP communicates. The data rate will be set automatically when the PROFIBUS-DP network is re-initialised.

10.6 SM-PROFIBUS-DP data format

SM-PROFIBUS-DP data format		
Pr MM.05	Default	4
	Ranges	0-32,100-131& 200 to 228
	Access	RW

The default data format is 4 cyclic words. Each cyclic data channel is mapped to a drive parameter, with default mappings as shown in the table below.

NOTE The maximum number of 16bit data words that is possible is 32 (in and out) with only cyclic data, 31 (in and out) with mode 1 non-cyclic data and 28 (in and out) with PPO4 word mode. This is reduced to a maximum of 10 (in and out) for Proxidrive, Varmeca 33/34 and Powerdrive.

10.7 SM-PROFIBUS-DP operating status

SM-PROFIBUS-DP operating status		
Pr MM.06	Default	N/A
	Range	-3 to 9999
	Access	RO

The operating status of the SM-PROFIBUS-DP can be viewed in the operating status parameter (Pr **MM.06**). When the SM-PROFIBUS-DP is communicating successfully with the PROFIBUS-DP master controller Pr **MM.06** will give an indication of the number of cyclic data messages that are being processed per second.

Table 10.2 PROFIBUS-DP operating status codes

Pr MM.06	Parameter	Description
>0	Network Healthy	Indicates the number of processed cyclic messages per second.
0	Network Healthy, No Data Transfer	Indicates that the PROFIBUS-DP master has established communications with the SM-PROFIBUS-DP. If operating status changes briefly to -1 and returns to 0, the slave configuration does not match the configuration in the master controller.
-1	Initialised	Indicates that the SM-PROFIBUS-DP has initialised correctly, and is waiting for the PROFIBUS-DP master to initialise communications.
-2	Internal Hardware Failure	Indicates that part of the SM-PROFIBUS-DP initialisation sequence was not successful. If this fault persists after a power cycle, replace the SM-PROFIBUS-DP.
-3	Configuration Error	Indicates that there is an invalid setting in the SM-PROFIBUS-DP configuration parameters.

If a mapping configuration error (see section 10.8 *SM-PROFIBUS-DP mapping status*) or network error (see section 10.10 *SM-PROFIBUS-DP error codes* on page 62) is detected the drive may trip. Refer to section 10.9 *Drive trip display codes* on page 61 for details about the drive trip display.

10.8 SM-PROFIBUS-DP mapping status

SM-PROFIBUS-DP mapping status		
Pr MM.49	Default	0
	Range	0 to 255
	Access	RO

If the SM-PROFIBUS-DP operating status parameter (Pr **MM.06**) indicates -3, a mapping configuration error has been detected. The reason for the error is indicated by the SM-PROFIBUS-DP mapping status parameter, Pr **MM.49**. When a mapping error has been corrected, re-initialise the SM-PROFIBUS-DP by setting Pr **MM.32** to ON (1).

Table 10.3 Generic mapping error codes

Mapping status	Error	Description
0	No error detected	No error detected with IN or OUT cyclic data mapping configuration.
2	Direct data mapping error	Non-cyclic data cannot be used when direct data mapping is enabled.
3	Invalid non-cyclic mode	An invalid non-cyclic data mode has been selected in Pr MM.05 .
5	Invalid mode value	The value entered in Pr MM.05 is not supported.
104	Multiple non-cyclic mapping error	A non-cyclic data mode has been mapped more than once in the IN data mapping configuration parameters (Pr MM.10 to Pr MM.19).
110	Configuration read error	An error has occurred reading the IN cyclic data mapping configuration parameters (Pr MM.10 to Pr MM.19) from the drive.
111	Invalid source parameter	One or more parameters specified in the IN cyclic data mapping configuration (Pr MM.10 to Pr MM.19) is outside of the allowed range for PROFIBUS-DP. The allowable parameter range is from Pr 0.00 to Pr 199.99 .

Table 10.3 Generic mapping error codes

Mapping status	Error	Description
112	Read mismatch	One or more parameters specified in the IN cyclic data mapping configuration (Pr MM.10 to Pr MM.19) cannot be used as a source parameter for IN data. The parameter may not exist.
113	Hole in IN data mapping configuration	IN cyclic data mapping parameters (Pr MM.10 to Pr MM.19) are not contiguous. It is not possible to have an un-used parameter in the middle of the cyclic data.
115	Inter-option communications error	A request to set up an inter-option communications block failed. Either the server does not support block transfer or parameters were not legal.
120	Too many IN data objects mapped	After expanding ranges of block mappings, too many IN cyclic data channels configured.
121	Mapping over length	Total size of all IN cyclic data mappings has exceeded the total size of the cyclic data.
122	Register mode objects exceeded	More than 10 cyclic IN data channels have been selected with direct data mapping mode.
204	Multiple non-cyclic mapping error	A non-cyclic data mode has been mapped more than once in the OUT cyclic data mapping configuration parameters (Pr MM.20 to Pr MM.29)
210	Configuration read error	An error has occurred reading the OUT cyclic data mapping configuration parameters (Pr MM.20 to Pr MM.29) from the drive.
211	Invalid destination parameter	One or more parameters specified in the OUT cyclic data mapping configuration (Pr MM.20 to Pr MM.29) is outside of the allowed range for PROFIBUS-DP. The allowable parameter range is from Pr 0.00 to Pr 199.99 .
212	Write mismatch	One or more parameters specified in the OUT cyclic data mapping configuration (Pr MM.20 to Pr MM.29) cannot be used as a destination parameter for OUT data. The parameter may not exist, or is a read-only parameter. This error will also occur if an attempt is made to map OUT data to the configuration parameters of a fieldbus option in another slot, unless that fieldbus is configured in register mode, i.e. Pr MM.09 = ON (1).
213	Hole in OUT data mapping configuration	OUT data mapping parameters (Pr MM.20 to Pr MM.29) are not contiguous. It is not possible to have an unused parameter in the middle of the cyclic data.
214	Duplicate mapping error	Two or more OUT cyclic data mapping configuration parameters (Pr MM.20 to Pr MM.29) have been configured with the same destination parameter reference.
215	Inter-option communications error	A request to set up an inter-option communications block failed. Either the server does not support block transfer or parameters were not legal.
220	Too many OUT data objects mapped	After expanding ranges of block mappings, too many OUT cyclic data channels configured.
221	Mapping over length	Total size of all OUT cyclic data mappings has exceeded the total size of the cyclic data.
222	Register mode objects exceeded	More than 10 cyclic OUT data channels have been selected with direct data mapping mode.

Additional error codes are also available with the SM-PROFIBUS-DP. These are listed in Table 10.4.

Table 10.4 SM-PROFIBUS-DP specific mapping error codes

Error	Mapping status	Description
Configuration error	30	No data format has been selected. Data format (Pr MM.05), Parameter Process Object (Pr MM.38) and PROFIBUS-DP IN and OUT cyclic words (Pr MM.39 and Pr MM.40) are all set to 0.
PPO error	31	The pre-defined PPOs (1 to 5) cannot be used when direct data mapping is enabled.
PPO and data format error	32	PPOs can only be selected if the data format parameter (Pr MM.05) is set to 0.
Data compression disabled with PPO	33	PPOs can only be selected if data compression (Pr MM.34) is enabled.

10.9 Drive trip display codes

If the SM-PROFIBUS-DP detects an error during operation, it will force a trip on the drive. However, the trip code displayed on the drive will only indicate which slot initiated the trip. The exact reason for the trip will be indicated in the SM-PROFIBUS-DP error code parameter, Pr **MM.50**.

Table 10.5 shows the possible trip codes that will be displayed on the drive when a problem is detected with the SM-PROFIBUS-DP or when the SM-PROFIBUS-DP initiates a trip.

Table 10.5 Drive trip display codes

Trip Code	Fault	Description
SLX.HF	Hardware fault	The drive has detected that a Solutions Module is present, but is unable to communicate with it.
SLX.tO	Watchdog time-out	Not used by SM-PROFIBUS-DP.
SLX.Er	Error	User trip generated by the SM-PROFIBUS-DP
SLX.nF	Not fitted	This trip will occur if a drive slot is configured for a SM-PROFIBUS-DP, but a different module is fitted in the slot.
SLX.dF	Different module fitted	The slot configuration parameters stored in the drive are not valid SM-PROFIBUS-DP configuration parameters. This trip will also occur when an SM-PROFIBUS-DP is fitted to a previously un-used slot.

NOTE Digidrive SK will show SL.Er without a slot number, Proxdrive and Varmeca 33/34 may indicate "Fbus" and Powerdrive may indicate "Fieldbus loss".

10.10 SM-PROFIBUS-DP error codes

SM-PROFIBUS-DP error code		
Pr MM.50	Default	N/A
	Range	0 to 255
	Access	RO

If the SM-PROFIBUS-DP detects an error during operation, it will force a trip on the drive and update the error code parameter, (Pr **MM.50**). Table 10.6 shows the SM-PROFIBUS-DP error codes.

Table 10.6 SM-PROFIBUS-DP error codes

Error code	Fault	Description
0	No error detected	Indicates that the trip was not caused by the SM-PROFIBUS-DP. It is possible to trip the drive externally via various communication channels.
52	User control word trip	The TRIP bit has been set in the drive control word.
61	Configuration error	An invalid configuration has been detected. Refer to Pr MM.49 for mapping error codes.
65	Network loss	No new messages have been received for the specified network loss trip time.
66	Critical link failure	Internal error
70	FLASH transfer error	The SM-PROFIBUS-DP was unable to upload the configuration parameters from its FLASH memory to the drive.
74	SM-PROFIBUS-DP overtemperature	If the temperature inside the SM-PROFIBUS-DP exceeds 82°C, the SM-PROFIBUS-DP will trip the drive.
80	Inter-option communication error	Communications time-out has occurred, but SM-PROFIBUS-DP is unable to determine the reason for the error.
81	Communication error to slot 1	Unidrive SP Only: Direct communications between the SM-PROFIBUS-DP and an SM-Applications in another slot has timed out.
82	Communication error to slot 2	
83	Communication error to slot 3	
98	Internal watchdog error	Internal error. Cycle power to the drive to reset from this trip. If trip persists, replace the SM-PROFIBUS-DP.
99	Internal software error	

10.11 SM-PROFIBUS-DP serial number

SM-PROFIBUS-DP serial number*		
Pr MM.35	Default	N/A
	Range	32-bit
	Access	RO

The serial number is loaded into the SM-PROFIBUS-DP during manufacture and cannot be changed. It contains the last 6 digits of the 10-digit serial number of the label.

*This is not currently supported on Proxidrive, Varmeca 33/34 and Powerdrive.

11 Advanced Features

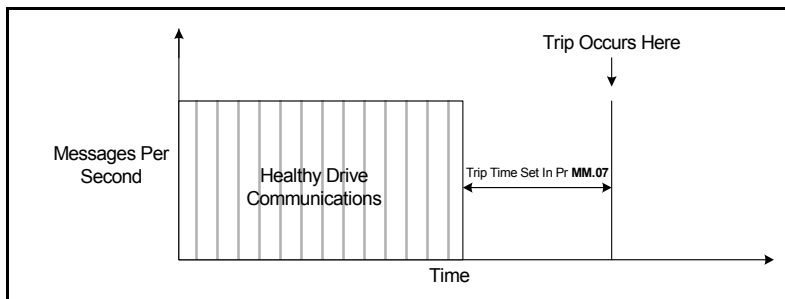
11.1 SM-PROFIBUS-DP network loss trip

SM-PROFIBUS-DP network loss trip time-out		
Pr MM.07	Default	200 (ms)
	Range	0 to 3000 (ms)
	Access	RW

Network loss trip provides a method on the drive to ensure that communication with the master is still present. The SM-PROFIBUS-DP resets an internal timer when a valid message is received from the PROFIBUS-DP network, if a message is not received within the specified period the network loss trip is triggered. When the SM-PROFIBUS-DP forces the trip, the trip display on the drive will be "SLx.Er", where "x" is the slot number where the trip originated. The SM-PROFIBUS-DP error code parameter (Pr MM.50) will show 65 when a network loss trip has occurred.

NOTE The network loss trip is not enabled internally until cyclic data has been detected. This prevents spurious network loss trips while the PROFIBUS-DP master controller is initialising the PROFIBUS-DP network.

Figure 11-1 Network Loss Trip



If the network loss trip time is reduced too far spurious network loss trips may occur due to time-out occurring before the next message has chance to arrive. The network loss trip time should be set such that a minimum of 4 messages will be received in the specified time period under normal operating conditions.



The network loss trip can be disabled by setting Pr MM.07 to 0. In this case, the drive will continue to operate using the last received values. It is the user's responsibility to ensure that adequate safety precautions are taken to prevent damage or injury by disabling the drive in the event of a loss of communications.

11.2 SYNC and FREEZE Mode

The SM-PROFIBUS-DP supports the SYNC and FREEZE modes available with most PROFIBUS-DP master controllers.

Cyclic data is put into groups by the PLC allowing multiple cyclic channels to be suspended and updated using the SYNC and FREEZE commands. Data to the drive is controlled by the SYNC command and data from the drive controlled by the FREEZE command. The SYNC command is used in conjunction with the UNSYNC command and the FREEZE command is used in conjunction with the UNFREEZE command.

The SYNC command will cause a single transfer of the previously grouped data and stop any more data from being received by the drive. The SYNC command may be repeated while in this state to allow another single transfer of data to the drive. Issuing an UNSYNC command will revert the drive to continuous cyclic update of the received data.

The FREEZE command will cause a single transfer of the previously grouped data and stop any more data from being transmitted by the drive. The FREEZE command may be repeated while in this state to allow another single transfer of data from the drive.

Issuing an UNFREEZE command will revert the drive to continuous cyclic update of the transmitted data.

11.3 SM-PROFIBUS-DP data endian format

SM-PROFIBUS-DP data endian format*		
Pr MM.08	Default	OFF
	Range	OFF (0) or ON (1)
	Access	RW

When data is sent over the PROFIBUS-DP network it is transmitted as 8-bit bytes.

Therefore when a 32-bit word or 16-bit word is transmitted it is split into four or two 8-bit bytes. It is important that the receiving node reconstructs the received 8-bit bytes in the correct order to arrive at the 32-bit or 16-bit data value that was originally transmitted, this order is known as the "Data Endian Format".

Data endian format	Pr MM.08	16-bit value	32-bit value	
		Byte order	Word order	Byte order
Big	0	High byte first Low byte second	High word first Low word second	High byte first Mid high byte second Mid low byte third Low byte fourth
Little	1	Low byte first High byte second	Low word first High word second	Low byte first Mid low byte second Mid high byte third High byte fourth

Most PROFIBUS-DP master controllers use big endian format by default, many also support little endian, however some older PLCs do not offer the facility to select big endian format.

NOTE Proxdrive and Varmeca 33/34 do not support this feature.

11.4 Unidrive SP: Inter-option communication timing

When more than one Solutions Module is fitted to a Unidrive SP, communications between modules uses inter-option communications. Inter-option communications is slower than communication directly to the drive parameters.

Typical access times for direct menu access to the drive menu will be in the region of 30µs (per parameter), a similar access using inter-option communications will be in the region of 1ms (per parameter).

When using inter-option communications, if parameters are sequential (within the same menu) then up to 6 parameters may be grouped in to a block, this will take up to 1ms for this block to be transferred. A total of 8 blocks for input and 8 blocks for output are available.

11.5 Cyclic data compression

Cyclic data compression enable		
Pr MM.34	Default	OFF (0)
	Range	OFF (0) or ON (1)
	Access	RW

By default, the SM-PROFIBUS-DP uses 32-bits for each data channel, even if the target parameter in the drive is a 16-bit parameter. This strategy (known as “casting”) ensures that the cyclic data transmitted over the PROFIBUS-DP network is kept aligned with memory locations in 32-bit PLCs. Table 11.1 references the actual sizes of the mapped data with and without data compression.

Table 11.1 Actual data sizes

Parameter Size (bits)	Actual Data Size (bits) Compression on	Actual Data Size (bits) Compression off
1	16	32
8	16	32
16	16	32
32	32	32

Table 11.2 shows an example set of mapping parameters where 5 IN and 5 OUT cyclic data channels are required. With data compression disabled each data channel uses 32-bits (2 data words, so a total of 10 words are required, Pr MM.05 = 10).

Table 11.2 Example cyclic data channel mapping with compression off

Data channel	Data words used	Mapping for slot 3	Setting	Data width	Mapping status
IN channel 0	IN word 0, 1	Pr 17.10	1040	16-bit	Pr 10.40, status word
IN channel 1	IN word 2, 3	Pr 17.11	201	32-bit	Pr 2.01, post-ramp speed ref
IN channel 2	IN word 4, 5	Pr 17.12	420	16-bit	Pr 4.20, motor load as% of rated motor load
IN channel 3	IN word 6, 7	Pr 17.13	1421	16-bit	Pr 14.21, PID feedback
IN channel 4	IN word 8, 9	Pr 17.14	1401	16-bit	Pr 14.01, PID output
OUT channel 0	OUT word 0, 1	Pr 17.20	642	16-bit	Pr 6.42, control word
OUT channel 1	OUT word 2, 3	Pr 17.21	121	32-bit	Pr 1.21, digital speed ref 1
OUT channel 2	OUT word 4, 5	Pr 17.22	211	32-bit	Pr 2.11, acceleration ramp
OUT channel 3	OUT word 6, 7	Pr 17.23	221	32-bit	Pr 2.21, deceleration ramp
OUT channel 4	OUT word 8, 9	Pr 17.24	1420	16-bit	Pr 14.20, PID reference

When data compression is enabled (**MM.34** = ON) a data channel will only use 32 bits if the target drive parameter is a 32 bit parameter. If the target drive parameter is only 1, 8 or 16 bits wide 16 bits will be used for that particular data channel. In the example above the input data will use 6 words and the output data will 8 words. Pr **MM.05** can now be set to 8.

It is advisable to keep 16-bit parameters paired together. This prevents mis-alignment of cyclic data with 32-bit PLC registers when using auto-mapping facilities to configure the PROFIBUS-DP network. By swapping the mappings for input channel 1 with input channel 2 and moving output channel 4 to output channel 1, the data channel structure will appear as shown in Table 11.3.

Table 11.3 compressed cyclic data channel mapping

Data channel	Data words used	Mapping for slot 3	Setting	Data width	Mapping status
IN channel 0	IN word 0	Pr 17.10	1040	16-bit	Pr 10.40 , status word
IN channel 1	IN word 1	Pr 17.11	420	16-bit	Pr 4.20 , motor load as% of rated motor load
IN channel 2	IN word 2, 3	Pr 17.12	201	32-bit	Pr 2.01 , post-ramp speed ref
IN channel 3	IN word 4	Pr 17.13	1421	16-bit	Pr 14.21 , PID feedback
IN channel 4	IN word 5	Pr 17.14	1401	16-bit	Pr 14.01 , PID output
OUT channel 0	OUT word 0	Pr 17.20	642	16-bit	Pr 6.42 , control word
OUT channel 1	OUT word 1	Pr 17.21	1420	16-bit	Pr 14.20 , PID reference
OUT channel 2	OUT word 2, 3	Pr 17.22	121	32-bit	Pr 1.21 , digital speed ref 1
OUT channel 3	OUT word 4, 5	Pr 17.23	211	32-bit	Pr 2.11 , acceleration ramp
OUT channel 4	OUT word 6, 7	Pr 17.24	221	32-bit	Pr 2.21 , deceleration ramp

11.6 Unidrive SP and Digidrive SK: Block mapping

On SM-PROFIBUS-DP there are 10 mapping parameters available for both input and output mappings. If more than 10 mappings are required then block mapping must be used to achieve this. Block mapping is configured by placing ascending parameters (within the same menu) in to consecutive mapping parameters. Consider the example in Table 11.4.

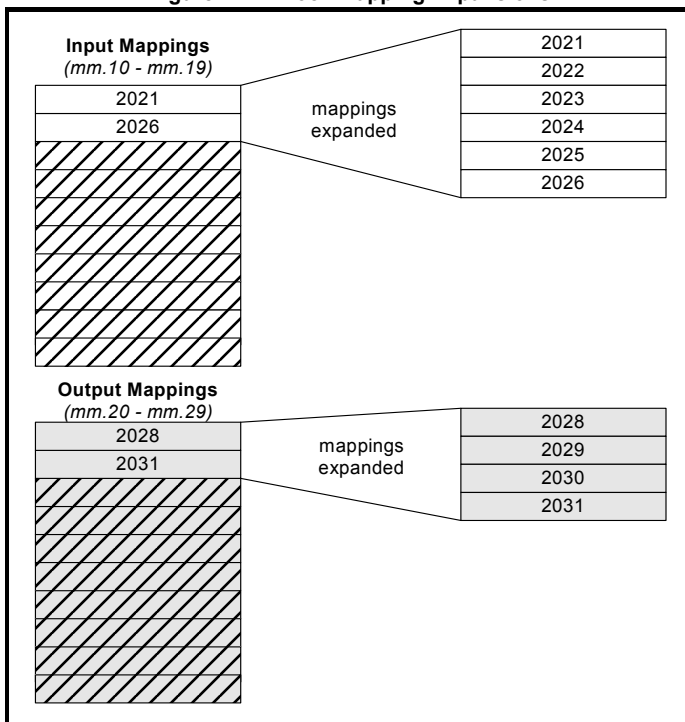
NOTE Block mapping is only available when using Pr **18.xx**, Pr **19.xx**, Pr **20.xx** and on the PLC registers within SM-Applications. **Proxidrive**, **Varmeca 33/34** and **Powerdrive** do not support this feature.

Table 11.4 Block Mapping Example

Mapping parameter	Mapping value	Description
Pr MM.10	2021	Map to 2021 as the start for the block mapping.
Pr MM.11	2026	Map to 2026 as the end for the block mapping.
Pr MM.20	2028	Map to 2028 as the start for the block mapping.
Pr MM.21	2031	Map to 2031 as the end for the block mapping.

This will map parameters Pr **20.21** to Pr **20.26** and Pr **20.28** to Pr **20.31** giving a total of 10 mappings, using only 4 of the mapping parameters as shown in Table 11-2.

Figure 11-2 Block Mapping Expansions



Using block mapping this can be extended to a maximum of 32 input and 32 output mappings when only cyclic data is used. If non-cyclic data is required in addition to cyclic data, this reduces to 31 words input and output for mode 1 non-cyclic data and 28 words input and output for mode 2 non-cyclic data.

Block mapping can also be used when mapping data to the PLC registers in an SM-Applications. If it is required to map to individual parameters within the same menu ensure that the target registers are listed in descending order (see section 11.6.1 *Avoiding block mapping*).

11.6.1 Avoiding block mapping

In the above section block mapping was used to define mapping ranges. In order to avoid this the target parameters should be entered in descending order. This means that SM-PROFIBUS-DP will not recognise a range of parameters and only 2 parameters will be mapped.

Table 11.5 Non-block data mapping example

Mapping parameter	Mapping value	Description
Pr MM.10	2004	Map to Pr 20.04.
Pr MM.11	2001	Map to Pr 20.01.
Pr MM.12 to Pr MM.19	0	Not mapped

Safety Information
Introduction
Mechanical Installation
Electrical Installation
Getting started
GSD Files
Cyclic data
Non-cyclic data
Control and status words
Diagnostics
Advanced Features
PROFIBUS profile
Quick reference
Glossary Of Terms
Index

Table 11.5 Non-block data mapping example

Mapping parameter	Mapping value	Description
Pr MM.20	2035	Map to Pr 20.35
Pr MM.21	2031	Map to Pr 20.31
Pr 17.22 to Pr 17.29	0	Not mapped

Table 11.6 Non-block data structure example

Data word	Target parameter	Data word	Target parameter
IN word 0, 1	Menu Pr 20.04	OUT word 0, 1	Pr 20.35
IN word 2, 3	Menu Pr 20.01	OUT word 2, 3	Pr 20.31
IN word 4-9	Not mapped	OUT word 4-9	Not mapped

11.7 Direct data mapping

Direct data mapping enable		
Pr MM.09	Default	OFF (0)
	Range	OFF (0) or ON (1)
	Access	RW

By default Pr **MM.10** to Pr **MM.29** are used as pointers to specify the source or destination parameters of the mappings. When direct data mapping is enabled Pr **MM.10** to Pr **MM.29** are used as the actual destination and source parameters for output and input data respectively.

When direct data mapping mode is enabled all mapping parameters (Pr **MM.10** to Pr **MM.29**) will be reset to 0. When data compression is OFF the number of data words specified in Pr **MM.05** must be an even number. If an odd number is specified the appropriate parameter will be set to specify the next lowest even number of data words (i.e. a value of 7 in Pr **MM.05** will only handle 6 data words or 3 data channels). This will not however change the value in Pr **MM.05**.

NOTE Non-cyclic data cannot be used when direct data mapping mode is enabled.

Table 11.7 Direct data mapping configurations (data compression OFF)

Pr MM.05	Description
2 to 10	The first 10 IN channels will be written directly to Pr MM.10 to Pr MM.19 , and the first 10 OUT channels will be read directly from Pr MM.20 to Pr MM.29 .
100 to 109 200 to 206 300 to 309	Non-cyclic data cannot be used in direct data mapping mode. The SM-PROFIBUS-DP operating status parameter (Pr MM.49) will indicate -3, and mapping error code (Pr MM.50) will indicate 2.

NOTE With data compression turned off each direct mapping will use 32 bits (2 channels of mappings) on the network. This will revert to 16 bit (1 channel) when turned on. For 32 bit mappings a maximum of 5 in and 5 out mappings may be used with data compression turned on.

Parameters Pr **MM.10** to Pr **MM.29** are all 16-bit parameters, each data channel will be reduced to 16-bits when Data compression is enabled. Hence, a maximum of 10 data words can be specified in Pr **MM.05** or Pr **MM.39** and Pr **MM.40**.

Table 11.8 Direct data mapping configurations (data compression ON)

Pr MM.05	Description
1 to 10	The first 10 OUT channels will be written directly to Pr MM.10 to Pr MM.19 , and the first 10 IN channels will be read directly from Pr MM.20 to Pr MM.29 .
100 to 109 200 to 206 300 to 3098	Non-cyclic data cannot be used in direct data mapping mode. The SM-PROFIBUS-DP operating status parameter (Pr MM.49) will indicate -3, and mapping error code (Pr MM.50) will indicate 2.

11.8 Custom SM-PROFIBUS-DP data formats

SM-PROFIBUS-DP IN cyclic words		
Pr MM.39	Default	4
	Range	0 to 32
	Access	RW

SM-PROFIBUS-DP OUT cyclic words		
Pr MM.40	Default	4
	Range	0 to 32
	Access	RW

If the number of cyclic words is specified using the data format parameter (Pr **MM.05**) the number of input and output cyclic words will be the same (See section 8.2 *Data formats* on page 46). Pr **MM.39** and Pr **MM.40** will always display the current number of input and output cyclic data words being used.

When the data format (Pr **MM.05**) and the PPO Type (Pr **MM.38**) are both set to 0 the number of input and output data words can be specified separately in Pr **MM.39** and Pr **MM.40** respectively. This allows different numbers of input and output cyclic data words to be specified.

CT Single Word or PPO 4 Word non-cyclic data can also be enabled by mapping input and output words to the appropriate source/destination parameter.

Table 11.9 Customised non-cyclic channel mapping

Source/destination parameter	Non-cyclic mode	Description
Pr 61.50	Mode 1 -CT Single Word	1 IN and 1 OUT word must be assigned for use as the CT Single Word non-cyclic channel.
Pr 61.51	Mode 2 - PPO 4 Word	4 IN and 4 OUT words must be assigned for use as the PPO 4 Word non-cyclic channel.

11.9 Restore SM-PROFIBUS-DP defaults

Restore SM-PROFIBUS-DP defaults		
Pr MM.30	Default	OFF (0)
	Range	OFF (0) or ON (1)
	Access	RW

If the host drive is defaulted (see the drive user guide for details) it will also clear the current configuration for the slot SM-PROFIBUS-DP is fitted to. Setting Pr **MM.30** to 1 additionally clears the backup copy of the SM-PROFIBUS-DP configuration stored in the module. See Section 11.10 for more details.

This can be performed as follows:

- Set Pr **MM.30** to 1.
- Unidrive SP - Set Pr **MM.00** to 1233 to restore European defaults (1244 for USA defaults).
Digidrive SK - Set Pr **29** to EUR for European defaults (USA for American defaults).
Proxidrive - Set Pr **65** to EUR defaults (USA for American defaults).
Varmeca 33/34 - Set Pr **65** to YES.
Powerdrive - Set Pr **45**.
- Press the red reset button on the drive (not necessary for Powerdrive).
- PROFIBUS-DP communications will be stopped.
- The host drive will load and store its default parameter values.
- Default parameter values for the SM-PROFIBUS-DP will be loaded in Pr **MM.PP** parameters.
- SM-PROFIBUS-DP default parameter values will be stored in the backup copy in SM-PROFIBUS-DP FLASH memory.
- The SM-PROFIBUS-DP will reset and re-initialise using the default values.

For Proxidrive and Varmeca 33/34 please consult the drives documentations for additional information.

11.10 Storing SM-PROFIBUS-DP parameters (backup)

Store to SM-PROFIBUS-DP FLASH memory		
Pr MM.31	Default	OFF
	Range	OFF (0) to ON (1)
	Access	RW

Option slot parameters are stored in the host drive memory and SM-PROFIBUS-DP will always use these values during initialisation to configure itself. If a new SM-PROFIBUS-DP is fitted to the same slot it will communicate using the same settings as the previous SM-PROFIBUS-DP.

Using Pr **MM.31** it is possible to store the configuration as a backup copy in the SM-PROFIBUS-DP module. This allows the module to contain a backup copy of it's configuration that may be restored using Pr **MM.33** (See Section 11.11). This is of particular use when setting up a module to send to site as a replacement or as a method of keeping a backup copy of the SM-PROFIBUS-DP settings that may be used in the event of a drive failure.

NOTE If the stored values in the drive are for a different type of Solutions Module, the drive will trip with a slot error. The slot configuration parameters will be set to default values for SM-PROFIBUS-DP, but the default values will NOT be stored in the drive.

To store SM-PROFIBUS-DP parameters (not Proxidrive and Varmeca 33/34) in the SM-PROFIBUS-DP FLASH backup copy:

- Set Pr **MM.31** to 1.
 - Set Pr **MM.00** to 1000*.
 - Press the red RESET button*.
- * only for Unidrive SP.

The drive will perform a drive save and additionally copy the settings from the slot menu associated with the SM-PROFIBUS-DP and copy them in the SM-PROFIBUS-DP local FLASH memory.

NOTE Drive parameters are NOT stored in the SM-PROFIBUS-DP. For Proxidrive and Varmeca 33/34 please consult the drives documentations for additional information.

11.11 Restore previous SM-PROFIBUS-DP configuration

Upload from SM-PROFIBUS-DP FLASH memory		
Pr MM.33	Default	OFF (0)
	Range	OFF (0) or ON (1)
	Access	RW

If valid configuration parameters have previously been stored in the SM-PROFIBUS-DP FLASH memory these values can be restored to the host settings for SM-PROFIBUS-DP. When the configuration parameter values have been uploaded to the host drive the SM-PROFIBUS-DP will reset and re-configure using the updated parameter values. This feature allows a pre-configured SM-PROFIBUS-DP to be fitted to a host drive without losing the SM-PROFIBUS-DP configuration. For Proxidrive and Varmeca 33/34 please consult the drives documentations for additional information.

NOTE If the SM-PROFIBUS-DP is unable to upload the configuration parameters to the host drive or configuration parameters have never been stored in the SM-PROFIBUS-DP FLASH memory the drive will trip with a slot error and set the error code (Pr **MM.49**) to 70.

When Pr **MM.33** is set to ON the SM-PROFIBUS-DP will transfer the configuration parameters from its FLASH memory to the host drive over-writing the existing values in the host drive.

The full sequence of events for restoring values from a SM-PROFIBUS-DP fitted in slot MM is as follows:

- Set Pr **MM.33** to ON.
- PROFIBUS-DP communications will be stopped.
- The SM-PROFIBUS-DP will overwrite all Pr **MM.PP** parameters with the values stored in its internal FLASH memory.
- Pr **MM.33** will be reset to OFF.
- The SM-PROFIBUS-DP will reset and re-initialise using the restored values.

NOTE This procedure will **NOT** store the updated host drive parameters and a drive save will be required to update the drive memory. Failure to do this will result in SM-PROFIBUS-DP resorting to previously stored parameters in the drive FLASH following a power down. For Proxidrive and Varmeca 33/34 please consult the drives documentations for additional information.

NOTE

Unidrive SP: The SM-PROFIBUS-DP will restore its configuration parameters to the menu of parameters associated with the slot that it is installed in. If an SM-PROFIBUS-DP is moved from a slot on a drive it can be re-installed in any slot on another drive and will pass its configuration to the drive.

11.12 Menu 60 - Local Solutions access

Menu 60 allows a PROFIBUS-DP master to adjust parameters on an SM-PROFIBUS-DP module independently of the slot number the module is fitted to. The required SM-PROFIBUS-DP node is accessed using its PROFIBUS-DP address in conjunction with menu 60.

To change a parameter on SM-PROFIBUS a non-cyclic message should be sent to the node using menu 60 as the destination.

Table 11.10 Local slot configuration parameter access

Parameter	SM-PROFIBUS-DP in slot 1	SM-PROFIBUS-DP in slot 2*	SM-PROFIBUS-DP in slot 3*
Pr 60.01 - Pr 60.51	Pr 15.01 - Pr 15.51	Pr 16.01 - Pr 16.51	Pr 17.01 - Pr 17.51

* Unidrive SP only



Menu 60 parameters are only accessible from the PROFIBUS-DP network using non-cyclic data access methods. For more details see Section 7.1.

11.13 Unidrive SP: Mapping to SM-Applications parameters

SM-PROFIBUS-DP can read and write data directly to and from internal registers in an SM-Applications module. The mapping parameters are shown in Table 11.11.

Table 11.11 SM-Applications parameters

SM-Applications parameters	Lowest SM-Application Slot*	Direct to slot 1*	Direct to slot 2*	Direct to slot 3*
_Pxx% PLC Registers	Pr 70.xx	Pr 100.xx	Pr 130.xx	Pr 160.xx
_Qxx% PLC Registers	Pr 71.xx	Pr 101.xx	Pr 131.xx	Pr 161.xx
_Rxx% PLC Registers	Pr 72.xx	Pr 102.xx	Pr 132.xx	Pr 162.xx
_Sxx% PLC Registers	Pr 73.xx	Pr 103.xx	Pr 133.xx	Pr 163.xx
_Txx% PLC Registers	Pr 74.xx	Pr 104.xx	Pr 134.xx	Pr 164.xx
_Uxx% PLC Registers	Pr 75.xx	Pr 105.xx	Pr 135.xx	Pr 165.xx
Local Configuration Parameters	Pr 81.xx	Pr 111.xx	Pr 141.xx	Pr 171.xx
Timer Function Parameters	Pr 85.xx	Pr 115.xx	Pr 145.xx	Pr 175.xx
Digital I/O Parameters	Pr 86.xx	Pr 116.xx	Pr 146.xx	Pr 176.xx
Status Parameters	Pr 88.xx	Pr 118.xx	Pr 148.xx	Pr 178.xx
General Parameters	Pr 90.xx	Pr 120.xx	Pr 150.xx	Pr 180.xx
Fast Access Parameters	Pr 91.xx	Pr 121.xx	Pr 151.xx	Pr 181.xx

If the SM-PROFIBUS-DP is configured to map data to Pr 70.xx to Pr 91.xx parameters data will be exchanged with the SM-Applications fitted in the lowest slot number. This method is convenient to use if there is only one SM-Applications fitted to the Unidrive SP as it guarantees that data will always be written to the SM-Applications even if it is moved to a different slot. If two SM-Applications are fitted it is best to map directly to the required slot.



If the number of mappings exceeds 10, block mapping should be used. See Section 11.14 for additional details.

11.13.1 Unidrive SP: Single SM-Applications fitted

Consider a Unidrive SP with the following configuration:

- Slot 1 - Vacant
- Slot 2 - SM-Applications.
- Slot 3 - SM-PROFIBUS-DP.

If a parameter read request comes over PROFIBUS-DP to read Pr **71.08** this will be re-directed to the SM-Applications in the lowest slot number (slot 2) and the value in `_Q08%` will be returned.

If a parameter read request comes over PROFIBUS-DP to read Pr **131.08**, this will be sent straight to the SM-Applications the value in `_Q08%` from slot 2 will be returned.

If a parameter read request comes over PROFIBUS-DP to read Pr **101.08**, this will be sent straight to the SM-Applications in slot 1. As there is no SM-Applications fitted in slot 1 an error message will be returned indicating that the parameter does not exist.

11.13.2 Unidrive SP: Dual SM-Applications fitted

Consider a Unidrive SP with the following configuration:

- Slot 1 - SM-Applications.
- Slot 2 - SM-Applications.
- Slot 3 - SM-PROFIBUS-DP.

If a parameter read request comes over PROFIBUS-DP to read Pr **71.08** this will be re-directed to the SM-Applications in the lowest slot number (slot 1) and the value in `_Q08%` will be returned.

If a parameter read request comes over PROFIBUS-DP to read Pr **131.08** this will be sent straight to the SM-Applications in slot 2 and the value in `_Q08%` will be returned.

If a parameter read request comes over PROFIBUS-DP to read Pr **101.08** this will be sent straight to the SM-Applications in slot 1 and the value in `_Q08%` will be returned.

11.14 Unidrive SP: EVENT task trigger in SM-Applications

Slot	SM-Applications EVENT task trigger		
Menu 15	Pr 61.41	Default	0
Menu 16	Pr 61.42	Range	0 to 4
Menu 17	Pr 61.43	Access	WO

The SM-Applications has four EVENT tasks available for use in DPL programs and the SM-PROFIBUS-DP can be configured to trigger one of these tasks.

An EVENT task is triggered when the trigger parameter is actually written to and the value written (1 to 4) determines which task is actually triggered. The task trigger parameter can be written to using cyclic or non-cyclic data.

Table 11.12 EVENT task trigger parameters

Trigger parameter	Value written to trigger parameter				
	0	1	2	3	4
Pr 61.40*	No action	EVENT*	EVENT1*	EVENT2*	EVENT3*
Pr 61.41	No action	EVENT task in slot 1	EVENT1 task in slot 1	EVENT2 task in slot 1	EVENT3 task in slot 1
Pr 61.42	No action	EVENT task in slot 2	EVENT1 task in slot 2	EVENT2 task in slot 2	EVENT3 task in slot 2
Pr 61.43	No action	EVENT task in slot 3	EVENT1 task in slot 3	EVENT2 task in slot 3	EVENT3 task in slot 3

* The specified EVENT task will be triggered in the SM-Applications fitted in the lowest slot number on the Unidrive SP.

When an EVENT task runs in the SM-Applications the reason code parameter (Pr 90.12 to Pr 90.15 for EVENT to EVENT3 task respectively) will indicate why the event task was triggered. The reason codes are given in Table 11.13. More information can be found in the SM-Applications user guide.

Table 11.13 EVENT task reason codes

Solution Module	Reason code
SM-DeviceNet	1
SM-PROFIBUS-DP	2
SM-CANopen	3
SM-INTERBUS	4
SM-CAN	5

NOTE If cyclic data is used to trigger an EVENT task in an SM-Applications it is best to map the last OUT cyclic data word to the EVENT task trigger parameter. As cyclic data is written to destination parameters in the order in which it is received. This guarantees that all received cyclic data will have been written to the target parameters BEFORE the EVENT task runs in the SM-Applications.

11.15 Multi-master operation

The SM-PROFIBUS-DP can be used on PROFIBUS-DP networks containing 1 or more master controllers. Consult your master controller documentation for information on how to configure a multi-master PROFIBUS-DP network.

NOTE Users must ensure that in networks with multiple master devices that only one master controller is configured to access the SM-PROFIBUS-DP.

11.16 SM-PROFIBUS-DP network compatibility mode

A backwards compatibility mode has been added in SM-PROFIBUS-DP firmware V03.01.00 and later. The previously reserved parameter Pr **mm.41** can now be used to allow either a Unidrive SP or Digidrive SK to mimic either a UMV 4301 (Pr **mm.41** = 1) or a Digidrive SE (Pr **mm.41** = 2), this only applies to the network and not the control/status words and parameter sizes.

SM-PROFIBUS-DP compatibility mode		
Pr MM.41	Default	OFF (0)
	Range	OFF (0) UMV 4301 (1) Digidrive SE (2)
	Access	RW

Using the compatibility mode allows the replacement of drives on a PROFIBUS-DP network, without having to make any changes to the master network configuration, it changes the identity code of the module so that the master believes that a different drive is present for a particular node.

To use this feature, replace either a UMV 4301 or Digidrive SE with either a Unidrive SP or Digidrive SK fitted with an SM-PROFIBUS-DP module. When replacing a UMV 4301 set Pr **mm.41** of the SM-PROFIBUS-DP module to 1, alternatively if replacing a Digidrive SE set Pr **mm.41** to 2. To disable compatibility mode set Pr **mm.41** of the SM-PROFIBUS-DP module to 0.

When using the compatibility mode the Unidrive SP or Digidrive SK that is using either the UMV 4301 or Digidrive SE ident code can only act within the limitations of the drive it is simulating (i.e. 4 x IN words and 4 x OUT words).

NOTE Depending on the application an SM-Applications may be needed on a Unidrive SP to account for any changes between the functionality of the 2 drives (i.e. any changes between the Control and status words).

NOTE Pr **MM.41** is not available on Proxidrive, Varmeca 33/34 and Powerdrive.



This mode only changes the network to emulate the Digidrive SE or UMV 4301 on the network. Changes to the control method and data size differences must still be considered. This mode does **NOT** allow direct replacement.

12 PROFIdrive profile

12.1 Compatibility

The PROFIdrive profile is only available on the Unidrive SP and Digidrive SK drives. At present the Proxidrive, Varmeca 33/34 and Powerdrive do not support this feature.

12.2 What is PROFIdrive profile?

The PROFIdrive profile is a non-vendor specific standard for controlling drives. PROFIdrive allows compatible drives from different vendors to be controlled and monitored using the same control strategy.

For further details of the PROFIdrive profile refer to the official PROFIBUS web-site at www.profibus.com.

NOTE SM-PROFIBUS-DP must be fitted with V1.00.03 firmware or later to support the PROFIdrive profile.

12.3 PPO Types

SM-PROFIBUS-DP supports all five types of process data object (PPO) defined by the PROFIdrive profile. The PROFIdrive profile features 4 specific functions which the SM-PROFIBUS-DP translates in to appropriate drive functions:

- PROFIdrive control word
- Main Setpoint
- PROFIdrive status word
- Main Actual Value

Each PPO mode uses a unique combination of features which are detailed in the following sections.

NOTE Do not confuse PPO 4 mode with Mode 2 - PPO 4 word non-cyclic data, they are not the same.

12.3.1 PPO 1 - mapping structure

IN Data	Function
word 0	Mode 2 non cyclic data (PPO 4-word)
word 1	
word 2	
word 3	
word 4	PROFIdrive status word
word 5	Main Actual Value

OUT Data	Function
word 0	Mode 2 non cyclic data (PPO 4-word)
word 1	
word 2	
word 3	
word 4	PROFIdrive control word
word 5	Main Setpoint

12.3.2 PPO 2 - mapping structure

IN Data	Function
word 0	Mode 2 non cyclic data (PPO 4-word)
word 1	
word 2	
word 3	
word 4	PROFdrive status word
word 5	Main Actual Value
word 6	User configurable mapping using Pr MM.13 to Pr MM.16
word 7	
word 8	
word 9	

OUT Data	Function
word 0	Mode 2 non cyclic data (PPO 4-word)
word 1	
word 2	
word 3	
word 4	PROFdrive control word
word 5	Main Setpoint
word 6	User configurable mapping using Pr MM.23 to Pr MM.26
word 7	
word 8	
word 9	

12.3.3 PPO 3 - mapping structure

IN Data	Function
word 0	PROFdrive status word
word 1	Main Actual Value

OUT Data	Function
word 0	PROFdrive control word
word 1	Main Setpoint

12.3.4 PPO 4 - mapping structure

IN Data	Function
word 0	PROFdrive status word
word 1	Main Actual Value
word 2	User configurable mapping using Pr MM.12 to Pr MM.15
word 3	
word 4	
word 5	

OUT Data	Function
word 0	PROFdrive control word
word 1	Main Setpoint
word 2	User configurable mapping using Pr MM.22 to Pr MM.25
word 3	
word 4	
word 5	

12.3.5 PPO 5 - mapping structure

IN Data	Function
word 0	Mode 2 non cyclic data (PPO 4-word)
word 1	
word 2	
word 3	
word 4	PROFdrive status word
word 5	Main Actual Value
word 6	User configurable mapping using Pr MM.13 to Pr MM.19
word 7	
word 8	
word 9	
word 10	
word 11	
word 12	
word 13	

OUT Data	Function
word 0	Mode 2 non cyclic data (PPO 4-word)
word 1	
word 2	
word 3	
word 4	PROFdrive control word
word 5	Main Setpoint
word 6	User configurable mapping using Pr MM.23 to Pr MM.29
word 7	
word 8	
word 9	
word 10	
word 11	
word 12	
word 13	

12.4 Configuring the Profile

To configure the profile to the required PPO mode follow the instructions below:

- Set Pr **MM.05** to 0 to disable normal data format.
- Set Pr **MM.34** to "ON" to enable data compression.
- Set Pr **MM.38** to the required PPO type number (1 to 5).
- Depending upon the PPO type chosen configure the mapping parameters as required (see Section 12.3).
- Pr **MM.32** set to "ON" to re-initialise SM-PROFIBUS-DP.
- Check Pr **MM.06** is not a value of "-3" (see section 10 for further details).
- Perform a drive save by setting Pr **MM.00** to 1000 and pressing reset.

NOTE

- SM-PROFIBUS-DP Pr **MM.32** will automatically reset to "OFF". Re-initialising will cause the SM-PROFIBUS-DP to temporarily go off-line from the PROFIBUS network.
- Data compression must be turned on to use PPO modes.

NOTE

Once the PROFIdrive profile has been configured the corresponding mapping parameter will display a value of -1 and will be locked; only the user configurable mapping parameters will be editable (see Section 12.3).

If the PROFIdrive profile has been configured after settings have already been made to the cyclic data mapping parameters, the first 2 or 3 mapping parameters (depending upon the PPO type chosen) will be over written and locked out.

12.5 PROFIdrive control word

The PROFIdrive control word consists of 16 control bits some of which are reserved.

Table 12.1 PROFIdrive control word bit functions

Bit	Value	Function	Description
0	1	ON	Ready; Voltage connected to the converter (i.e., main contactor on, if available); the drive goes into the "switch-on inhibit" status. DC bus is charged; the drive is inhibited
	0	OFF2	Shutdown (returns to status "not ready to switch on"); ramps-down along the ramp-function generator ramp or along the DC bus voltage limit. At Speed=0 and Current=0, voltage is disconnected; main contactor off (if available).
1	1	Operating condition	All "OFF 2" commands are withdrawn.
	0	OFF2	Voltage disconnected; inhibit the drive output stage. Main contactor is de-energized (if available), and the drive goes into the "switch-on inhibit" status: Motor coasts down
2	1	Operating condition	All "OFF 3" commands are withdrawn.
	0	OFF3	Fast stop: If necessary, remove operating inhibit, fastest possible deceleration; at Speed=0 or Current=0, inhibit the drive and go to "switch on inhibit" state
3	1	Operation	Enable the drive and accelerate to the specified set point
	0	Inhibit operation	Inhibit the drive. Drive coasts down (ramp-function generator to zero or tracking), and into the "ready" status (refer to control word, bit 0).

Table 12.1 PROFIdrive control word bit functions

Bit	Value	Function	Description
4	1	Operating condition	---
	0	Inhibit ramp function generator	Ramp-function generator output is set to zero. Main contactor remains in, the drive is not isolated from the supply, drive ramps down along the current limit or at the DC bus voltage limit.
5	1	Enable ramp function generator	---
	0	Stop ramp function generator	Freeze the current set point from the ramp-function generator.
6	1	Enable setpoint	Selected value at the ramp-function generator input is switched in.
	0	Inhibit setpoint	Selected value at the ramp-function generator input is set to 0.
7	1	Acknowledge	Group signal is acknowledged at a positive edge; the drive is in the "fault" status until the fault has been removed and then goes into "switch-on inhibit" state.
	0	No meaning	
8	1	INCH1 ON	Prerequisite: Operation is enabled and Main Setpoint=0. The drive accelerates as fast as possible to inching setpoint in the forward direction.
	0	INCH1 OFF	The drive brakes as fast as possible, if "INCH1" was previously ON, and with Speed=0 and Current=0 goes into the status "operation enabled".
9	1	INCH2 ON	Prerequisite: Operation is enabled and Main Setpoint=0. The drive accelerates as fast as possible to inching setpoint in the reverse direction.
	0	INCH2 OFF	The drive brakes as fast as possible, if "INCH2" was previously ON, and with Speed=0 and Current=0 goes into the status "operation enabled".
10	1	Network control	Control from the PROFIBUS-DP network, process (cyclic) data is valid.
	0	No control	Process data invalid. Last received valid process data values are retained.
11-15	0	Reserved	

12.6 PROFIdrive status word

Table 12.3 gives the description of the function of each bit in the PROFIdrive status word.

Table 12.2 PROFIdrive status word bit functions

Bit	Value	Function	Description
0	1	Ready to switch on	Power supply switched on, the drive is inhibited.
	0	Not ready to switch on	---
1	1	Ready	Refer to Control word bit 0.
	0	Not ready	No action.
2	1	Operating condition	Refer to Control word bit 3.
	0	---	---

Table 12.2 PROFIdrive status word bit functions

Bit	Value	Function	Description
3	1	Fault	Drive faulted, and thus not operational, goes into the switch-on inhibit status after acknowledgment and the fault has been removed. Fault numbers in the fault parameter.
	0	Fault free	---
4	1	No OFF2	---
	0	OFF2	"OFF2" command present.
5	1	No OFF3	---
	0	OFF3	"OFF2" command Present.
6	1	Switch-on inhibit	Re-close only with "OFF1" and then "ON".
	0	No switch-on inhibit	---
7	1	Alarm	Drive still operational: alarm in service parameter, no acknowledge.
	0	No alarm	Alarm not preset or alarm has disappeared again.
8	0	Reserved	
9	1	Control requested	The automation system is requested to accept control.
	0	Local operation	Control only possible on the device itself.
10	1	Speed or Current reached	Actual value = comparison value (setpoint), set via the parameter number.
	0	Below set Speed or Current	---
11-15	0	Reserved	

12.7 Main setpoint

Main setpoint is the speed reference defined in the PROFIdrive profile.

It is scaled such that -32768 to +32767 is -200% to +200% of the maximum speed clamp (Pr 1.06). The converted value is then written to drive digital speed reference (Pr 1.21).

The formula used for this conversion is:

$$\text{Pr 1.21} = \frac{\text{Main Setpoint} \times \text{Max Speed Clamp}}{16384}$$

Example 1 - Open loop drive

The drive maximum speed clamp (Pr 1.06) = 50Hz

The main setpoint value sent from the master to the drive is 13107

Giving:

$$\text{Pr 1.21} = \frac{13107 \times 50}{16384} = 40,0\text{Hz}$$

Example 2 - Closed loop / servo drive

The drive maximum speed clamp (Pr 1.06) = 1500 rpm

The main setpoint sent from the master to the drive is 10923

Giving:

$$\text{Pr 1.21} = \frac{10923 \times 1500}{16384} = 1000\text{rpm}$$

12.8 Main Actual Value

Main Actual Value is the speed feedback reference defined in the PROFIdrive profile.

It is scaled such that -32768 to +32767 is -200% to +200% of the maximum speed clamp (Pr 1.06). The converted value is derived from:

- Pr 2.01 for open loop drive operation.
- Pr 3.02 closed loop or servo drive operating modes.

The formula used for this conversion is:

$$\text{Main Actual Value} = \frac{\text{SF} \times 16384}{\text{Max Speed Clamp}}$$

Where SF is the speed feedback parameter, i.e. Pr 2.01 or Pr 3.02 depending upon the drive operating mode.

Example 1 - Open loop drive

The drive maximum speed clamp (Pr 1.06) = 50Hz

The drive post ramp reference (Pr 2.01) = 35 Hz

Giving:

$$\text{MAV} = \frac{35 \times 16384}{50} = 11469$$

Example 2 - Closed loop / servo drive

The drive maximum speed clamp (Pr 1.06) = 1500 rpm

The main setpoint sent from the master to the drive is 10923

Giving:

$$\text{MAV} = \frac{1250 \times 16384}{3000} = 1000\text{rpm}$$

12.9 PROFIdrive state diagram

The following pages contain the state machine diagram and state descriptions for the PROFIdrive control and status words. Figure 12-1 shows how the current, next and previous states are determined.

Refer to section 12.5 and section 12.6 for full details about the PROFIdrive control and status words.

Safety Information
Introduction
Mechanical Installation
Electrical Installation
Getting started
GSD Files
Cyclic data
Non-cyclic data
Control and status words
Diagnostics
Advanced Features
PROFIdrive profile
Quick reference
Glossary Of Terms
Index

Figure 12-1 PROFIdrive State Machine Diagram

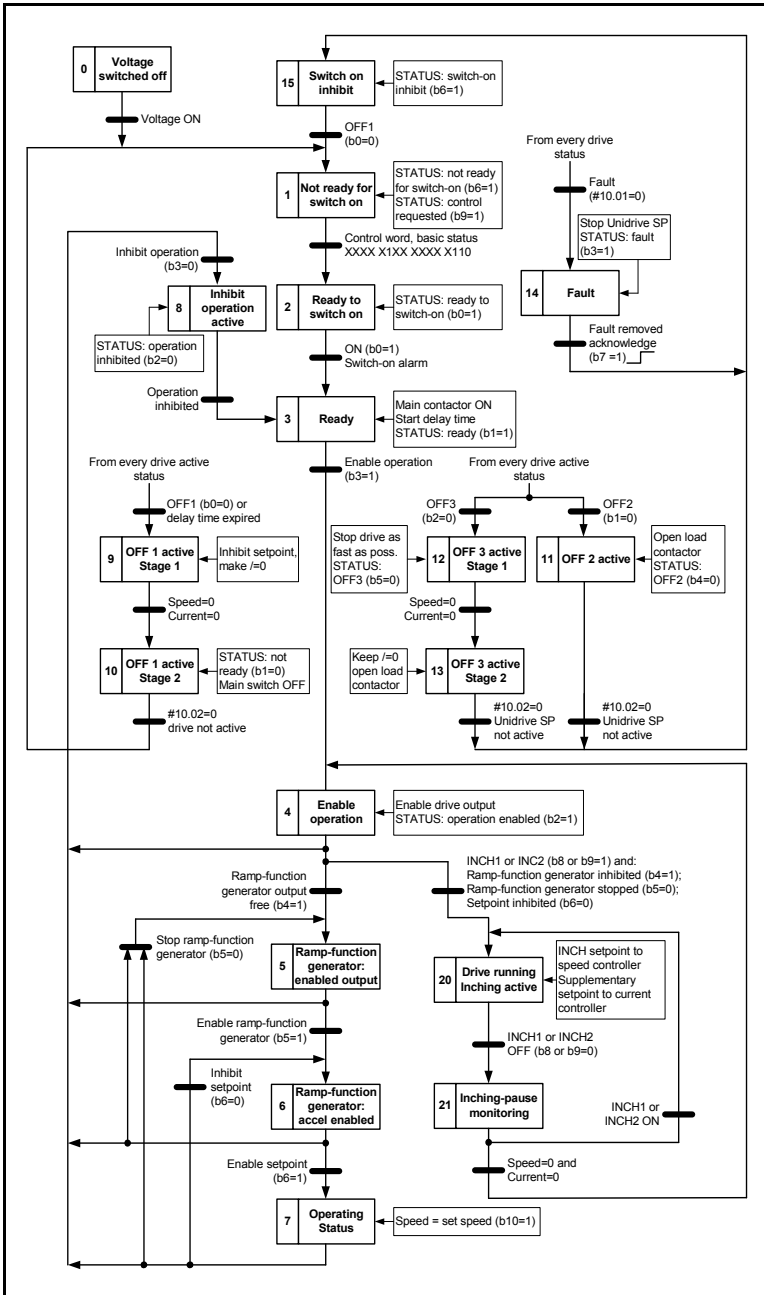


Table 12.3 PROFIdrive State Machine Control States In Detail

State	Title	Control word update (Pr 6.42)	Other actions
0	Voltage switched off	None	---
1	Not ready for switch on	None	---
2	Ready to switch on	AUTO set to 1 All other bits reset to 0	Pr 6.43 set to 1
3	Ready	ENABLE, JOG and RUN reset to 0	Read and cache Pr 1.06 for speed reference calculations
4	Enable operation	ENABLE set to 1 JOG and RUN reset to 0	Select STOP RAMP mode (Set Pr 6.01 =1) Set preset ref 1 to 0 (Set Pr 1.21 =0) Select preset ref (Set Pr 1.14 =3) Select preset ref 1 (Set Pr 1.15 =1) Disable ramps (Set Pr 2.02 =0)
5	Ramp-function generator enabled output	ENABLE and RUN set to 1	Set preset ref 1 to 0 (Set Pr 1.21 =0) Enable ramps (Set Pr 2.02 =1)
6	Ramp-function generator acceleration enabled	ENABLE and RUN set to 1	Set preset ref 1 to 0 (Set Pr 1.21 =0) Set Ramp Hold (Set Pr 2.03 =1)
7	Operating status	ENABLE and RUN set to 1	Convert MAIN SETPOINT to Hz or rpm and set Pr 1.21 Release ramp hold (Set Pr 2.03 = 0)
8	Inhibit operation active	ENABLE, JOG and RUN reset to 0	Select STOP RAMP mode (Set Pr 6.01 =1)
9	OFF 1 active stage 1	ENABLE set to 1 JOG and RUN reset to 0	Select STOP RAMP mode (Set Pr 6.01 =1)
10	OFF 1 active stage 2	ENABLE reset to 0	
11	OFF 2 active	ENABLE reset to 0	Select COAST mode (Set Pr 6.01 =0)
12	OFF 3 active stage 1	ENABLE set to 1 JOG and RUN reset to 0	Select RAMP WITH DC INJECTION mode (Set Pr 6.01 =2)
13	OFF 3 active stage 2	ENABLE reset to 0	
14	Fault	JOG and RUN reset to 0	Select STOP RAMP mode (Set Pr 6.01 =1) Set RESET to 1 when ACK bit is set to 1
15	Switch on inhibit	No change	---
20	Drive running, inching active	JOG and RUN set to 1 FWD REV is set to 1 if INCH2 (b9) is set to 1, reset to 0 if INCH1 (b8) is set to 1	---
21	Inching-pause monitoring	JOG, FWD REV and RUN reset to 0	---

Safety Information
Introduction
Mechanical Installation
Electrical Installation
Getting started
GSD Files
Cyclic data
Non-cyclic data
Control and status words
Diagnostics
Advanced Features
PROFIdrive profile
Quick reference
Glossary Of Terms
Index

13 Quick reference

13.1 Complete parameter reference

Table 13.1 lists all the SM-PROFIBUS-DP set-up parameters that are required to configure the module.

Table 13.1 SM-PROFIBUS-DP parameter reference

Menu	Default	Cross reference	Description
Pr MM.01	----	Section 10.2 on page 57	Module ID code.
Pr MM.02	----	Section 10.3 on page 57	Major firmware version.
Pr MM.03	0	Section 5.3 on page 23	Node address.
Pr MM.04	----	Section 5.4 on page 23	Data rate.
Pr MM.05	4	Section 8.2 on page 46	Data format.
Pr MM.06	----	Section 10.7 on page 58	Operating status.
Pr MM.07	200	Section 11.1 on page 63	Network loss trip time-out.
Pr MM.08*	Big (0)	Section 11.3 on page 64	Endian format select.
Pr MM.09	OFF (0)	Section 11.7 on page 68	Direct data mapping enable
Pr MM.10	1040	Section 8.2 on page 46	IN cyclic mapping 0.
Pr MM.11	201		IN cyclic mapping 1.
Pr MM.12	0		IN cyclic mapping 2.
Pr MM.13	0		IN cyclic mapping 3.
Pr MM.14	0		IN cyclic mapping 4.
Pr MM.15	0		IN cyclic mapping 5.
Pr MM.16	0		IN cyclic mapping 6.
Pr MM.17	0		IN cyclic mapping 7.
Pr MM.18	0		IN cyclic mapping 8.
Pr MM.19	0		IN cyclic mapping 9.
Pr MM.20	642	Section 8.2 on page 46	OUT cyclic mapping 0.
Pr MM.21	121		OUT cyclic mapping 1.
Pr MM.22	0		OUT cyclic mapping 2.
Pr MM.23	0		OUT cyclic mapping 3.
Pr MM.24	0		OUT cyclic mapping 4.
Pr MM.25	0		OUT cyclic mapping 5.
Pr MM.26	0		OUT cyclic mapping 6.
Pr MM.27	0		OUT cyclic mapping 7.
Pr MM.28	0		OUT cyclic mapping 8.
Pr MM.29	0		OUT cyclic mapping 9.
Pr MM.30	0	Section 11.9 on page 69	Restore SM-PROFIBUS-DP defaults.

* Not available on Proxidrive and Varmeca 33/34.

Table 13.1 SM-PROFIBUS-DP parameter reference

Menu	Default	Cross reference	Description
Pr MM.31	0	Section 11.10 on page 70	Store to SM-PROFIBUS-DP FLASH memory.
Pr MM.32	0	Section 5.7 on page 25	Re-initialise SM-PROFIBUS-DP. This will automatically change back to 0 after re-initialisation.
Pr MM.33	0	Section 11.11 on page 71	Restore previous configuration from SM-PROFIBUS-DP FLASH memory.
Pr MM.34	0	Section 11.5 on page 65	Cyclic data compression enable.
Pr MM.35**	----	Section 10.11 on page 62	Serial Number.
Pr MM.36	0	----	Reserved.
Pr MM.37	0		
Pr MM.38**	0	Section 12.4 on page 78	PPO selected.
Pr MM.39	5	Section 11.8 on page 69	IN cyclic data words.
Pr MM.40	5		OUT cyclic data words.
Pr MM.41**	0	Section 11.16 on page 75	SM-PROFIBUS-DP Network compatibility mode
Pr MM.42	0	----	Reserved.
Pr MM.43	0		
Pr MM.44	0		
Pr MM.45	0		
Pr MM.46	0		
Pr MM.47	0		
Pr MM.48	0		
Pr MM.49	----	Section 10.8 on page 59	Mapping status.
Pr MM.50	----	Section 10.10 on page 62	SM-PROFIBUS-DP error codes.
Pr MM.51	----	Section 10.3 on page 57	Minor firmware version.

** These parameters are not applicable on Proxidrive, Varmeca 33/34 and Powerdrive.

Safety Information
Introduction
Mechanical Installation
Electrical Installation
Getting started
GSD Files
Cyclic data
Non-cyclic data
Control and status words
Diagnostics
Advanced Features
PROFIBUS profile
Quick reference
Glossary Of Terms
Index

Table 13.2 SM-PROFIBUS-DP virtual parameter reference

Parameter	Default	Cross reference	Description
Pr 61.01	----	----	Parameter 1.00 Shortcut.
Pr 61.20*	----	----	Course and turns position feedback.
Pr 61.21*	----	----	Turns and fine position feedback.
Pr 61.35	----	Section 10.11 on page 62	Serial number.
Pr 61.40*	0	Section 11.14 on page 73	SM-Applications event task trigger (lowest slot).
Pr 61.41*	0		SM-Applications event task trigger (slot 1).
Pr 61.42*	0		SM-Applications event task trigger (slot 2)*.
Pr 61.43*	0		SM-Applications event task trigger (slot 3)*.
Pr 61.50	0	Section 7.3 on page 29	CT single word (mode 1) non-cyclic data mapping parameter.
Pr 61.51	0	Section 7.5.1 on page 39	PPO 4 Word (mode 2) non-cyclic data mapping parameter.

* only applicable to Unidrive-SP.

NOTE Only Pr 61.35 in this table is applicable to Powerdrive.

NOTE Some drive firmware versions will hide un-used or reserved parameters.

14 Glossary Of Terms

Address: This is the unique network identification given to a networked device to allow communication on a network. When a device sends or receives data the address is used to determine the source and the destination of the message.

Bit: A binary digit, this may have the value of 1 or 0.

Block mapping: A method of mapping a range of consecutive parameters using only two ascending parameters. This means that by using two mapping parameters up to 32 consecutive mappings may be made. See section 11.14 *Unidrive SP: EVENT task trigger in SM-Applications* on page 73 for more information.

Byte: A collection of 8 binary digits that collectively store a value. This may be signed or unsigned.

Casting: The process of changing between data sizes without changing the value represented, e.g. changing from 16 bit to 32 bit.

Compression: By default SM-PROFIBUS-DP transmits values as 32 bits on the network. It is possible by using compression to reduce the number of bits transmitted when sending 16 bit (or smaller) values on the network to 16 bit (32 bit values will still be transmitted as 32 bit values). This has the advantage of reducing the volume of traffic on the network and allowing more parameters to be mapped within SM-PROFIBUS-DP.

Consistency: Describes how data is transmitted between nodes on the network. If data is consistent it is transmitted from node to node as a single entity. Thus preventing data corruption where multiple bytes are transmitted or received individually.

Control word: A collection of binary digits that are used to control the drive. Features typically include directional controls, run controls and other similar functions.

CT Single Word non-cyclic: *see mode 1 non-cyclic in this section.*

Cyclic data: This consists of values that are sent at regular or cyclic intervals across the network. A typical use of cyclic data would be the transmission of a speed reference or a control word.

Data format: Determines the quantity and function of the data sent and received across the network.

Data rate: Determines the communication speed of the network, the higher the value the more data can be sent across the network in the same time period.

Device: A piece of equipment connected to a network, this may be any type of equipment including repeaters, hubs, masters or slaves.

Direct data mapping: Data is sent directly to the mapping parameters in the drive rather than the parameters redirecting the data to another parameter.

Double word: A 32 bit word, this may be signed or unsigned.

DPV 0,1,2: This describes the version of PROFIBUS-DP used.

Earthing: Describes the electrical safety or screening connections for the module.

Endian format: When a value uses more than 8 bits to represent it's value it needs to be sent in sets of 8 bits (bytes) across the network, the endian format determines the order the bytes that constitute the whole value are transmitted.

Event task: A special way to use a message or change of state to trigger a software routine.

FREEZE: A method of preventing input state changes from being sent to the master, until a FREEZE signal is sent, this is used in conjunction with UNFREEZE.

Groups: Groups are used with the SYNC and FREEZE commands. A group defines which nodes respond to a specific SYNC or FREEZE command.

GSD file: A file that defines the properties of a node. The file contains information describing the features available on the device.

IN data: Data that is returned from a slave device to the PROFIBUS master.

Long word: A 32bit data word that may be signed or unsigned.

Network Loss Trip: A method to determine when a node has lost contact with the master.

Node: A device on the network. This may be either a device such as a drive or part of the network such as a repeater.

Non-Cyclic Data: Data that is requested or sent by the master as required. This is not sent on a regular basis and generally allows access to any parameter. This is useful for occasional changes or configuration purposes.

Main actual value: This gives feedback on the running speed of the drive when using the PROFdrive profile.

Main set point: The value used to determine the speed of the drive when using the PROFdrive profile.

Mapping: The process of linking PROFIBUS values to parameters within the drive.

Master: The controlling device on the network, generally this will include programming features.

Mode 1 non-cyclic: A method of sending non-cyclic data using a single word.

Mode 2 non-cyclic: A method of sending non-cyclic data using 4 words.

Safety Information
Introduction
Mechanical Installation
Electrical Installation
Getting started
GSD Files
Cyclic data
Non-cyclic data
Control and status words
Diagnostics
Advanced Features
PROFdrive profile
Quick reference
Glossary of Terms
Index

PROFdrive profile: A standardised method of controlling drives that is independent of the manufacturer.

Poll rate: The rate at which cyclic data is sent and received on the network.

PPO Modes: Different operational modes within the PROFdrive profile. PPO 4 mode is not the same as mode 2 - PPO 4 Word mode non-cyclic data.

PPO 4 Word non-cyclic mode: see Mode 2 non-cyclic in this section. This is not the same as PPO4 mode.

Response ID: The response code of the message received when using PPO4 word non-cyclic communication.

Scan rate: See Poll rate in this section.

Screening: A connection to provide additional immunity to noise used on a network cable.

Segment: An electrically separate part of the network. Each segment requires correct termination to ensure reliable operation. Due to electrical limitations the maximum number of devices on a segment is limited to 32.

Slave: A device on the PROFIBUS network such as a drive or sensor. A slave device will only respond to messages from a master.

Status word: A value that denotes the status of the drive. Each bit within the word will have a specific meaning.

SYNC: A method of preventing output state changes from being actioned by the slave, until a SYNC signal is sent, this is used in conjunction with UNSYNC.

Task ID: The code used to describe the purpose of a message using PPO 4 word non-cyclic communication.

Telegram: A message used within mode 1 non-cyclic data communication. This term is some times used to represent a generic message on the network.

Termination: This is used at both ends of a network segment to prevent reflections and reduce noise. On PROFIBUS termination is provided by a powered network of resistors.

UNSYNC: Used to restore outputs in a slave to normal operation following a SYNC command.

UNFREEZE: Used to restore inputs in a slave to normal operation following a FREEZE command.

Watchdog: A method used to determine if a communication system is healthy. A typical watchdog scheme uses a handshaking system to check both the master and slave are participating in communications.

Word: A collection of 16 binary digits.

Index

Numerics

16-bit parameter access	38
2 cyclic channels only	48
3 cyclic channels	48
5 cyclic channels	48
8 cyclic channels with PPO 4 word	49

A

Abort CT single word	38
Above set speed	53
Actual data sizes	65
At speed	53
Auxiliary	11
Auxiliary supply	11
Avoiding block mapping	67

B

Backup	70
Backup supply	11
Below set speed	53
Block mapping	66
Byte order	64

C

Cable	14
Cable shield connections	15, 16, 17, 18
Cautions	6
Complete parameter reference	84
Compliance	7
Configuration error	24
Configuring the profile	78
Connections	13
Connectors	13
Consistency	26
Contents	3
Control word	51
Control word bit functions	52
CT single word protocol	30
Current limit	53
Custom data formats	69
Cyclic data	46, 64

D

Data compression	65
Data endian format	64
Data format	23, 58
Data mapping	24
Data mapping errors	49
Data rate	23, 57
Data rates	23

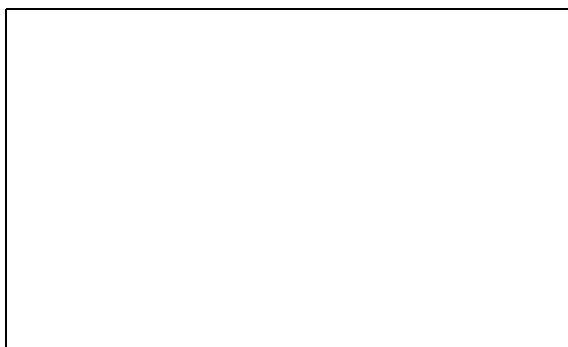
Device loading	20
Diagnostic flow chart	56
Diagnostics	55
Direct data mapping	68
Disabling cyclic data channels	50
Disabling mappings	50
Drive active	53
D-type	13
D-Type connections	13
D-Type pin out	13
Dual SM-Applications	73
Dynamic brake active	54
E	
Electrical installation	13
Electrical safety	6
Endian format	64
Environmental limits	7
Error	59
Error codes	62
Event task reason codes	74
Event task trigger	73
F	
Firmware version	57
Formats	46
FREEZE	64
G	
General information	2
Getting started	21
Glossary of terms	87
GSD	26
H	
Hardware enable	51
I	
ID code	57
L	
Local solutions access	72
M	
Mapping conflicts	49
Mapping error codes	59
Mapping errors	49
Mapping parameters	47
Mapping status	59
Mapping to SM-Applications	72
Menu 60	69, 72
Mode 1	26, 29
Mode 2	26, 39
Multi-master	74

Safety Information
Introduction
Mechanical Installation
Electrical Installation
Getting started
GSD Files
Cyclic data
Non-cyclic data
Control and status words
Diagnostics
Advanced Features
PROFIBUS profile
Quick reference
Glossary Of Terms
Index

N	
Network length	20
Network loss trip	63
Network termination	19
Node address	23, 57
Non-cyclic data	28, 45
Non-cyclic data modes	28
Non-cyclic mode	28
O	
Operating status	24, 58
Operating status codes	24
Overview	10
P	
Parameter reference	84
Parameters - adjusting	7
PPO 1	76
PPO 2	77
PPO 3	77
PPO 4	77
PPO 4 word	26
PPO 4 word error codes	41
PPO 4 word mode	38
PPO 4 word read	42
PPO 4 word write	44
PPO 5	77
PPO types	76
Problems	55
PROFIdrive control word	78
PROFIdrive profile	76
PROFIdrive state diagram	81
PROFIdrive status word	79
Q	
Quick reference	84
R	
Reason codes	74
Regenerating	54
Re-initialise	25
Response ID codes	41
Restore configuration	71
Restore defaults	69
Running at or below minimum speed	53
S	
Safety of personnel	6
Saving	25
SECURE DISABLE	6
Serial number	62
Set-up flow chart	22
Shield	15, 16
Single SM-Applications	73

Single word	26
Single word mode	29
Single word non-cyclic data	29
SM-LON module - front view	12
Solutions Module identification	11
Specification	10
Spurs	20
Status codes	24
Status word	53
Status word bit functions	53
Storing parameters	70
SYNC	64
T	
Task id codes	40
Task trigger	73
Telegrams	32
Terminal descriptions	13
Termination	19
Trip display codes	61
U	
UNFREEZE	64
Unidrive SP	10
Unidrive SP control word	51
UNSYNC	64
V	
Virtual parameter reference	86
W	
Warnings	6
Word order	64
Z	
Zero speed	53

Safety Information
Introduction
Mechanical Installation
Electrical Installation
Getting started
GSD Files
Cyclic data
Non-cyclic data
Control and status words
Diagnostics
Advanced Features
PROFdrive profile
Quick reference
Glossary Of Terms
Index



MOTEURS LEROY-SOMER 16015 ANGOULÊME CEDEX - FRANCE

338 567 258 RCS ANGOULÊME
S.A. au capital de 62 779 000 €

www.leroy-somer.com