

LSAH 44.3

Low Voltage Alternator - 4 pole Installation and maintenance

LEROY-SOMER™

Nidec
All for dreams

LSAH 44.3

Low Voltage Alternator - 4 pole

**This manual concerns the alternator which you have just purchased.
We wish to draw your attention to the contents of this maintenance manual.**

SAFETY MEASURES

Before using your machine for the first time, it is important to read the whole of this installation and maintenance manual.

All necessary operations and interventions on this machine must be performed by a qualified technician.

Our technical support service will be pleased to provide any additional information you may require.

The various operations described in this manual are accompanied by recommendations or symbols to alert the user to potential risks of accidents. It is vital that you understand and take notice of the following warning symbols.

WARNING

Warning symbol for an operation capable of damaging or destroying the machine or surrounding equipment.



Warning symbol for general danger to personnel.



Warning symbol for electrical danger to personnel.

SAFETY INSTRUCTIONS

Sets of self-adhesive stickers depicting the various warning symbols are included with this maintenance manual.

They should be positioned as shown in the drawing below once the machine has been fully installed.

WARNING

The alternators must not be put into service until the machines in which they are to be incorporated have been declared compliant with EC Directives plus any other directives that may be applicable.

This manual is to be given to the end user.

The range of electric alternators and their derivatives, manufactured by us or on our behalf, comply with the technical requirements of the customs Union directives.

The alternator is a sub-assembly delivered without a system of protection against short-circuits. The protection must be provided by the circuit-breaker of the generator, sized to interrupt the fault current.

© 2024 Moteurs Leroy-Somer SAS
Share Capital: 32,239,235 €, RCS Angoulême
338 567 258.

We reserve the right to modify the characteristics of this product at any time in order to incorporate the latest technological developments. The information contained in this document may therefore be changed without notice.

This document may not be reproduced in any form without prior authorization.

All brands and models have been registered and patents applied for.

LSAH 44.3

Low Voltage Alternator - 4 pole

CONTENTS

1 - RECEIPT	4
1.1 - Standards and safety measures	4
1.2 - Inspection	4
1.3 - Identification	4
1.4 - Storage	4
1.5 - Applications	4
1.6 - Usage restrictions	4
2 - TECHNICAL CHARACTERISTICS	5
2.1 - Electrical characteristics	5
2.2 - Mechanical characteristics	5
2.3 - Cooling circuit characteristics	5
3 - INSTALLATION	6
3.1 - Assembly	6
3.2 - Checks prior to first use	6
3.3 - Terminal connection diagrams	7
3.4 - Commissioning	8
3.5 - Setting up	8
4 - SERVICING - MAINTENANCE	9
4.1 - Safety measures	9
4.2 - Routine maintenance	9
4.3 - Bearings	10
4.4 - Cooling circuit	10
4.5 - Mechanical defects	10
4.6 - Electrical faults	11
4.7 - Dismantling, reassembly	13
4.8 - Table of characteristics	15
5 - SPARE PARTS	16
5.1 - First maintenance parts	16
5.2 - Technical support service	16
5.3 - Accessories	16
5.4 - Exploded views, parts list and tightening torque	17

Disposal and recycling instructions

EC Declaration

LSAH 44.3

Low Voltage Alternator - 4 pole

1 - RECEIPT

1.1 - Standards and safety measures

Our alternators comply with most international standards.

See the EC Declaration of Incorporation on the last page.

1.2 - Inspection

On receipt of your alternator, check that it has not suffered any damage in transit. If there are obvious signs of knocks, contact the transporter (you may be able to claim on their insurance).

1.3 - Identification

The alternator is identified by means of a nameplate fixed on the machine (see drawing).

Make sure that the nameplate on the machine conforms to your order.

So that you can identify your alternator quickly and accurately, we suggest you fill in its specifications on the nameplate below.

1.4 - Storage

Prior to commissioning, machines should be stored:

- away from humidity (< 90%); after a long period of storage, check the machine insulation (see sections 3.2 and 4.6). To prevent the bearings from becoming marked, do not store in an environment with significant vibration.

1.5 - Applications

This alternator is mainly designed to produce electricity in the context of applications involving the use of generators.

1.6 - Usage restrictions

Use of the machine is restricted to operating conditions (environment, speed, voltage, power, etc) compatible with the characteristics indicated on the nameplate.

Nidec LEROY-SOMER™

Model	LSAH		IC Code: IC7A1W7	Frequency	Hz						
S/N		Date		Speed	min ⁻¹						
Enclosure		Protection		Voltage	V						
Th. Class		Altitude		Phase							
Weight		PF		Connection							
AVR		Excitation		Cont. BR	kVA						
Excitation values	No Load	Full Load		75°C	kW						
					A						
DE bearing				Stand by PR	kVA						
NDE bearing					kW						
					A						



MOTEURS LEROY-SOMER
2 BD MARCELLIN LEROY
16000 ANGOULÊME - FRANCE

www.leroy-somer.com

Made in Europe
by Leroy-Somer



Scan the code or go to
GEN.LS1.DO
to check product data

LSA.000-1-448 a



IEC 60034 - 1 & 5
ISO 8528 - 3
NEMA MG 1 32 & 33

LSAH 44.3

Low Voltage Alternator - 4 pole

2 - TECHNICAL CHARACTERISTICS

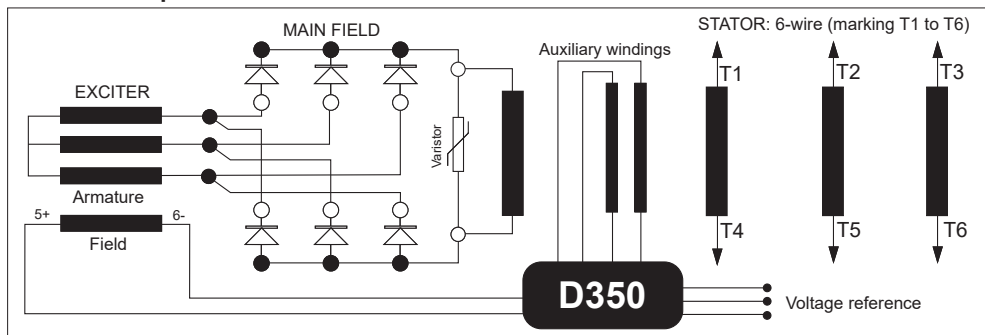
2.1 - Electrical characteristics

This alternator is a machine without sliprings or revolving armature brushes, wound as "2/3 pitch", 6-wire, with class H insulation and a field excitation system available in AREP version (see diagram and AVR manual).

• Electrical options

- Stator temperature detection sensors
- Space heaters
- R791 interference suppression

• AREP three-phase 6-wire



2.2 - Mechanical characteristics

- Steel frame
- Cast iron end shields
- Ball bearings greasable
- Mounting arrangement: single bearing with standard feet and SAE flanges/coupling discs, two-bearing with SAE flange and standard cylindrical shaft extension
- Enclosed machine cooled by heat transfer fluid
- Degree of protection: IP 44

2.3 - Cooling circuit characteristics

- Cooling method: IC7A1W7
- Type of fluid: water + additive
- Operating temperature: 70°C (±5°C)
- Permitted additives: Glycol-type antifreeze
- Maximum level of additives: 50%
- Operating pressure: 3 bar (8 bar maximum)
- pH of water: 7 < pH < 8

Glycol (or Ethylene glycol) type antifreeze is a hazardous product which is harmful to health.



SGH07



SGH08



SIMDUT D2A



NFPA 704

Risks:

- **H302:** Harmful if swallowed
- **H373:** May cause damage to organs through prolonged or repeated exposure

Precautions:

- **P260:** Do not breathe fumes/mist/vapours
- **P301:** If swallowed:
- **P312:** Call a poison centre or doctor/physician if you feel unwell
- **P330:** Rinse mouth



Never use methanol or isopropanol-type antifreeze.

LSAH 44.3

Low Voltage Alternator - 4 pole

3 - INSTALLATION

Personnel undertaking the various operations indicated in this section must wear personal protective equipment appropriate for mechanical and electrical hazards.

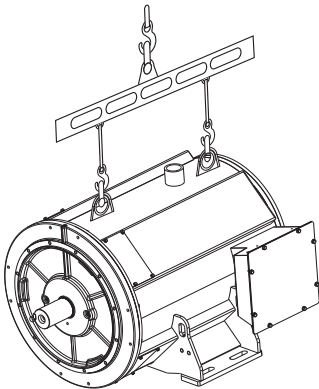
3.1 - Assembly



All mechanical handling operations must be undertaken using suitable equipment and the machine must be horizontal. Check how much the machine weighs before choosing the lifting tool. During this operation, do not allow anyone to stand under the load.

• Handling

The generously-sized lifting eyes are for handling the alternator only. They must not be used to lift the genset. The choice of lifting hooks or handles should be determined by the shape of the lifting eyes. Choose a lifting system which respects the integrity and the environment of the machine.



• Single-bearing coupling

Before coupling, check the compatibility between the alternator and the engine by performing:

- undertaking a torsional analysis of the transmission (alternators data are available on request),
- checking the dimensions of the flywheel and its housing, the flange, coupling discs and offset.

WARNING

When coupling the alternator to the prime mover, do not use the fan to turn the alternator or rotor.

The holes of the coupling discs should be aligned with the flywheel holes by cranking the engine.

Make sure the machine is securely bedded in position during coupling.

Check that there is lateral play on the crankshaft.

• Double-bearing coupling

- Semi-flexible coupling

Careful alignment of the machines is recommended, checking that the lack of concentricity and parallelism of both parts of the coupling do not exceed 0.1 mm.

This alternator has been balanced with a 1/2 key.

• Location

The location where the alternator is placed must be ventilated to ensure that the ambient temperature cannot exceed the data on the nameplate.

3.2 - Checks prior to first use

• Electrical checks



Under no circumstances should an alternator, new or otherwise, be operated if the insulation is less than 1 megohm for the stator and 100,000 ohms for the other windings.

There is possible method for restoring the above minimum values, dry out the machine for 24 hours in a drying oven at a temperature of 110 °C.

LSAH 44.3

Low Voltage Alternator - 4 pole

WARNING

Ensure that the alternator has the degree of protection matching the defined environmental conditions.

• Mechanical checks

Before starting the machine for the first time, check that:

- top up the cooling circuit with water before starting the machine,
- the length and tightening torque of the added bolts are correct, and that there are no leaks on the water inlet and outlet,
- the length and tightening torque of the added bolts are correct,
- the protective grille and housing are correctly in place,
- the standard direction of rotation is clockwise as seen from the drive end (phase rotation in order 1 - 2 - 3).

For anti-clockwise rotation, swap 2 and 3.

- the winding connection corresponds to the site operating voltage (see section 3.3).

WARNING

At the first start-up or after an extended shutdown, allow the machine to be purged: bleeder (69).

3.3 - Terminal connection diagrams

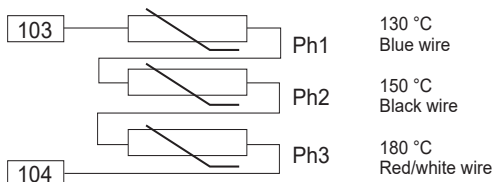
The winding code is specified on the nameplate.



Any intervention on the alternator terminals during checks should be performed with the machine stopped. In no case should the internal connections in the terminal box be subjected to stresses due to cables connected by the user.

Connection codes	Voltage / Detection			Factory connection
D 3PH 	Winding	50 Hz	60 Hz	
	6S	380 - 415	380 - 480	
D350: 1PH: V - W 3PH: U - V - W				

Thermistor temperature (PTC)



LSAH 44.3

Low Voltage Alternator - 4 pole

• Connection checks



Electrical installations must comply with the current legislation in force in the country of use.

Check that:

- The residual circuit-breaker conforms to legislation on protection of personnel, in force in the country of use, and has been correctly installed on the alternator power output as close as possible to the alternator. (In this case, disconnect the wire of the interference suppression module linking the neutral).
- Any protection devices in place have not been tripped.
- If there is an external AVR, the connections between the alternator and the cabinet are made in accordance with the connection diagram.
- There is no short-circuit phase-phase or phase-neutral between the alternator output terminals and the generator set control cabinet (part of the circuit not protected by circuitbreakers or relays in the cabinet).
- The machine should be connected with the busbar separating the terminals as shown in the terminal connection diagram.



- The alternator earth terminal inside the terminal box is connected to the electrical earth circuit
- The earth terminal is connected to the frame.

The connections inside the terminal box must never be subjected to stress due to cables connected by the user.

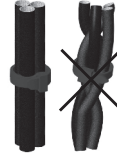


Diameter	M6	M8	M10	M12
Torque	4 Nm	10 Nm	20 Nm	35 Nm
Tolerance	± 15%			

Important points for all reconnection operations:

- Use polyamide plastic clamps 105°C minimum, 550 N minimum.

- Group the cables: three maximum.
- Do not cross cables if possible.
- Leave enough space to allow cooling.



3.4 - Commissioning



The machine can only be started up and used if the installation is in accordance with the regulations and instructions defined in this manual.

The machine is tested and set up at the factory. When first used with no load, make sure that the drive speed is correct and stable (see the nameplate). With the regreasable bearing option, we recommend greasing the bearings at the time of commissioning (see section 4.3).

On application of the load, the machine should achieve its rated speed and voltage; however, in the event of abnormal operation, the machine setting can be altered (follow the adjustment procedure in section 3.5). If the machine still operates incorrectly, the cause of the malfunction must be located (see section 4.6).

3.5 - Setting up



The various adjustments during tests must be made by a qualified engineer.

Ensure that the drive speed specified on the nameplate is reached before commencing adjustment.

After operational testing, replace all access panels or covers.

The AVR is used to make any adjustments to the machine.

LSAH 44.3

Low Voltage Alternator - 4 pole

4 - SERVICING - MAINTENANCE

4.1 - Safety measures

Servicing or troubleshooting must be carried out strictly in accordance with instructions so as to avoid the risk of accidents and to maintain the machine in its original state.



All such operations performed on the alternator should be undertaken by personnel trained in the commissioning, servicing and maintenance of electrical and mechanical components, who must wear personal protective equipment appropriate for mechanical and electrical hazards.

Before any intervention on the machine, ensure that it cannot be started by a manual or automatic system and that you have understood the operating principles of the system.

Also check that no liquid is leaking from the cooling circuit.



Warning : During and after running, the alternator will reach temperatures hot enough to cause injury, such as burns.

4.2 - Routine maintenance

• Checks after start-up

After approximately 20 hours of operation, check that all fixing screws on the machine are still tight, plus the general state of the machine and the various electrical connections in the installation.

• Electrical servicing

Commercially-available volatile degreasing agents can be used.

WARNING

Do not use: trichlorethylene, perchlorethylene, trichloroethane or any alkaline products.



These operations must be performed at a cleaning station, equipped with a vacuum system that collects and flushes out the products used.

The insulating components and the impregnation system are not at risk of damage from solvents. Avoid letting the cleaning product run into the slots.

Apply the product with a brush, sponging frequently to avoid accumulation in the housing. Dry the winding with a dry cloth. Let any traces evaporate before reassembling the machine.

• Mechanical servicing

WARNING

Cleaning the machine using water or a highpressure washer is strictly prohibited. Any problems arising from such treatment are not covered by our warranty.

Check regularly that no liquid is leaking from the cooling circuit.

Degreasing: Use a brush and detergent (suitable for paintwork).

Dusting: Use an air gun.

If the machine is fitted with air inlet and outlet filters, the maintenance personnel should clean them routinely at regular intervals. In the case of dry dust, the filter can be cleaned using compressed air and/or replaced if it is clogged.

After cleaning the alternator, it is essential to check the winding insulation (see sections 3.2 and 4.6).

LSAH 44.3

Low Voltage Alternator - 4 pole

4.3 - Bearings

The bearings are greasable	<ul style="list-style-type: none"> - Life of the grease: 4,000 hours or 3 years with «NLGI Lithium» grease - Level 3 or equivalent (viscosity 40°C -> 115 mm²/s & 100°C -> 10mm²/s) - Amount of grease: <ul style="list-style-type: none"> - DE bearing: 26 gr - NDE bearing: 10 gr
Replacement of regreasable bearings	<ul style="list-style-type: none"> - Amount of grease: <ul style="list-style-type: none"> - DE bearing: 50 gr - NDE bearing: 25 gr

4.4 - Cooling circuit

Composition	Water, anticorrosion oxygen inhibitor, glycol-type antifreeze up to 50%
Maintenance	<ul style="list-style-type: none"> - Coolant change interval: 16,000 hours or 2 years maximum (the first of two who is reached) - pH of water: 7<pH<8

4.5 - Mechanical defects

Fault		Action/Cause
Bearing	Excessive overheating of one or both bearings (bearing temperature 105°C above the ambient temperature)	<ul style="list-style-type: none"> - If the bearing has turned blue or if the grease has turned black, change the bearing. - Bearing not fully locked (abnormal play in the bearing cage) - End shields incorrectly aligned
Abnormal temperature	Excessive overheating of alternator frame (more than 40° C above the ambient temperature)	<ul style="list-style-type: none"> - Alternator operating at too high a voltage (>105% of Un on load) - Alternator overloaded
Vibrations	Too much vibration	<ul style="list-style-type: none"> - Misalignment (coupling) - Defective mounting or play in coupling - Rotor balancing fault (Engine - Alternator)
	Excessive vibration and humming noise coming from the machine	<ul style="list-style-type: none"> - Phase imbalance - Stator short-circuit
Abnormal noise	Alternator damaged by a significant impact, followed by humming and vibration	<ul style="list-style-type: none"> - System short-circuit - Misparalleling <p>Possible consequences</p> <ul style="list-style-type: none"> - Broken or damaged coupling - Broken or bent shaft end - Shifting and short-circuit of main field - Fan fractured or coming loose on shaft - Irreparable damage to rotating diodes/AVR, surge suppressor

LSAH 44.3

Low Voltage Alternator - 4 pole

4.6 - Electrical faults

Fault	Action	Effect	Check/Cause
No voltage at no load on start-up	Connect a new battery of 4 to 12 volts to terminals E- and E+, respecting the polarity, for 2 to 3 seconds	The alternator builds up and its voltage is still correct when the battery is removed	- Lack of residual magnetism
		The alternator builds up but its voltage does not reach the rated value when the battery is removed	- Check the connection of the voltage reference to the AVR - Faulty diodes - Armature short-circuit
		The alternator builds up but its voltage disappears when the battery is removed	- Faulty AVR - Field windings open circuit (check winding) - Revolving field coil open circuit (check the resistance)
Voltage too low	Check the drive speed	Correct speed	Check the AVR connections (AVR may be faulty) - Field windings short-circuited - Rotating diodes burnt out - Revolving field coil short-circuited (check the resistance)
		Speed too low	Increase the drive speed (do not touch the AVR voltage setting before running at the correct speed)
Voltage too high	Adjust AVR voltage potentiometer	Adjustment ineffective	- Faulty AVR
Voltage oscillations	Adjust the AVR stability potentiometer		- Check the speed: possibility of cyclic irregularity - Loose connections - Faulty AVR - Speed too low when on load (or AVR LAM set too high)
Voltage correct at no load and too low when on load	Run at no load and check the voltage between E+ and E- on the AVR	Voltage between E+ and E- (DC) AREP < 10V	- Check the speed (or AVR LAM set too high)
		Voltage between E+ and E- AREP > 15V	- Faulty rotating diodes - Short-circuit in the revolving field coil (check the resistance) - Faulty exciter armature (check the resistance)
Voltage disappears during operation	Check the AVR, the surge suppressor, the rotating diodes, and replace any defective components	The voltage does not return to the rated value	- Exciter winding open circuit - Faulty exciter armature - Faulty AVR - Revolving field coil open circuit or short-circuited

LSAH 44.3

Low Voltage Alternator - 4 pole

• Checking the winding

You can check the winding insulation by performing a high voltage test. In this case, you must disconnect all AVR wires.

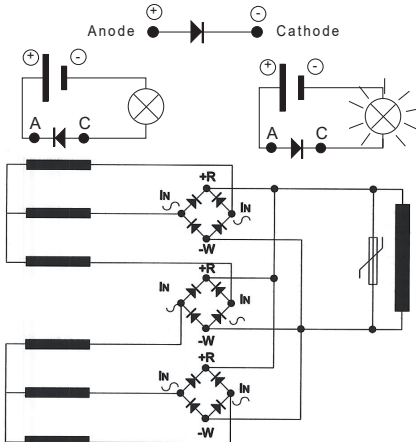
WARNING

Damage caused to the AVR in such conditions is not covered by our warranty.

• Checking the windings and rotating

• Checking the diode bridge

A diode in good working order should allow the current to flow only in the anode-to-cathode direction.



diodes using separate excitation

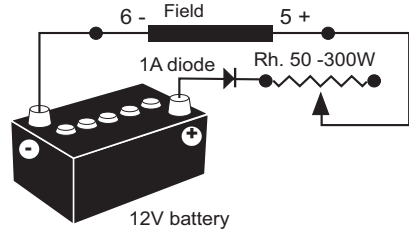


During this procedure, make sure that the alternator is disconnected from any external load and inspect the terminal box to check that the connections are fully tightened.

- 1) Stop the unit, disconnect and isolate the AVR wires.
- 2) There are two ways of creating an assembly with separate excitation.

Assembly A: Connect a 12 V battery in series with a rheostat of approximately 50 ohms - 300 W and a diode on both exciter field wires (5+) and (6-).

ASSEMBLY A



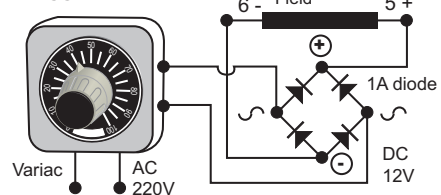
Assembly B: Connect a "Variac" variable power supply and a diode bridge on both exciter field wires (5+) and (6-).

Both these systems should have characteristics which are compatible with the field excitation power of the machine (see the nameplate).

3) Run the unit at its rated speed.

4) Gradually increase the exciter current by adjusting the rheostat or the variac and measure the output voltages on L1 - L2 - L3, checking the excitation voltage and current at no load (see the machine nameplate or ask for the factory test report). When the output voltage is at its rated value and balanced within 1% for the rated excitation level, the machine is in good working order. The fault therefore comes from the AVR or its associated wiring (ie. sensing, auxiliary windings).

ASSEMBLY B



LSAH 44.3

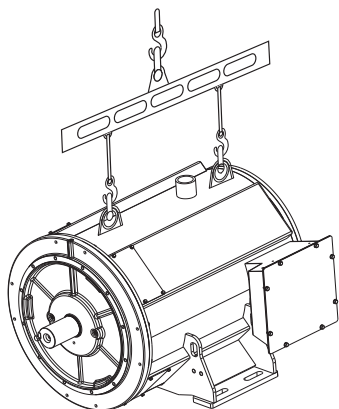
Low Voltage Alternator - 4 pole

4.7 - Dismantling, reassembly

WARNING

During the warranty period, this operation should only be carried out in an approved workshop or in our factory, otherwise the warranty may be invalidated.

Whilst being handled, the machine should remain horizontal (rotor not locked when moved). Check how much the machine weighs before choosing the lifting method.



• Tools required

To fully dismantle the machine, we recommend using at least the tools listed below:

- 1 ratchet spanner + extension
- 1 torque wrench
- 1 set of flat spanners: 7, 8, 10, 12 mm
- 1 socket set: 8, 10, 13, 16, 18, 21, 22, 24 mm
- 1 Allen key: size 5 (eg. Facom: ET5), size 6 (ET6), size 10 (ET10, size 14 (ET14)
- 1 socket TORX bit T20 and T30
- 1 puller (U35)/(U32/350)

• Screw tightening torque

See section 5.4.

• Draining the cooling circuit

- Leave the machine stationary for 6 hours before draining the cooling circuit (operating temperature 70°C).

- The cooling circuit must be drained using a fluid recovery system.



Toxic risk

The coolant can contain up to 50% glycol-type antifreeze, which represents a risk to health.

• Access to diodes

- Remove the access door (111).
- Check all modules using an ohmmeter or a battery lamp.
- Refit the modules.
- Refit the access door (111).

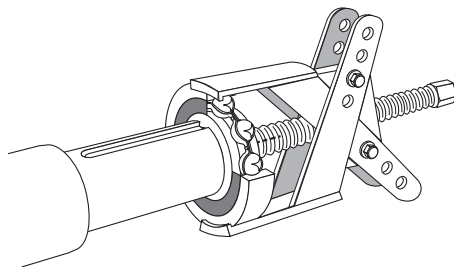
• Access to connections

Access is directly after removing the cover (136).

• Replacing the NDE bearing

Dismantling

- Remove the inner bearing retainer (78) screws.
- Remove the screws and the NDE bracket (36) using a puller: eg. U.32 - 350 (Facom).
- Remove the antifriction bearing (70) using a screw puller.



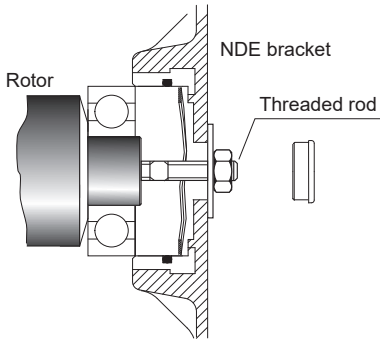
Reassembly

- Heat the inner slipping of a new bearing by induction or in a drying oven at 80°C (do not use an oil bath) and fit it to the machine.
- Place the preloading wavy washer (79) in the bracket and fit a new O ring seal (349).

LSAH 44.3

Low Voltage Alternator - 4 pole

- To facilitate mounting, screw two threaded rods into inner bearing retainer (78) and slide them into the holes of the bracket by reassembling the NDE bracket (36).
- Finish the assembly of inner bearing retainer (78), unscrew the threaded rod, replace it with the inner bearing retainer (78) screws and the NDE bracket (36) screws, and lock them.



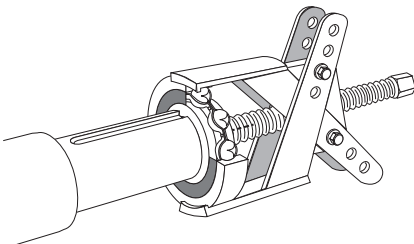
WARNING

When dismantling the brackets, you will need to change the antifriction bearings, the "O" ring seal, the preloading (wavy) washer and adhesive paste.

• Replacing the DE bearing

Dismantling

- Remove the inner bearing retainer (68) screws.
- Remove the DE bracket (30) screws.
- Remove the DE bracket (30) using a puller: eg. U.32 - 350 (Facom).
- Remove the antifriction bearing (60) using a screw puller.



Reassembly

- Heat the inner slipring of a new bearing by induction or in a drying oven at 80°C (do not use an oil bath) and fit it to the machine.
- To facilitate mounting, screw two threaded rods into inner bearing retainer (68) and slide them into the holes of the bracket by reassembling the DE bracket (30).
- Finish the assembly of inner bearing retainer (68), unscrew the threaded rod, replace it with the inner bearing retainer (68) screws and the DE bracket (30) screws, and lock them.

• Accessing the revolving field coil and stator

Dismantling

- Follow the procedure for dismantling the bearings.
- Insert a tube of the corresponding diameter on the shaft end.
 - Rest the rotor on one of its poles, then slide it out. Use the tube as a lever arm to assist dismantling.
 - After extraction of the rotor, be careful not to damage the fan or dismantle it.
 - Remove the revolving field coil and place on special V-shaped supports.

NOTE: If intervention is required on the revolving field coil (rewinding, replacement of components), the rotor assembly must be rebalanced.

Reassembling the revolving field coil

- Follow the dismantling procedure in reverse order.
- Take care not to knock the windings when refitting the rotor in the stator.
- Refit the fan with its fixing screws on the hub.

Follow the procedure for refitting the bearings.

LSAH 44.3

Low Voltage Alternator - 4 pole

4.8 - Table of characteristics

Table of average values:

Alternator - 4 poles - 50 Hz - Standard winding No. 6S (6-wire)

The voltage and current values are given for no-load operation and operation at rated load with separate field excitation.

All values are given to within $\pm 10\%$ and may be changed without prior notification (for exact values, consult the test report).

• Three-phase: 4 pole AREP excitation Resistances at 20 °C (Ω)

Type	Stator L/N	Rotor	Exciter field	Exciter armature
M4	0.021	2.64	8.07	0.920
M6	0.022	2.89	8.07	0.920
L8	0.015	3.15	8.07	0.920
VL12	0.010	3.86	8.07	0.920

Resistances of auxiliary windings at 20 °C (Ω)

Type	X1, X2	Z1, Z2
M4	0.300	0.552
M6	0.283	0.553
L8	0.265	0.536
VL12	0.272	0.591

Field excitation current i_{exc} (A) 400V - 50 Hz

" i_{exc} ": excitation current of the exciter field

Type	No load	At rated load
M4	1.08	1.40
M6	0.74	1.35
L8	0.94	1.42
VL12	0.94	1.39

For 60 Hz machines, the " i_{exc} " values are approximately 5 to 10 % lower.

• Table of weights

(maximum values given for information only)

Type	Total weight (kg)	Rotor (kg)
M4	545	135.5
M6	580	147
L8	622	160.5
VL12	750	206



After operational testing, it is essential to replace all access panels or covers.

LSAH 44.3

Low Voltage Alternator - 4 pole

5 - SPARE PARTS

5.1 - First maintenance parts

Here is the list of parts:

Single bearing kit	5336683
Non drive end bearing RLT040OU030 Preloading (wavy) washer O ring seal	
Two-bearing kit	5194748
Drive end bearing RLT070OU030 Non drive end bearing RLT040OU030 Preloading (wavy) washer O ring seal Circlips	
Diode bridge kit	4888595
Surge suppressor	4691059
AVR AREP D350	5124059
AVR AREP D550	5157122

5.2 - Technical support service

Our technical support service will be pleased to provide any additional information you may require.

For all spare parts orders or technical support requests, send your request to service.epg@leroy-somer.com or your nearest contact, whom you will find at www.lrsm.co/support indicating the complete type of machine, its number and the information indicated on the nameplate.

Part numbers should be identified from the exploded views and their description from the parts list.

To ensure that our products operate correctly and safely, we recommend the use of original manufacturer spare parts.

In the event of failure to comply with this advice, the manufacturer cannot be held responsible for any damage.



After operational testing, it is essential to replace all access panels or covers.

5.3 - Accessories

• Temperature sensors with thermistors (PTC)

These are thermistor triplets with a positive temperature coefficient installed in the stator winding (1 per phase). There can be a maximum of 2 triplets in the winding (at 2 levels: warning and trip) and 1 or 2 thermistors in the shields.

These sensors must be linked to adapted sensing relays (supplied optionally).

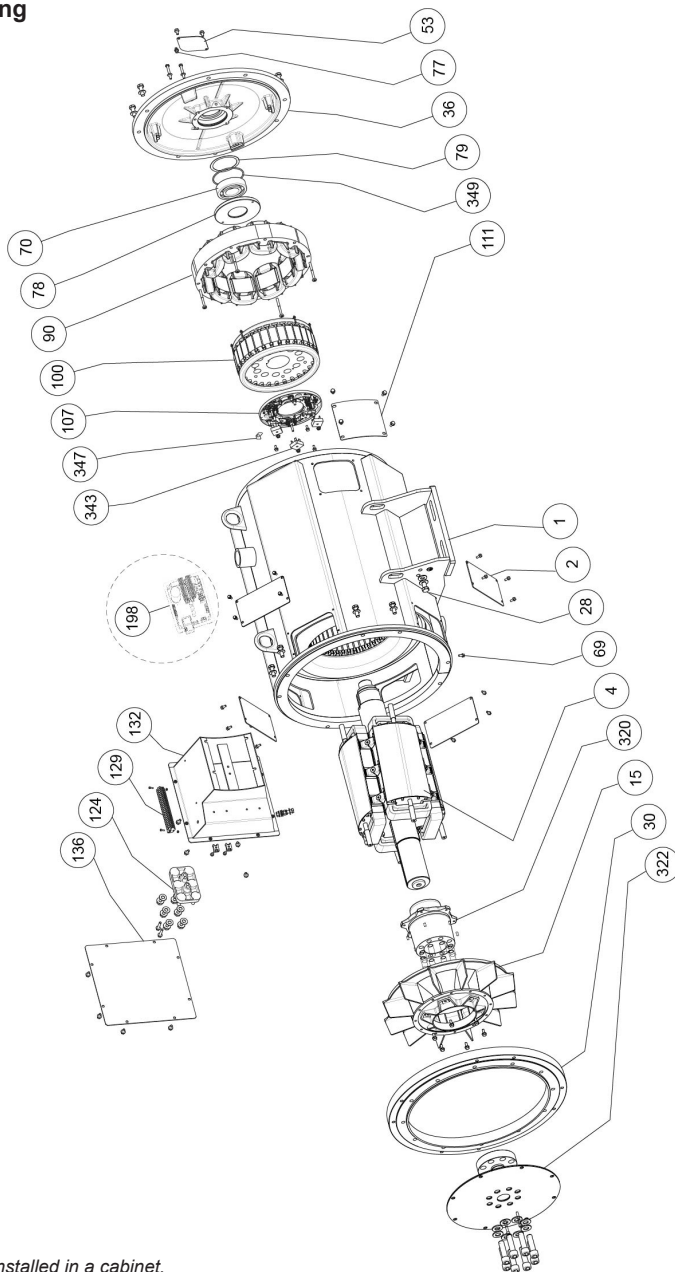
Cold resistance of cold thermistor sensors: 100 to 250 Ω per sensor.

LSAH 44.3

Low Voltage Alternator - 4 pole

5.4 - Exploded views, parts list and tightening torque

• Single bearing

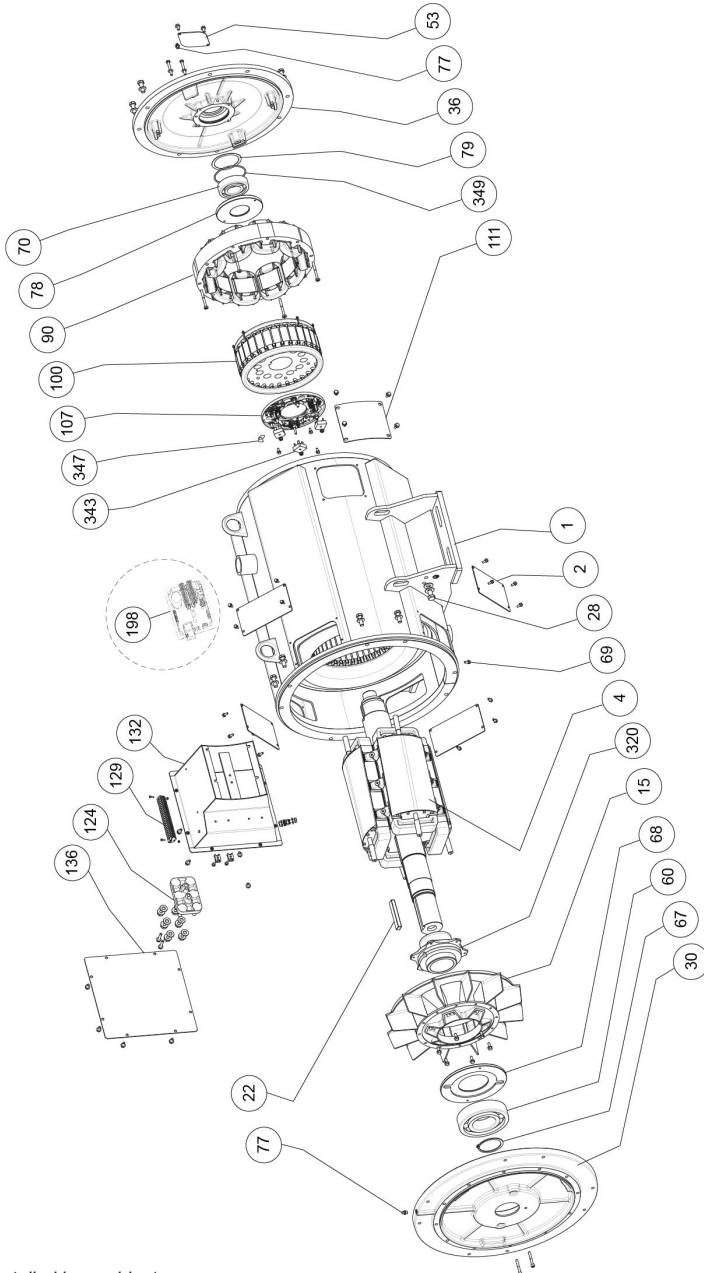


Dotted line: AVR installed in a cabinet.

LSAH 44.3

Low Voltage Alternator - 4 pole

• Two-bearing



Dotted line: AVR installed in a cabinet.

LSAH 44.3

Low Voltage Alternator - 4 pole

Ref.	Qty	Description	Screw Ø	Torque N.m	Ref.	Qty	Description	Screw Ø	Torque N.m
1	1	Stator assembly	-	-	79	1	Preloading (wavy) washer	-	-
2	4	Air duct cover	M6	10	90	1	Exciter field (stator)	M6	8.3
4	1	Rotor assembly	-	-	100	1	Exciter armature (rotor)	-	-
15	1	Fan	M6	5	107	1	Diode bridge support	M5	6
22	1	Shaft extension key	-	-	111	1	Diode access door	M6	10
28	1	Earth terminal	M10	20	124	1	Terminal block	M6	10
30	1	Drive end (DE) flange (single bearing) or drive end (DE) bracket (two-bearing)	M10	40	129	1	Auxiliary terminal block	M3	1
36	1	Non drive end (NDE) bracket	M10	40	132	1	Terminal box body	M6	10
53	1	Sealing cap	M6	8.3	136	1	Terminal box cover	M6	10
60	1	Drive end (DE) bearing	-	-	198	1	Voltage regulator (AVR)	M5	6
67	1	Circlips	-	-	320	1	Coupling sleeve	-	-
68	1	Inner bearing retainer	M6	8.3	322	2	Coupling disc	M16	300
69	1	Bleeder	-	-	343	3	Diode bridge	M5	3
70	1	Non drive end (NDE) bearing	-	-	347	1	Surge suppressor (+ PCB)	M6	4
77	2	Grease nipple	M8	20	349	1	O ring seal	-	-
78	1	Inner bearing retainer	M6	8.3					

LSAH 44.3

Low Voltage Alternator - 4 pole

Disposal and recycling instructions

We are committed to limiting the environmental impact of our activity. We continuously monitor our production processes, material sourcing and product design to improve recyclability and minimise our environmental footprint.

These instructions are for information purposes only. It is the user's responsibility to comply with local legislation regarding product disposal and recycling.

Recyclable materials

Our alternators are mainly constructed from iron, steel and copper materials, which can be reclaimed for recycling purposes.

These materials can be reclaimed through a combination of manual dismantling, mechanical separation and melting processes. Our technical support department can provide detailed directions on how to dismantle products on request.

Waste & hazardous materials

The following components and materials require special treatment and must be separated from the alternator before the recycling process:

- electronic materials found in the terminal box, including the automatic voltage regulator (198), current transformers (176), interference suppression module and other semi-conductors.
 - diode bridge (343) and surge suppressor (347), found on the alternator rotor.
 - major plastic components, such as the terminal box structure on some products.
- These components are usually marked with information concerning the type of plastic.

All materials listed above need special treatment to separate waste from reclaimable materials and should be entrusted to specialist recycling companies.

The coolant, oil and grease from the lubrication system should be treated as hazardous waste and must be treated in accordance with local legislation.

Our alternators have a specified lifetime of 20 years. After this period, the operation of the product should be stopped, regardless of its condition. Any further operation after this period will be under the sole responsibility of the user.

LSAH 44.3

Low Voltage Alternator - 4 pole

**Moteurs Leroy-Somer**

Boulevard Marcellin Leroy - CS 10015
16915 Angoulême cedex 9 - France

Angoulême, 28 October 2021

EC Declaration

Moteurs Leroy-Somer declares hereby that the electric generators of the types:

LSA 40 – LSA 42.3 – LSA 44.3 – LSA 46.3 – LSA 47.2 – LSA 47.3 – LSA 49.1 – LSA 49.3 – LSA 50.1 – LSA 50.2 – LSA 51.2 – LSA 52.2 – LSA 52.3 – LSA 53 – LSA 53.1 – LSA 53.2 – LSA 54 – LSA 54.2 – TAL 040 – TAL 042 – TAL 044 – TAL 046 – TAL 047 – TAL 047.3 – TAL 049 – LSAH 42.3 – LSAH 44.3

as well as their derivatives, manufactured by Leroy-Somer or on Leroy-Somer's behalf:

MOTEURS LEROY-SOMER

Boulevard Marcellin Leroy
16015 Angoulême
France

MLS HOLICE STLO.SRO

Sladkovskeho 43
772 04 Olomouc
République Tchèque

MOTEURS LEROY-SOMER

1, rue de la Burelle
Boite Postale 1517
45800 St Jean de Braye France

**LEROY-SOMER ELECTRO-
TECHNIQUE Co., Ltd**

No1 Alimosheng Road, Galshan Town,
Cangshan District,
Fuzhou, Fujian 350026 Chine

**NIDEC INDUSTRIAL AUTOMATION
INDIA PRIVATE Ltd - BANGALORE**

#45, Nagarur, Huskur Road
Off Tumkur Road,
Bengaluru-562 162 Inde

**NIDEC INDUSTRIAL AUTOMATION
INDIA PRIVATE Ltd - HUBLI**

#64/A, Main Road,
Tarihal IndustrialArea,
Tarihal, Hubli-580 026 Inde

meet the requirements of the following standards and directives:

Declaration of compliance:

- Low Voltage Directive Nr 2014/35/EU dated 26th February 2014.
- EN and IEC 60034-1, 60034-5 and 60034-22.
- ISO 8528-3 "Reciprocating internal combustion engine driven alternating current generating sets. Part 3. Alternating current generators for generating sets".

These generators also comply with the ROHS Directive Nr 2011/65/EU dated 8th June 2011 and its Annex II Nr 2015/863 dated 31st March 2015, as well as the EMC Directive Nr 2014/30/EU dated 26th February 2014.

Declaration of incorporation:

These generators are designed to meet the essential requirements Annex I, chapters 1.1.2, 1.1.3, 1.1.5, 1.3.1 to 1.3.3, 1.3.6 to 1.3.8.1, 1.4.1, 1.4.2.1, 1.5.2 to 1.5.11, 1.5.13, 1.6.1, 1.6.4, 1.7 (except 1.7.1.2) of Machinery Directive Nr 2006/42/EC, as well as Annex VII, part B of this directive and the aforementioned standards.

As a result, these "Partly completed machinery" are designed to be incorporated into Electrical Gen-Sets complying with the Machinery Directive Nr 2006/42/EC dated 17th May 2006.

WARNING:

The here mentioned generators should not be commissioned until the corresponding Gen-Sets have been declared in compliance with the Directives Nr 2006/42/EC, 2014/30/EU, 2011/65/EU and 2015/863, as well as with other relevant Directives.

Moteurs Leroy-Somer undertakes to transmit, in response to a reasoned request by the national authorities, relevant information on the generator.

Those responsible for compiling the technical files and this declaration are:

Yannick MESSIN, Technical Manager LS Orléans, 1 rue de la Burelle, 45800 Saint Jean de Braye
Jean-Pierre CHARPENTIER, Technical Manager LS Sillac, Bld Marcellin Leroy, 16015 Angoulême

J.P. CHARPENTIER – Y. MESSIN

LEROY-SOMER[™]

Moteurs Leroy-Somer

Headquarters: Boulevard Marcellin Leroy CS 10015 - 16915 Angoulême cedex 9 - France
SAS with share capital of 32,239,235 € - RCS Angoulême 338 567 258

4152 en - 2021.10 / v

The contractual EC Declaration of compliance and incorporation can be obtained from your contact on request.

LSAH 44.3

Low Voltage Alternator - 4 pole

Service & Support

Our worldwide service network of over 80 facilities is at your service.

This local presence is our guarantee for fast and efficient repair, support and maintenance services.

Trust your alternator maintenance and support to electric power generation experts. Our field personnel are 100% qualified and fully trained to operate in all environments and on all machine types.

We have a deep understanding of alternator operation, providing the best value service to optimise your cost of ownership.

Where we can help:



Contact us:

Americas: +1 (507) 625 4011

EMEA: +33 238 609 908

Asia Pacific: +65 6250 8488

China: +86 591 8837 3010

India: +91 806 726 4867



Scan the code or go to:

 service.epg@leroy-somer.com

www.lrsn.co/support

LEROY-SOMER[™]

www.ley-somer.com/epg

Connect with us at:



Nidec
All for dreams