



GEARLEC GT3



**Alternator with speed multiplier
for tractor PTO**

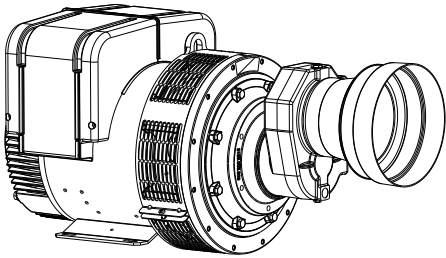
LEROY-SOMER™

Nidec
All for dreams

Don't be left without power!

GEARLE

An alternative source of energy production is as a safeguard in the event of a power fail



- ▶ **Gearlec** is a tractor-mounted PTO alternator designed for fixed use as emergency power for buildings or agricultural tools. It helps secure energy for farms at a lower cost by taking advantage of the mechanical power produced by tractors.
- ▶ **With a robust and reliable design**, Gearlec is an effective protection against the climatic and technological hazards that can affect modern farms.



Prior to use, GEARLEC should be equipped with an electrical distribution, protection and control panel, in compliance with local regulations currently in force.

The Gearlec range complies with the main international standards: EC marking, IEC 60034, NEMA MG 1.32-33, UL 1446, ISO 8528-3. Gearlec is designed, manufactured and marketed in an ISO 9001 and ISO 14001 environment.

GT3 3 phase range: 50 Hz - 400 V - P.F. 0.8 - 4 pole - 1500 R.P.M.

Type	Continuous output 40°C kVA	Stand-by 27°C kVA	Starting capacity* kVA 30%	Min. power (take-off shaft) H.P.
GT3 16.5	15	16.5	28	22
GT3 20	17.5	19.5	34	27
GT3 27.5	25	27.5	37	36
GT3 30	27	30	40	39
GT3 35	32	35	48	45
GT3 40	36	40	66	51
GT3 45	40	45	66	57
GT3 50	45	50	73	63
GT3 55	50	55	86	70
GT3 66	60	66	100	83

*30% Voltage dip - P.F. 0.6
Power take-off shaft speed: 429 R.P.M.

GT3 3 phase range: 60 Hz - 480 V - P.F. 0.8 - 4 pole - 1800 R.P.M.

Type	Continuous output 40°C kVA	Stand-by 27°C kVA	Starting capacity* kVA 30%	Min. power (take-off shaft) H.P.
GT3 16.5	19	21	34	25
GT3 20	22	24	40	29
GT3 27.5	31.5	34.5	45	41
GT3 30	34	37.5	48	45
GT3 35	40	44	58	51
GT3 40	44	48.5	79	55
GT3 45	50	55	79	63
GT3 50	56.5	62	88	71
GT3 55	62.5	69	104	78
GT3 66	75	82.5	119	93

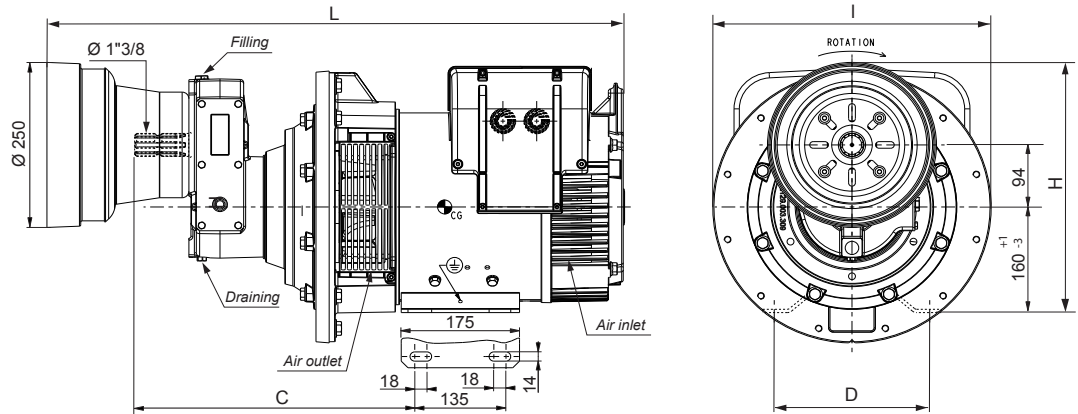
*30% Voltage dip - P.F. 0.6
Power take-off shaft speed: 514 R.P.M.

C range

essential in modern agricultural operations, pure or for use in areas without electricity.



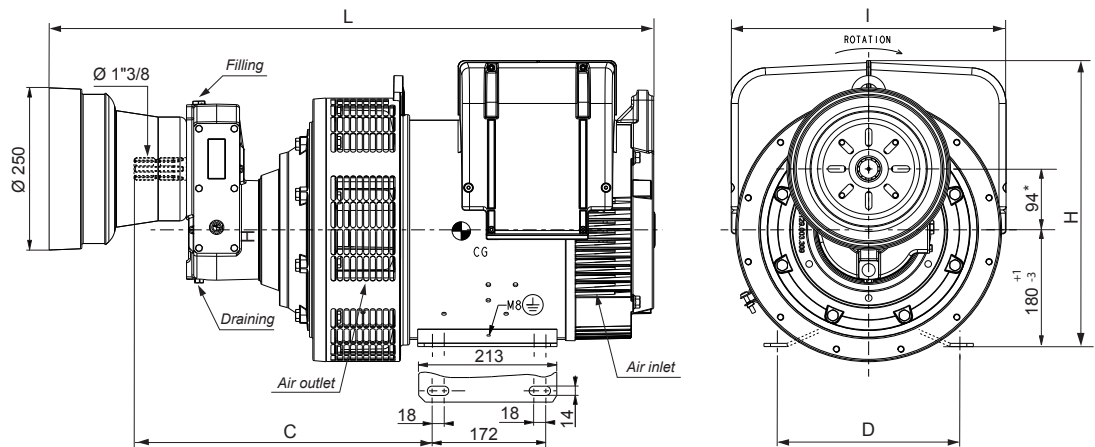
► 16.5 - 20 kVA range



Dimensions (mm) and weight (kg)

Type	H (mm)	L (mm)	I (mm)	C (mm)	D (mm)	Weight (kg)
GT3 16.5	379	852.5	412	414.35	230	118
GT3 20	379	852.5	412	414.35	230	123

► 27.5 - 66 kVA range



* For 40, 45, 50, 55 and 66 kVA: 105 mm

Dimensions (mm) and weight (kg)

Type	H (mm)	L (mm)	I (mm)	C (mm)	D (mm)	Weight (kg)
GT3 27.5	441	926	420	457.5	279	152
GT3 30	441	926	420	457.5	279	157
GT3 35	441	926	420	457.5	279	168
GT3 40	441	1008	420	520	279	193
GT3 45	441	1008	420	520	279	193
GT3 50	441	1048	420	520	279	208
GT3 55	441	1048	420	520	279	213
GT3 66	450.5	1101	455	542.75	279	230

NOTE : Dimensions are for information only and may be subject to modifications. Contractuel 2D (.pdf format) drawings can be downloaded from the Leroy-Somer site, 3D drawing files are available upon request.

LEROY-SOMER[™]

www.leroy-somer.com/epg

Connect with us at:



Nidec
All for dreams

© 2024 Moteurs Leroy-Somer SAS. The information contained in this brochure is for guidance only and does not form part of any contract. The accuracy cannot be guaranteed as Moteurs Leroy-Somer SAS have an ongoing process of development and reserve the right to change the specification of their products without notice.

Moteurs Leroy-Somer SAS. Headquarters: Bd Marcellin Leroy, CS 10015, 16915 Angoulême Cedex 9, France. Share Capital: 32,239,235 €, RCS Angoulême 338 567 258.