

ELECTRICAL CONNECTION DIAGRAMS KAMAG 11, KAMAG 14 AND KAMAG 18 GENERATORS WITH APR VOLTAGE REGULATORS

- NOTE 1 CAUTION: UNIT MUST BE GROUNDED IN ACCORDANCE WITH APPLICABLE ELECTRICAL CODES; GENERATOR NEUTRAL IS FACTORY-GROUNDED TO GENERATOR FRAME
- NOTE 2 SEE VOLTAGE RANGE CHART FOR APPLICABLE CONNECTION DIAGRAM. CONDUCTORS SHOWN AS DASHED LINES TO BE INSTALLED BY THE USER OF THE GENERATOR. CHECK ALL CONNECTIONS INCLUDING THOSE MADE TO VOLTAGE REGULATOR BEFORE OPERATING GENERATOR SET.
- NOTE 3 CONNECTION OF OPTIONAL REGULATOR ON-OFF SWITCH IS SHOWN IN FIGURE 1A.
- NOTE 4 CONNECTION OF OPTIONAL FIELD CIRCUIT BREAKER IS SHOWN IN FIGURE 1B.
- NOTE 5 CONNECTION OF OPTIONAL PARALLELING MODULE IS SHOWN IN FIGURE 1C.
- NOTE 6 WHEN OPERATING ON A 3 WIRE GROUNDED LEG DELTA SYSTEM, REMOVE LEADS 4 & 7 FROM GROUND STUD, BOLT THEM TOGETHER AND INSULATE THEM, THEN CONNECT THE DESIRED PHASE LEADS TO GROUND STUD.
- NOTE 7 CAUTION: EXCITER FIELD CIRCUIT IS NOT ISOLATED. DO NOT ATTEMPT TO MANUALLY FLASH GENERATOR FIELD WHILE GENERATOR IS ROTATING.
- NOTE 8 LEAD MARKINGS SHOWN GIVES A-B-C PHASE ROTATION WHEN THE GENERATOR IS ROTATING CCW AS VIEWED FROM THE EXCITER END. (CW FACING DRIVE END).
- NOTE 9 CB-CB- JUMPER MUST BE IN PLACE WHENEVER THE CURRENT SUPPORT SYSTEM IS NOT USED.
- NOTE 10 HZ JUMPER MUST AGREE WITH OPERATING FREQUENCY (50 HZ OR 60 HZ).

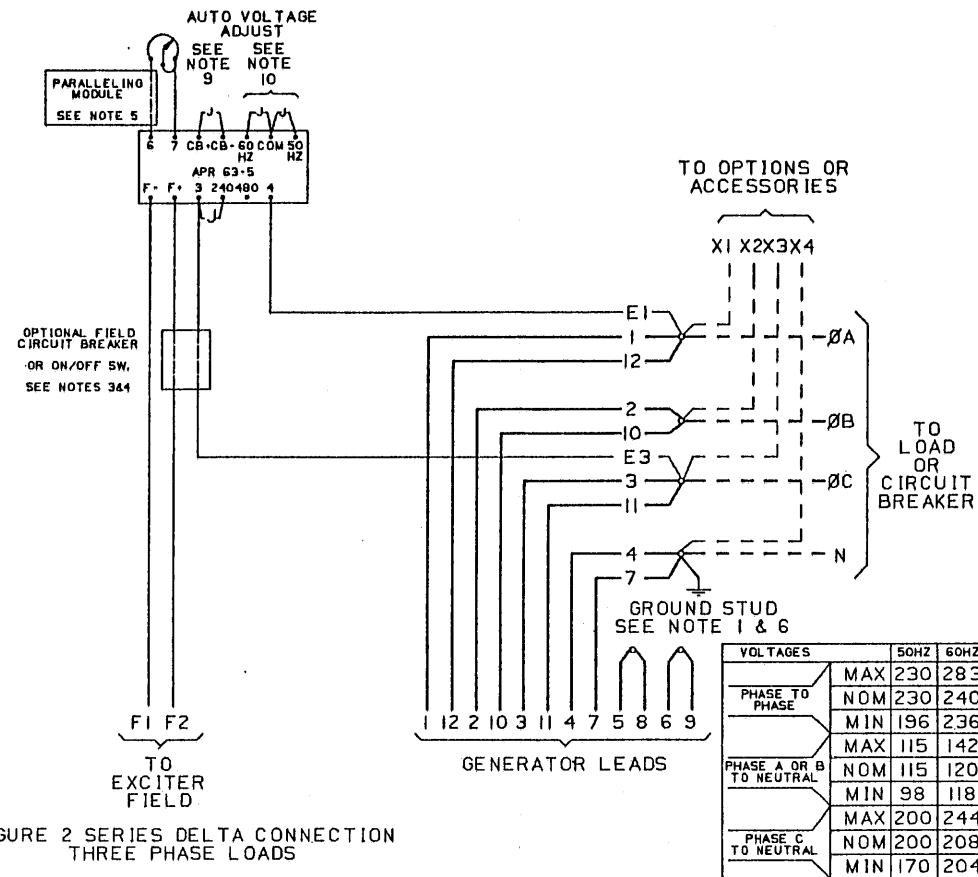


FIGURE 2 SERIES DELTA CONNECTION THREE PHASE LOADS

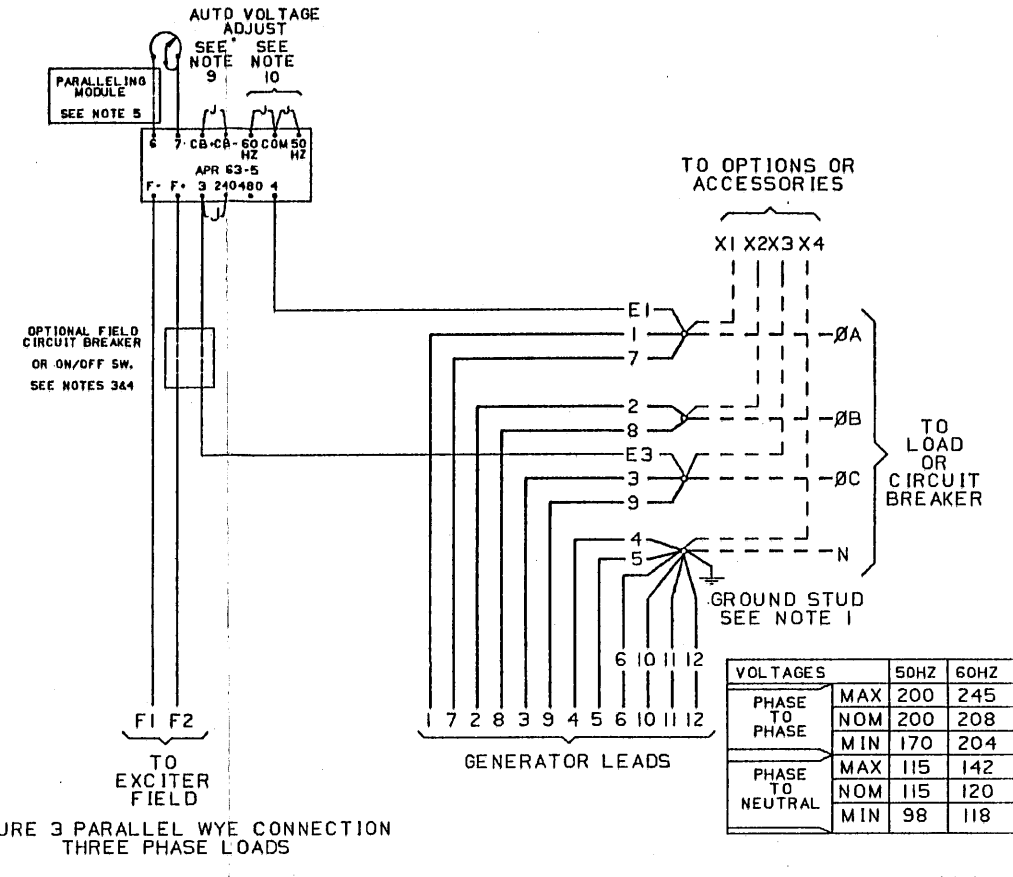


FIGURE 3 PARALLEL WYE CONNECTION THREE PHASE LOADS

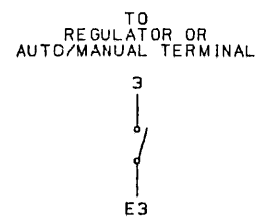


FIGURE 1A REGULATOR ON-OFF SW. OPTION

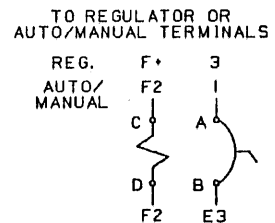


FIGURE 1B FIELD CIRCUIT BREAKER OPTION

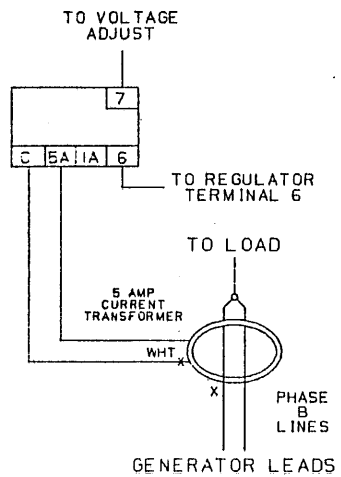


FIGURE 1C PARALLEL VOLTAGE DROOP OPTION

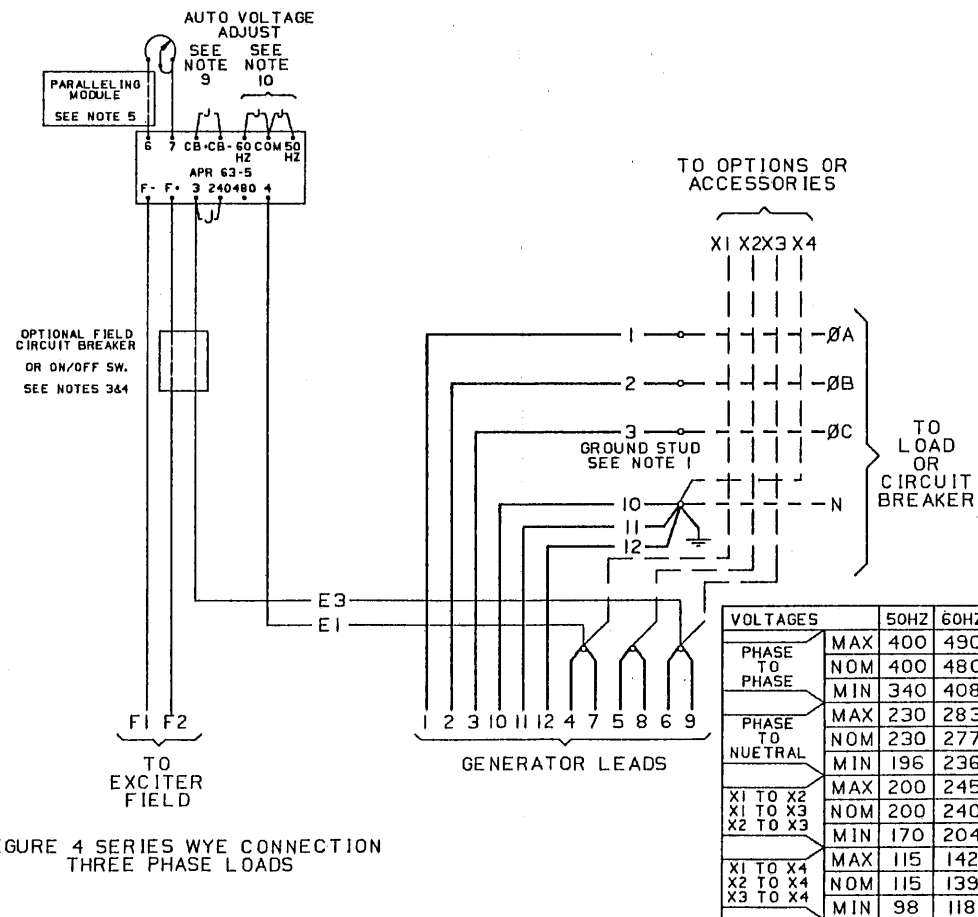


FIGURE 4 SERIES WYE CONNECTION THREE PHASE LOADS

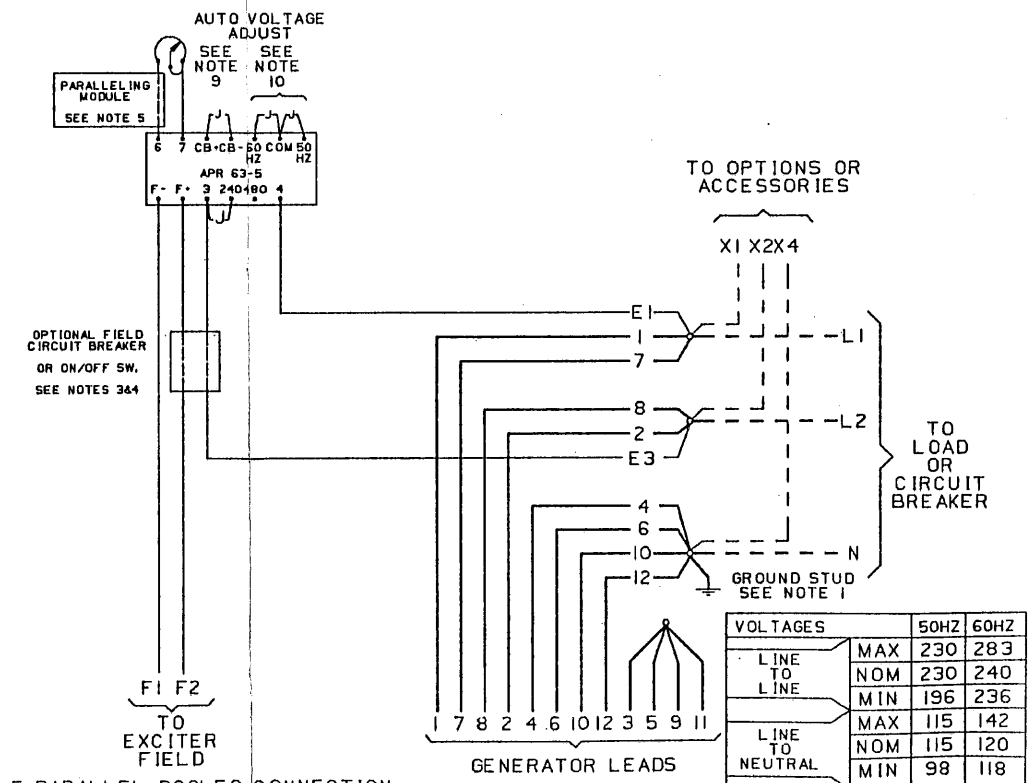


FIGURE 5 PARALLEL DOGLEG CONNECTION SINGLE PHASE LOADS

TESTED AT FACTORY AS ILLUSTRATED IN FIGURE

CERTIFIED FOR		B	42971	RAN	RCK	HWF	8-3-84
KVA	DISTRIBUTION: RAG, REK, RIV, RRC, RSN	A	37553	JEM	DL	DAB	6-13-86
VOLTAGE	RST	ORIGINAL	DLB	DL	DL	DL	5-30-85
P.O.	OR ORIGINAL AT RMK	REV	ECO	ENGR	DR	CK	DATE
KATO S/N	TITLE	MATL					
DATE	SCALE	SCALE					
SIGN	GENERATOR CONTROLS	DRAWING NUMBER	SH 1 OF 1		P8800-838		