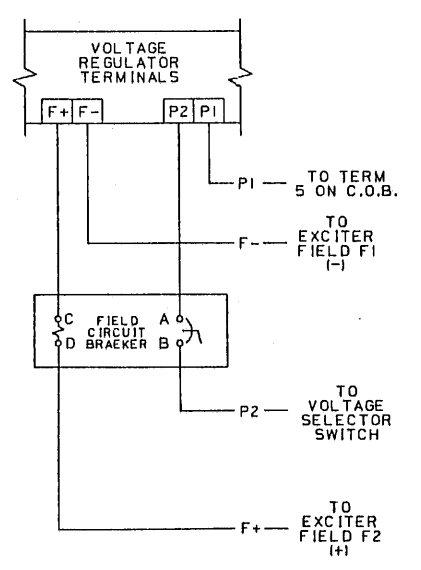
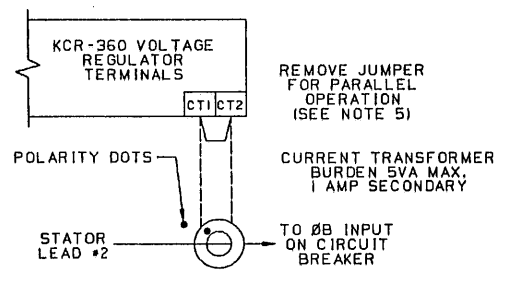
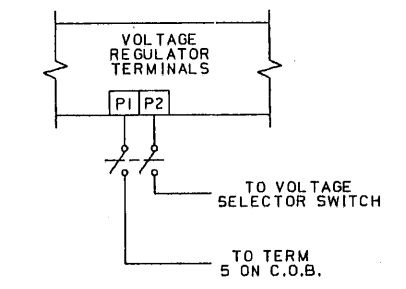
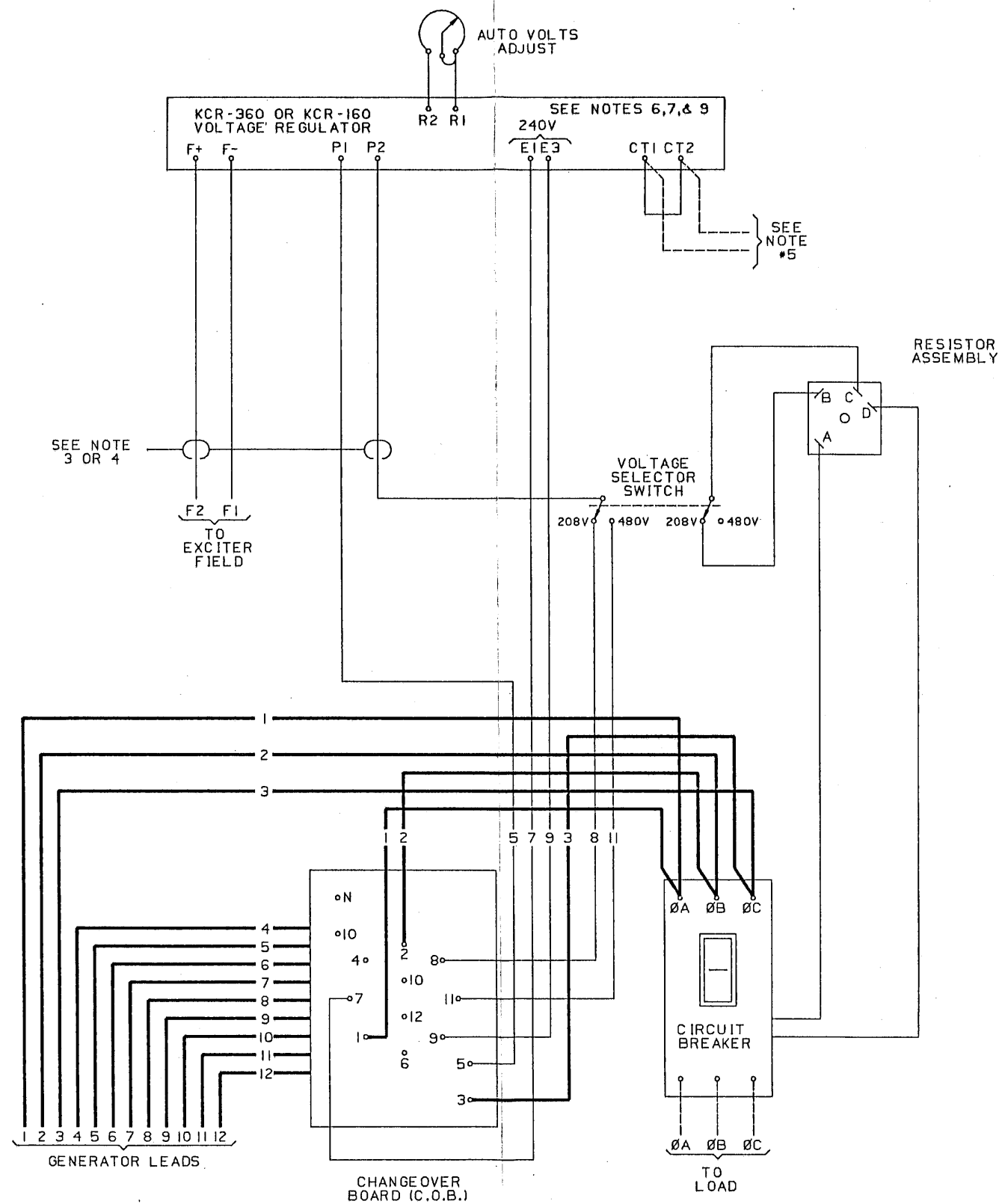


ELECTRICAL CONNECTION DIAGRAMS KAMAG 14 AND 18 GENERATORS WITH KCR VOLTAGE REGULATORS, DUAL RATED BREAKER AND CHANGE OVER BOARD

- NOTE 1 CAUTION: UNIT MUST BE GROUNDED IN ACCORDANCE WITH APPLICABLE ELECTRICAL CODES.
- NOTE 2 SEE VOLTAGE RANGE CHART FOR APPLICABLE CONNECTION DIAGRAM. CONDUCTORS SHOWN AS DASH LINES TO BE INSTALLED BY THE USER OF THE GENERATOR. CHECK ALL CONNECTIONS INCLUDING THOSE MADE TO VOLTAGE REGULATOR BEFORE OPERATING GENERATOR SET.
- NOTE 3 CONNECTION OF OPTIONAL REGULATOR ON-OFF SWITCH IS SHOWN IN FIGURE 1A.
- NOTE 4 CONNECTION OF OPTIONAL FIELD CIRCUIT BREAKER IS SHOWN IN FIGURE 1B.
- NOTE 5 IN APPLICATION WHERE PARALLEL OPTION IS NOT PROVIDED, A JUMPER MUST BE INSTALLED ACROSS TERMINAL CT1 AND CT2. IN THREE PHASE APPLICATIONS WHERE PARALLEL OPERATION VOLTAGE DROOP OPTION IS PROVIDED, REMOVE JUMPER AND CONNECT THE VOLTAGE DROOP CIRCUIT AS SHOWN IN FIGURE 1C. CURRENT TRANSFORMER MUST BE IN PHASE B LINE.
- NOTE 6 VOLTAGE REGULATOR POWER (TERMINALS P1 AND P2) MUST BE 50/60 HERTZ, 100 TO 139 VAC, SINGLE PHASE. SENSING (TERMINALS E1 AND E3) IS SET FOR 240 VAC NOMINAL. TO OBTAIN GOOD REGULATION ON SOME 50 HERTZ CONNECTIONS, IT MAY BE NECESSARY TO RESET SENSING ON KCR-360 VOLTAGE REGULATOR FOR 208 VAC. CONSULT REGULATOR MANUAL FOR PROCEDURE.
- NOTE 7 CAUTION: EXCITER FIELD CIRCUIT IS NOT ISOLATED. DO NOT ATTEMPT TO MANUALLY FLASH GENERATOR FIELD WHILE GENERATOR IS ROTATING.
- NOTE 8 LEAD MARKINGS SHOWN GIVES A-B-C PHASE ROTATION WHEN THE GENERATOR ROTATION IS CCW AS VIEWED FROM THE EXCITER END. (CW FACING DRIVE END).



|                    |                                   |           |     |                          |     |         |      |
|--------------------|-----------------------------------|-----------|-----|--------------------------|-----|---------|------|
| CERTIFIED FOR      |                                   | B 42971   | RAN | RCK                      | JF  | 8-2-88  |      |
|                    |                                   | A 38950   | RAN | RAN                      | DAB | 12-3-86 |      |
|                    |                                   | ORIGINAL  | DO  | DL                       | DAB | 9-3-85  |      |
| KVA                | DISTRIBUTION: RAG,REK,RIV,RR,RSN, | REV       | ECO | ENGR                     | DR  | CK      | DATE |
| VOLTAGE            | RST                               | SCALE     |     | 1st 5/N 92609            |     |         |      |
| P.O.               | ORIGINAL AT RMK                   | MATL      |     | DRAWING NUMBER SH 1 OF 1 |     |         |      |
| KATO S/N           | TITLE                             | DATE      |     | SIGN                     |     |         |      |
| GENERATOR CONTROLS |                                   | P8800-841 |     |                          |     |         |      |