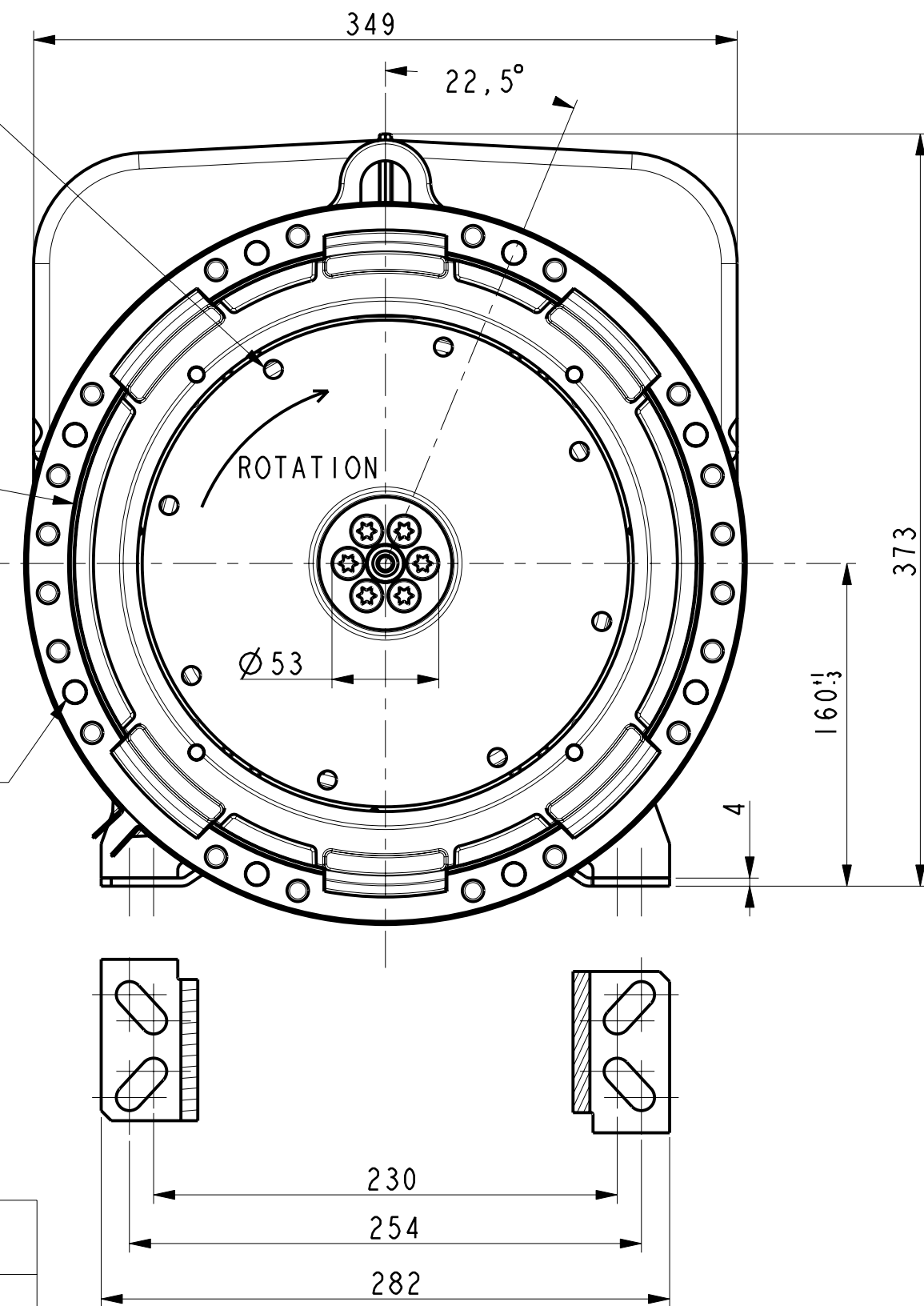


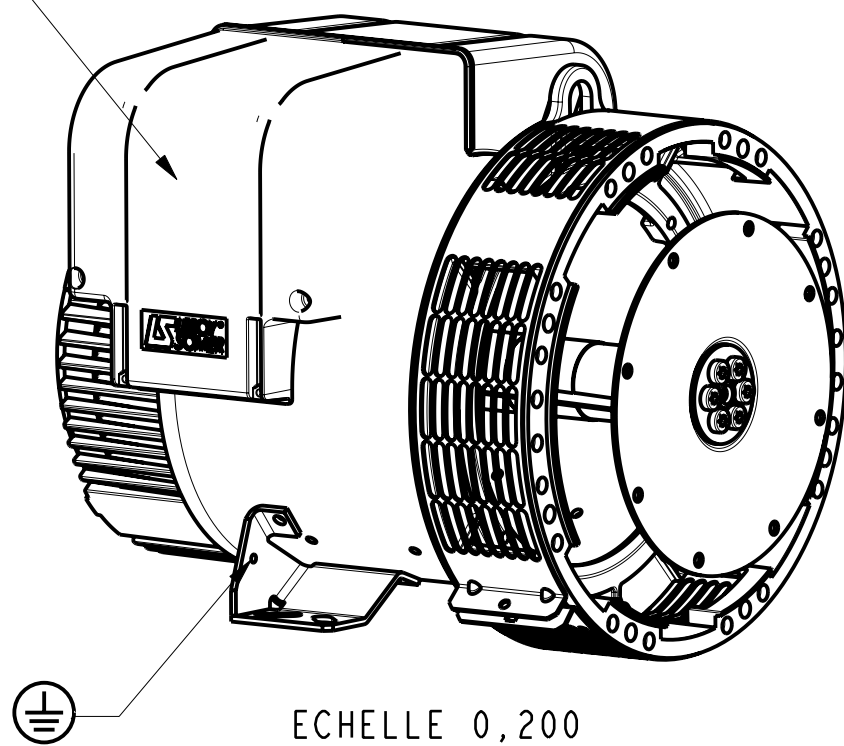
8 TROUS Ø9 SUR Ø222,25 EQUIDISTANT
9 DIA, 8 eq. sp. on 222.25 PCD

8 TROUS Ø11 SUR Ø333,38 EQUIDISTANT
11 DIA, 8 eq. sp. on 333.38 PCD



| TYPE | Xg | Masse Kg Weight | J Kg ² |
|---------------------------|-----|--------------------|-------------------|
| LSA40 S3 / LL & LLD III4H | 204 | 87 | 0.0959 |
| LSA40 S4 / LL & LLB III4L | 221 | 92 | 0.1027 |

Pre perçage Ø17 Ø21 Ø25 Ø32 Ø37
Predrilling



Sortie des cables Gauche vue bout d'arbre en STD
Acces regulateur Droite vue bout d'arbre en STD
Output power on left hand side view DE standard
Access to regulator on right hand side view DE standard

| | | | | | |
|----------------------------------|------------|---------------------------|--|------------------|-----------------------|
| - | - | - | - | - | - |
| - | - | - | - | - | - |
| α | 16-11-2009 | création | 09-372 | G.Rabel | X X |
| INDICE | DATE | NATURE DE LA MODIFICATION | N° C.T. | NOM | VERIF B.E. VERIF METH |
| Tolerances generales: - generale | | | Etats de surfaces (NFE 05-016) Ra: - partout sauf indications | | |
| Ref: - | | | Echelle Machine: ALTERNATEUR ALTERNATOR | | |
| Obs: SAE 5 - 7 1/2 | | | 0,333 LSA40 S3 - S4 | | |
| Matiere: - | | | Designation: ENCOMBREMENT | | |
| Modele de base: - | | | OUTLINE | | |
| Variante: - | | | LEROY-SOMER MOTEURS LEROY-SOMER 16015 ANGOULEME - FRANCE | | |
| Composant: - | | | | | |
| Compose: - | | | | | |
| Dessine: G.Rabel | | Verif methodes | | | |
| Verifie: - | | | | | |
| Date: 16-11-2009 | | | | A2 LSA40-8-027 α | |