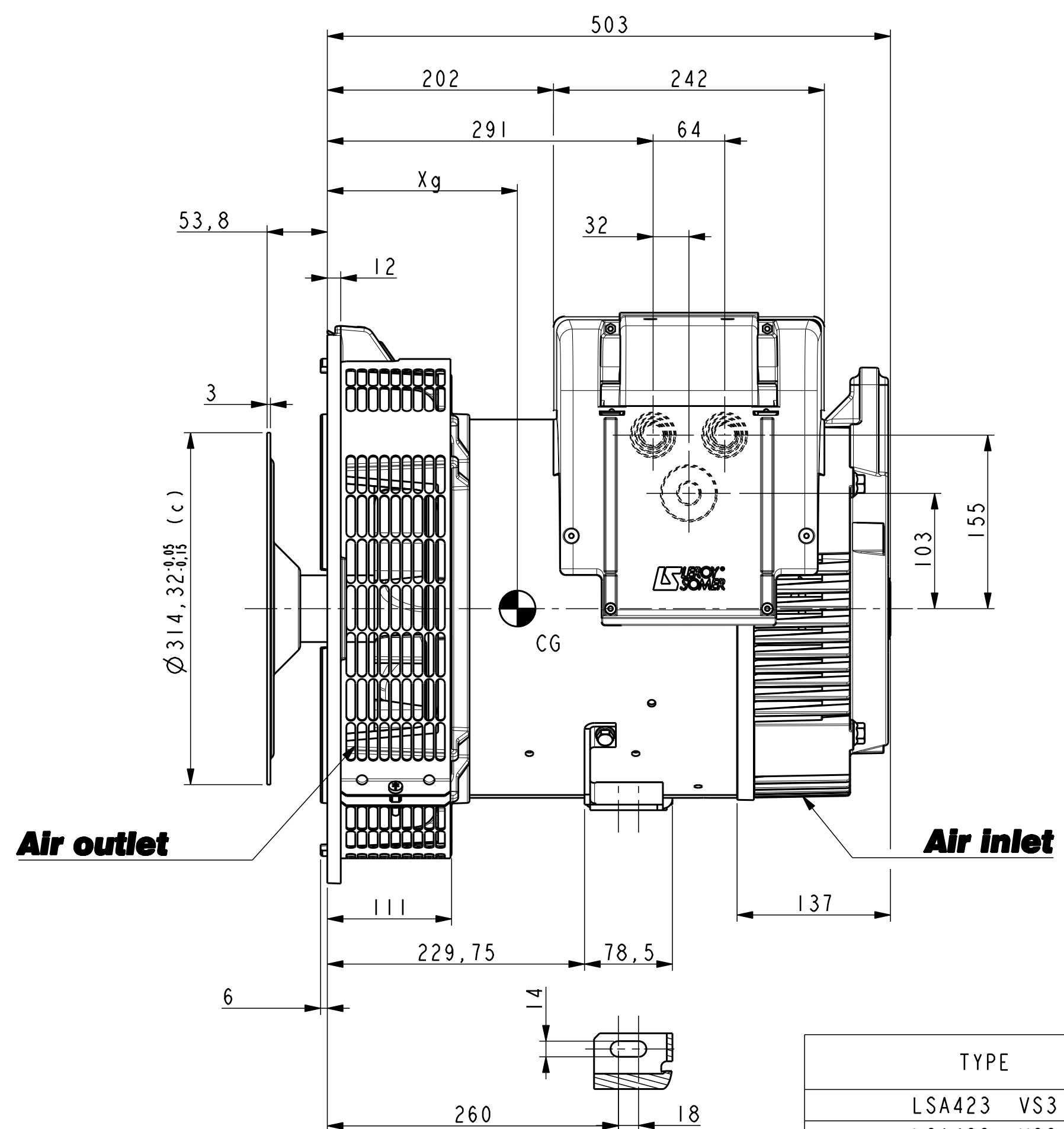


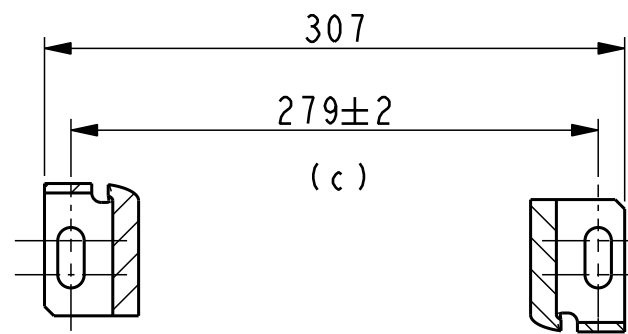
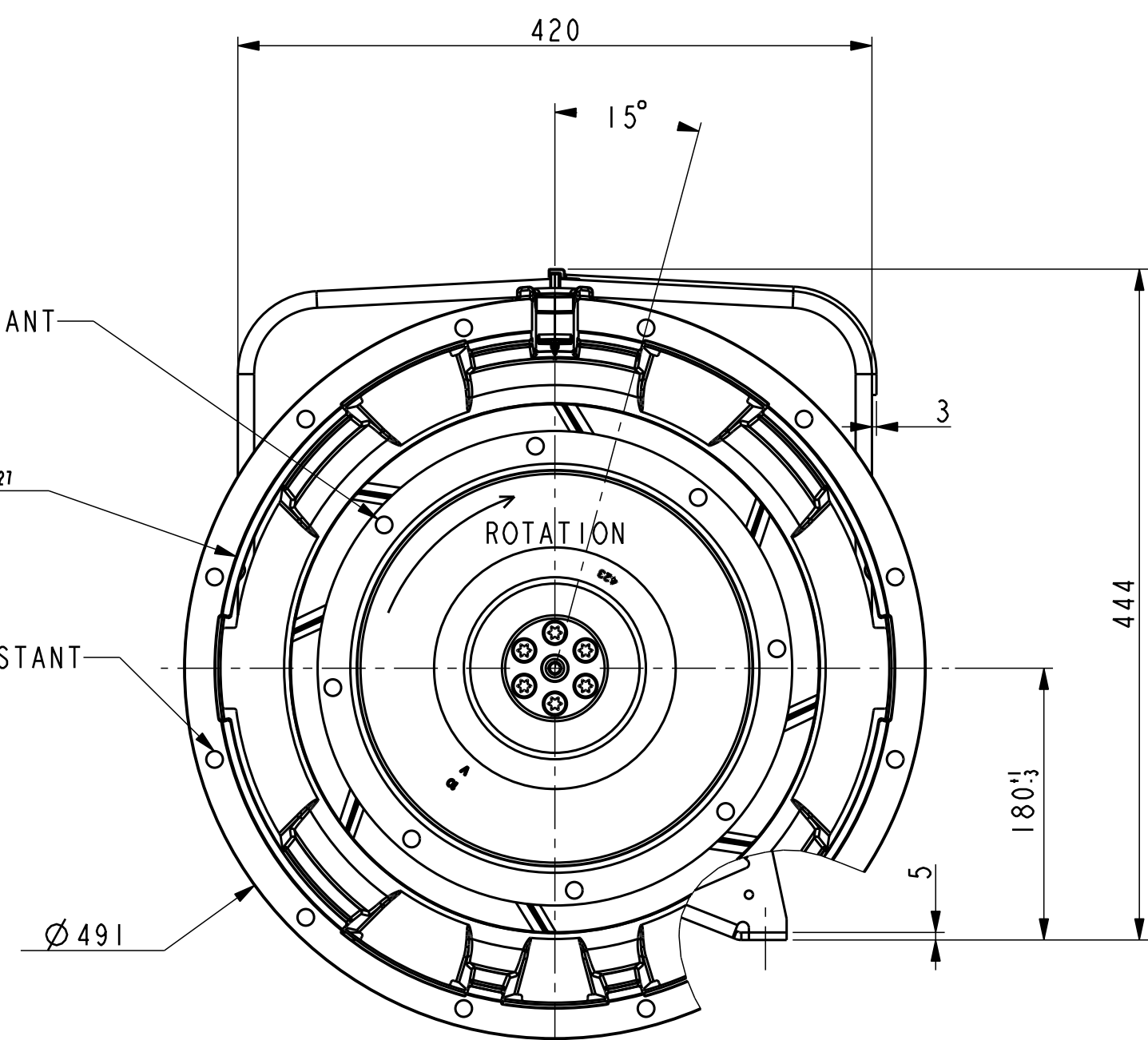
8 7 6 5 4 3 2

A B C D E F G H



8 TROUS Ø11 sur Ø295.28 EQUIDISTANT
11 DIA, 8 EQ. SP. ON 295.28 PCD

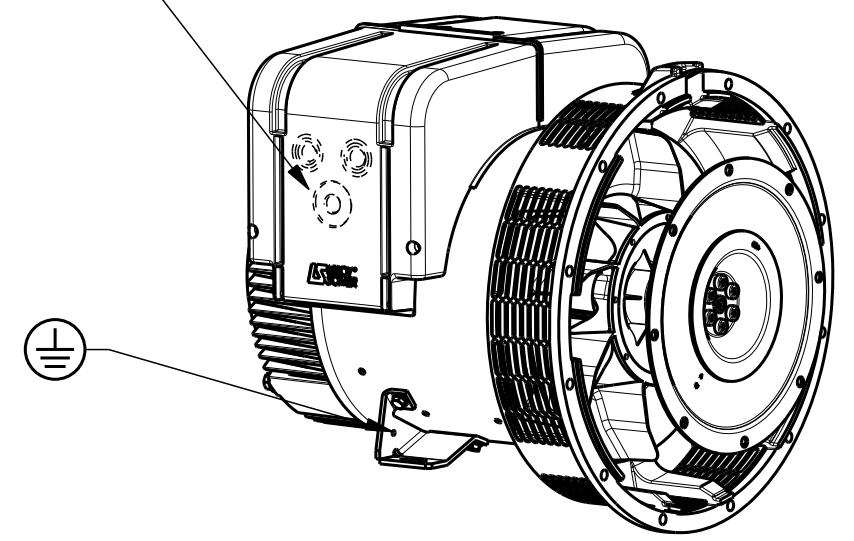
12 TROUS Ø11 sur Ø466.72 EQUIDISTANT
11 DIA, 12 EQ. SP. ON 466.72 PCD



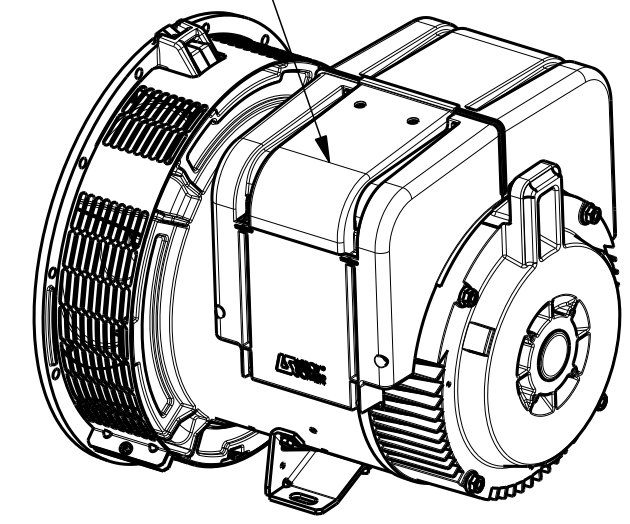
| TYPE | Xg | Masse Kg Weight | J Kgm ² |
|------------|-----|--------------------|--------------------|
| LSA423 VS3 | 242 | 140 | 0.2746 |
| LSA423 VS2 | 232 | 129 | 0.2491 |
| LSA423 VSI | 227 | 124 | 0,2363 |

Pre perçage Ø21 Ø25 Ø32 Ø40 Ø50
Predrilling

Acces regulateur
Access to regulator



ECHELLE 0,125



ECHELLE 0,125

Sortie des cables Gauche vue bout d'arbre en STD
Acces regulateur Droite vue bout d'arbre en STD
Output power on left hand side view DE standard
Access to regulator on right hand side view DE standard

| | | | | | | |
|---|------------|---------------------------|---|----------|------------|--------------|
| - | - | - | - | - | - | - |
| C | 06/03/13 | Modification dimensions | 13-158 | KOVALSKÝ | - | - |
| b | 14/12/2011 | cote 501 ==> 503 | 11-586 | JMD | - | - |
| a | X | X | 11-223 | X | X | X |
| INDICE | DATE | NATURE DE LA MODIFICATION | N° C.T. | NOM | VERIF B.E. | VERIF METH |
| Tolerances generales: - generale | | | Etats de surfaces (NFE 05-016) Ra: - partout sauf indications | | | |
| Ref: - | | | Echelle Machine: ALTERNATEUR ALTERNATOR | | | |
| Obs: SAE 2 - 10 H=180 - VS1 / VS2 / VS3 | | | 0,250 LSA423 | | | |
| Matiere: - | | | Designation: ENCOMBREMENT | | | |
| Modele de base: - | | | OUTLINE | | | |
| Variante: - | | | MOTEURS LEROY-SOMER 16015 ANGOULEME - FRANCE | | | |
| Composant: - | | | | | | |
| Compose: - | | | | | | |
| Dessine: Debord | | Verif methodes | | | | |
| Verifie: AR | | SM | | | | |
| Date: 18/07/11 | | 19/07/2011 | | A2 | | LSA423-8-028 |

8 7 6 5 4 3 2