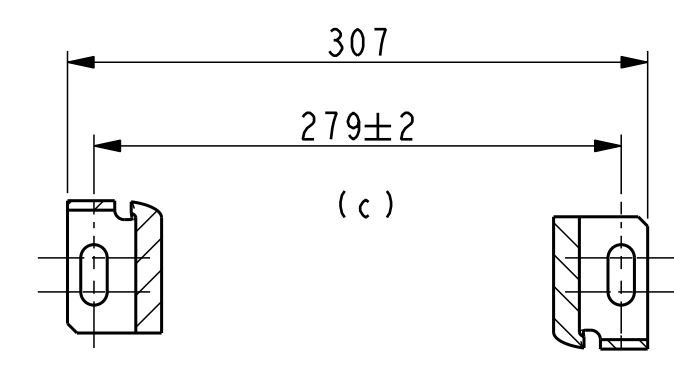
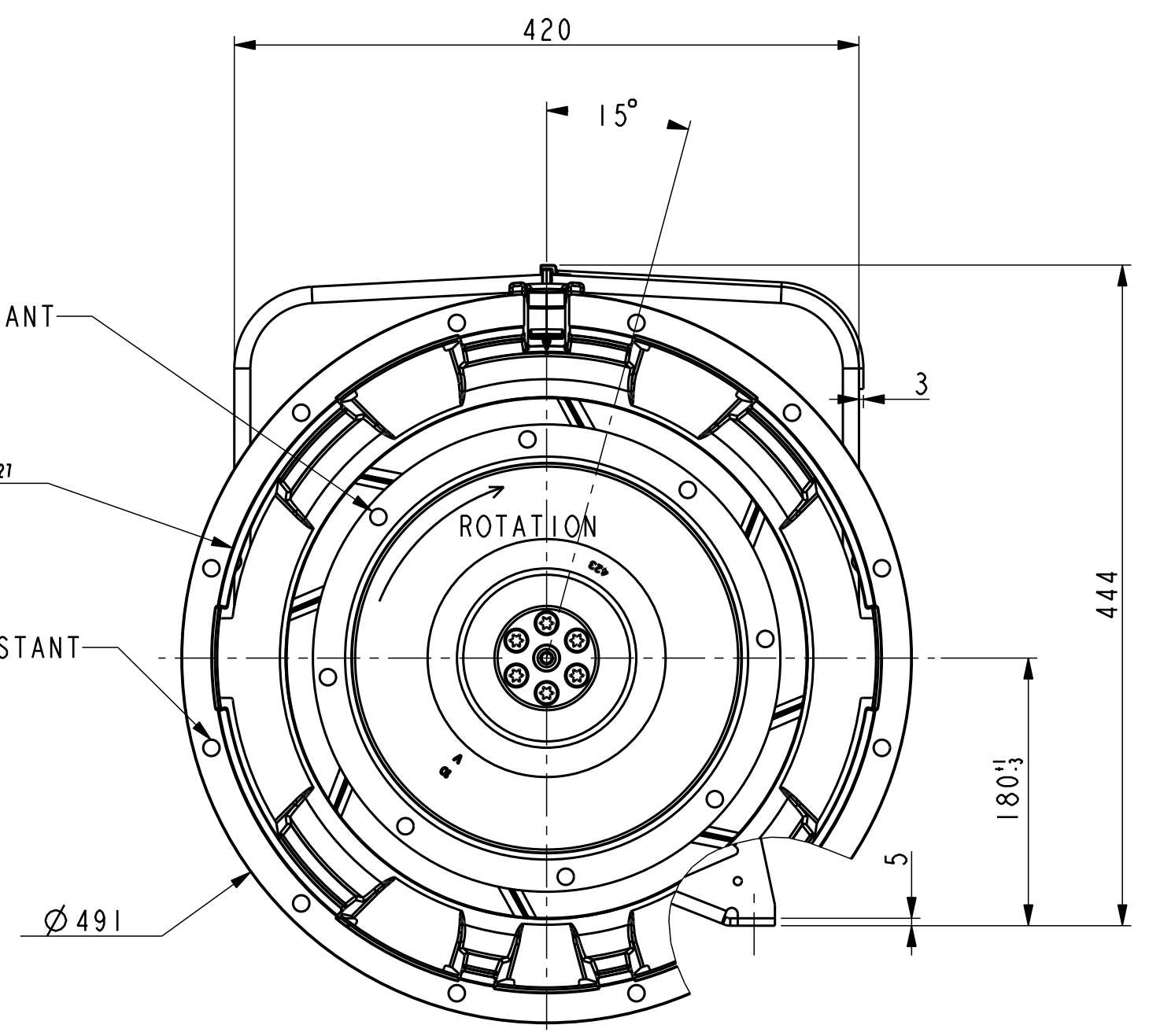


8 TROUS Ø11 sur Ø295.28 EQUIDISTANT
11 DIA, 8 EQ. SP. ON 295.28 PCD

12 TROUS Ø11 sur Ø466.72 EQUIDISTANT
11 DIA, 12 EQ. SP. ON 466.72 PCD

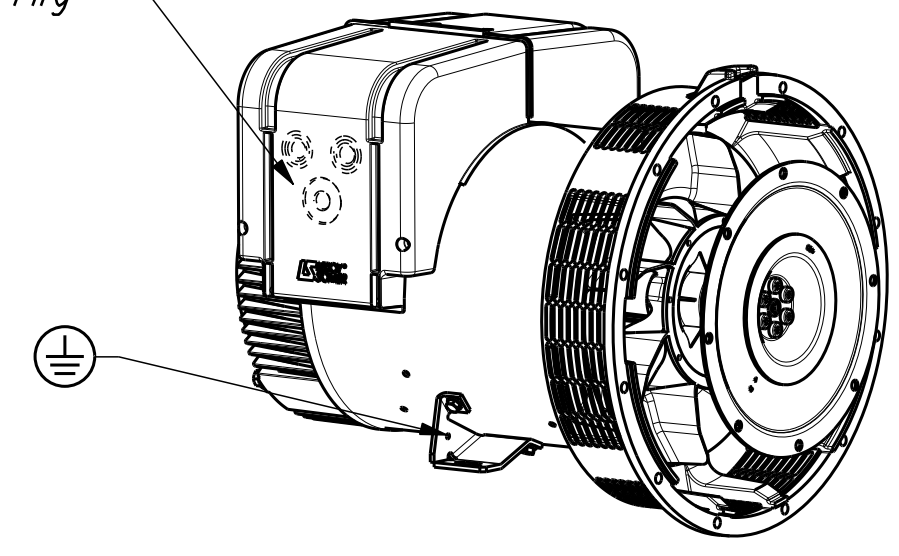


| TYPE | Xg | Masse Kg Weight | J Kgm ² |
|-----------|-----|--------------------|--------------------|
| LSA423 M8 | 285 | 185 | 0.3837 |
| LSA423 M7 | 277 | 180 | 0.3645 |

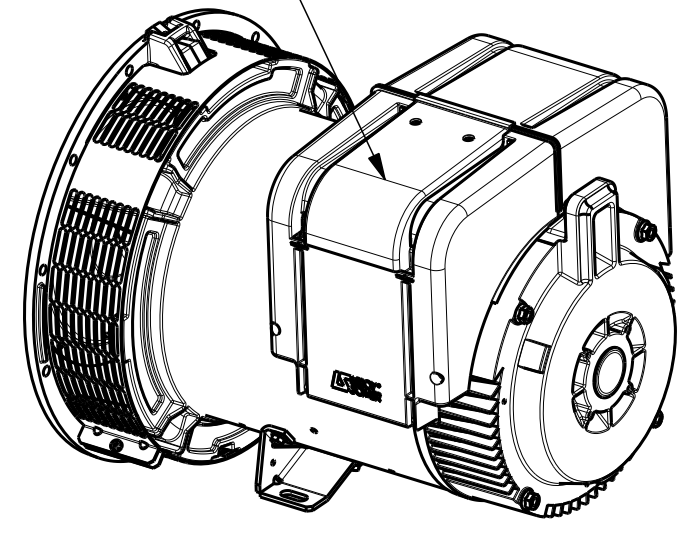
Pre perçage Ø21 Ø25 Ø32 Ø40 Ø50
Predrilling

Acces regulateur
Access to regulator

Sortie des cables Gauche vue bout d'arbre en STD
Acces regulateur Droite vue bout d'arbre en STD
Output power on left hand side view DE standard
Access to regulator on right hand side view DE standard



ECHELLE 0,125



ECHELLE 0,125

| | | | | | | |
|----------------------------------|------------|---------------------------|---|----------|------------|------------|
| - | - | - | - | - | - | - |
| C | 06/03/13 | Modification dimensions | 13-158 | KOVALSKÝ | - | - |
| b | 14/12/2011 | cote 586==>588 | 11-586 | JMD | AR | SM |
| a | X | X | 11-223 | X | X | X |
| INDICE | DATE | NATURE DE LA MODIFICATION | N° C.T. | NOM | VERIF B.E. | VERIF METH |
| Tolerances generales: - generale | | | Etats de surfaces (NFE 05-016) Ra: - partout sauf indications | | | |
| Ref: - | | | Echelle Machine: ALTERNATEUR ALTERNATOR | | | |
| Obs: SAE 2 - 10 H=180 - M7 / M8 | | | 0,250 LSA423 | | | |
| Matiere: | | | Designation: ENCOMBREMENT | | | |
| Modele de base: - | | | OUTLINE | | | |
| Variante: - | | | MOTEURS LEROY-SOMER 16015 ANGOULEME - FRANCE | | | |
| Composant: - | | | - | | | |
| Compose: - | | | - | | | |
| Dessine: Debord | | Verif methodes | | - | | |
| Verifie: AR | | SM | | - | | |
| Date: 18/07/11 | | 19/07/2011 | | - | | |
| A2 | | | LSA423-8-030 | | | |