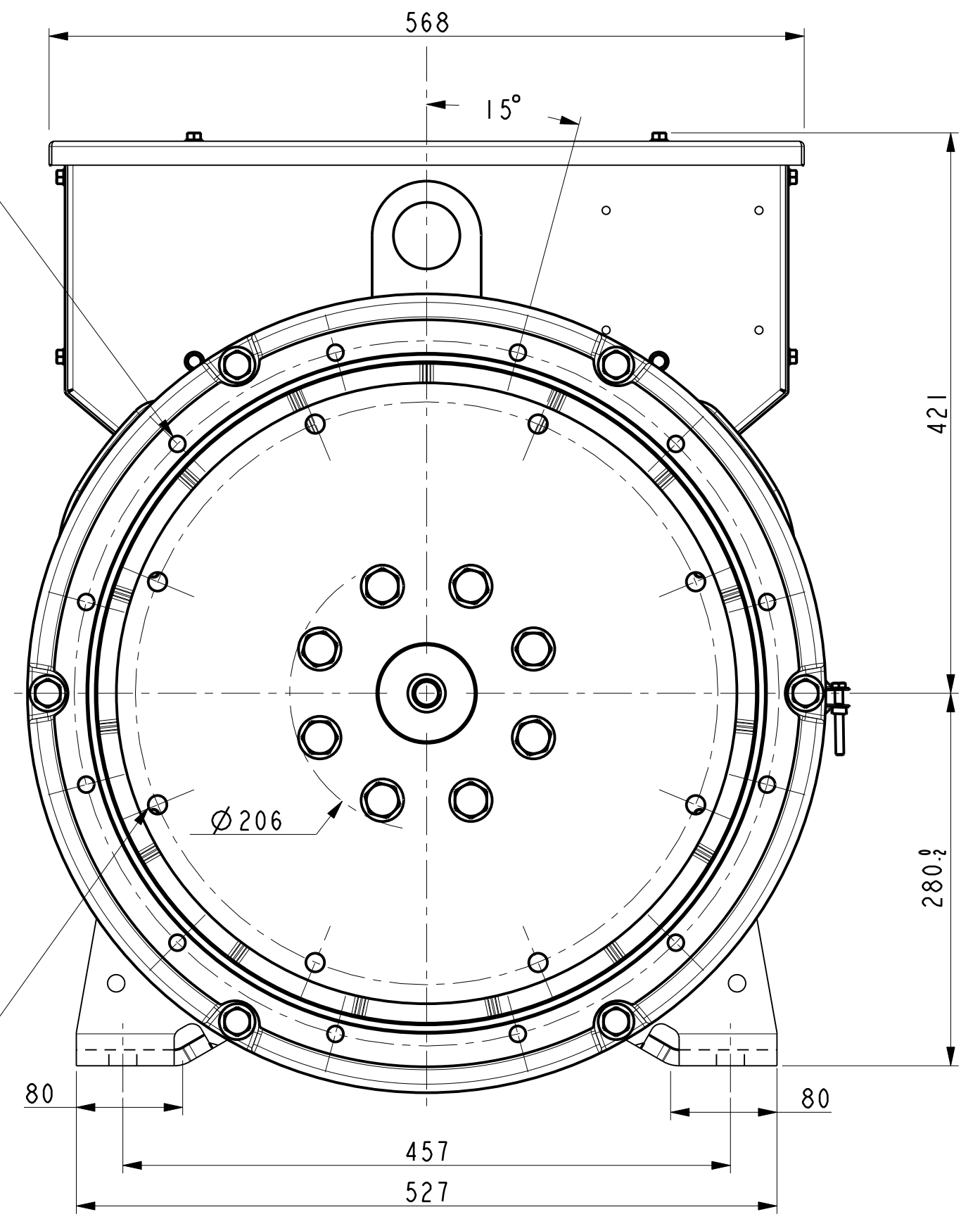


8 trous  $\varnothing 14$  equidistants sur  $\varnothing 438.15$   
 8 holes  $\varnothing 14$  equidistant on  $\varnothing 438.15$

12 trous  $\varnothing 12$  equidistants sur  $\varnothing 530.22$   
 12 holes  $\varnothing 12$  equidistant on  $\varnothing 530.22$



| -                     | -    | -                         | -                                                                  | -                               | -                   | -          |
|-----------------------|------|---------------------------|--------------------------------------------------------------------|---------------------------------|---------------------|------------|
| -                     | -    | -                         | -                                                                  | -                               | -                   | -          |
| -                     | -    | -                         | -                                                                  | -                               | -                   | -          |
| a                     | X    | X                         | 15-765                                                             | X                               | X                   | X          |
| INDICE                | DATE | NATURE DE LA MODIFICATION | N° C.T.                                                            | NOM                             | VERIF B.E.          | VERIF METH |
| Tolerances generales: |      |                           | Etats de surfaces (NFE 05-016) Ra: partout sauf indications        |                                 |                     |            |
| Ref:                  |      |                           | Echelle                                                            | Machine: ALTERNATEUR ALTERNATOR |                     |            |
| Obs:                  |      |                           | 0,250                                                              | TAL046                          |                     |            |
| Matiere:              |      |                           | Designation: ENCOMBREMENT TAL A-B-C SAE1-14                        |                                 |                     |            |
| Modele de base:       |      |                           | OUTLINE                                                            |                                 |                     |            |
| Variante:             |      |                           |                                                                    |                                 |                     |            |
| Composant:            |      |                           | <b>LEROY-SOMER</b> MOTEURS LEROY-SOMER<br>16015 ANGOULEME - FRANCE |                                 |                     |            |
| Compose:              |      |                           |                                                                    |                                 |                     |            |
| Dessine: Veselský     |      | Verif methodes            |                                                                    |                                 |                     |            |
| Verifie:              |      | -                         |                                                                    |                                 |                     |            |
| Date: 10/12/2015      |      | -                         |                                                                    |                                 |                     |            |
|                       |      |                           | <b>A2</b>                                                          |                                 | <b>TAL046-8-004</b> |            |