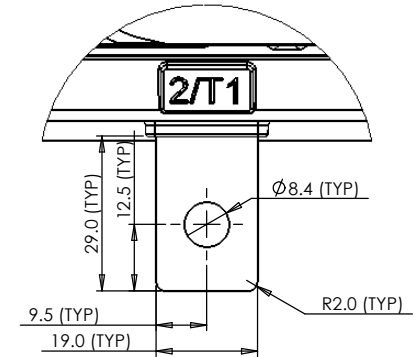
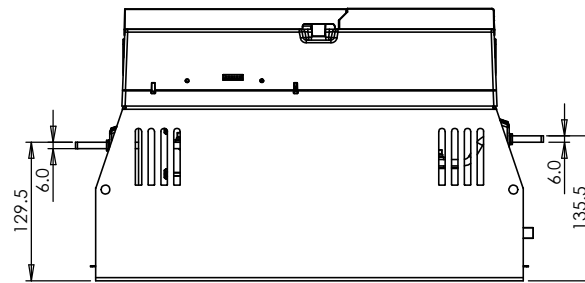
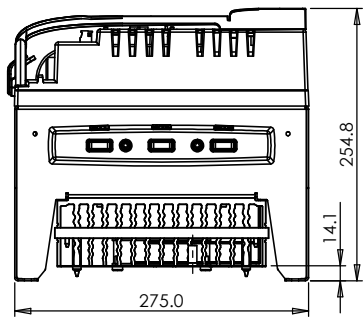
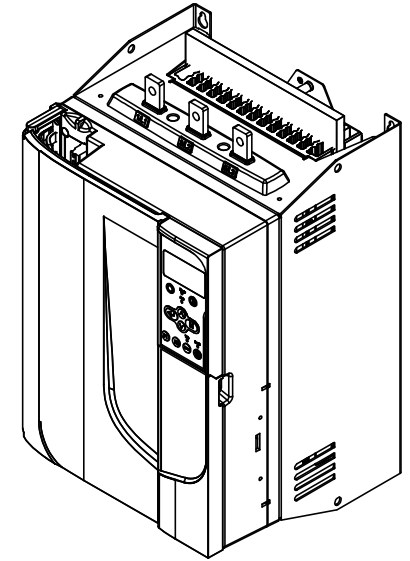
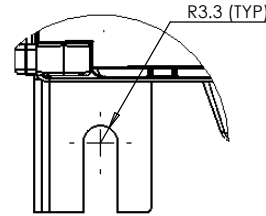
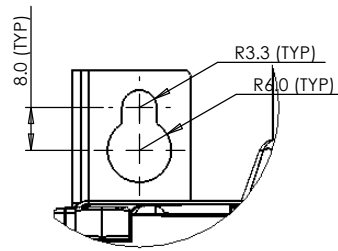
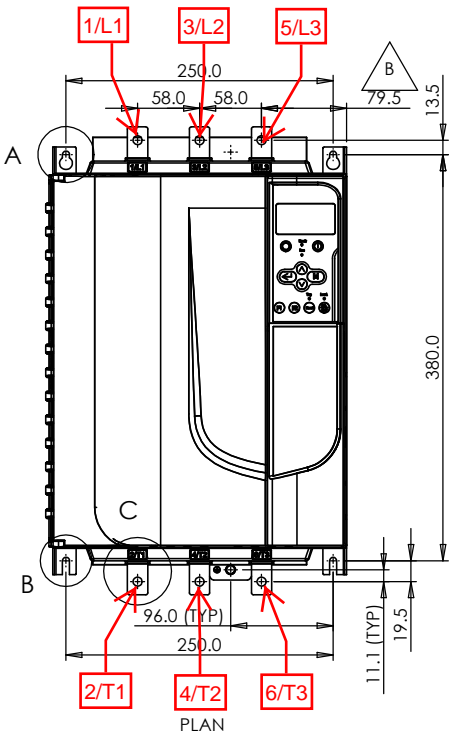
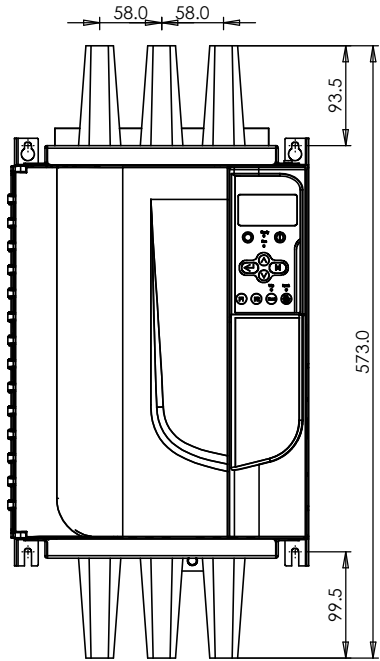


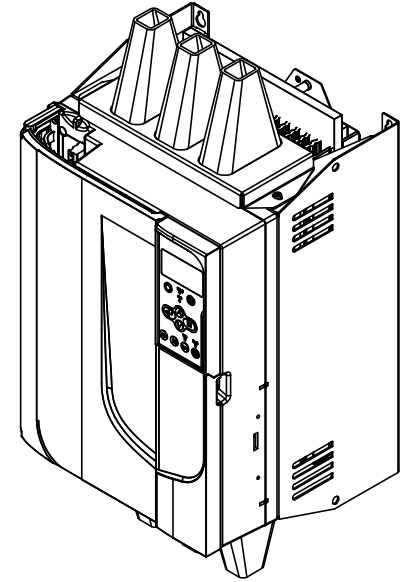
DO NOT SCALE DRAWING, IF IN DOUBT, PLEASE ASK.



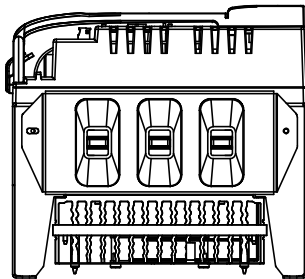
DO NOT SCALE DRAWING, IF IN DOUBT, PLEASE ASK.



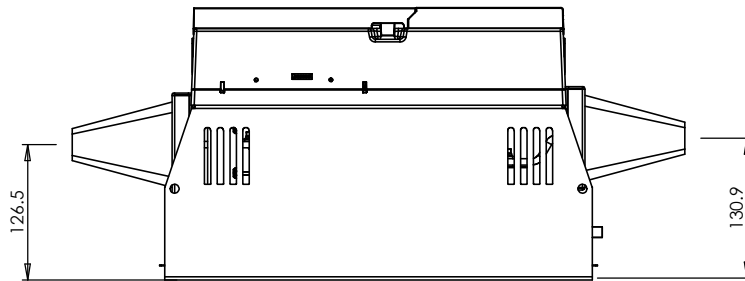
PLAN



PICTORIAL (WITH FINGER GUARDS)



FRONT ELEVATION



RIGHT ELEVATION