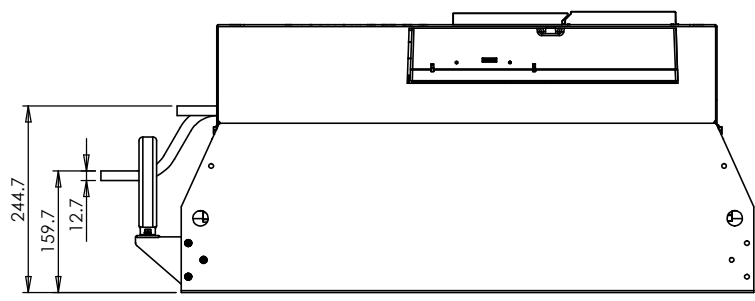
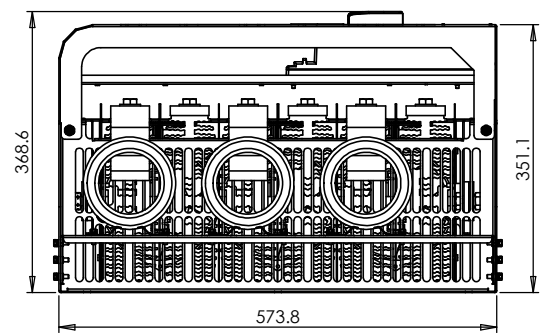
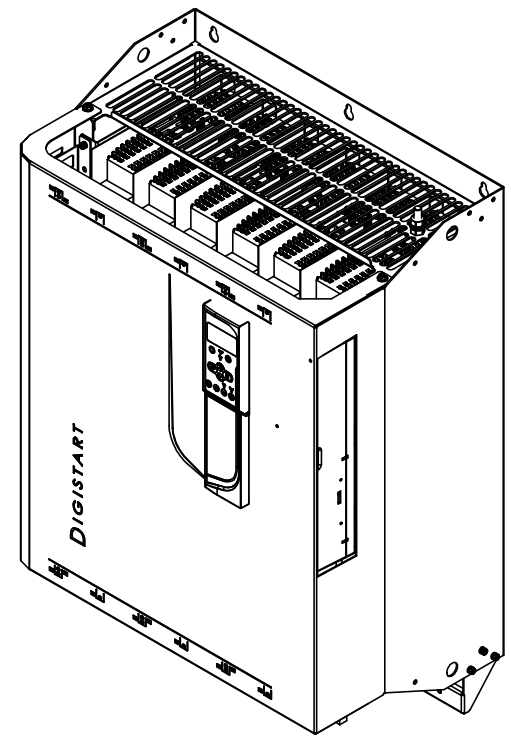
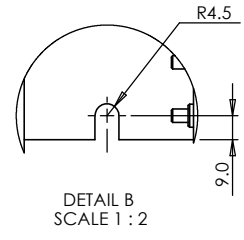
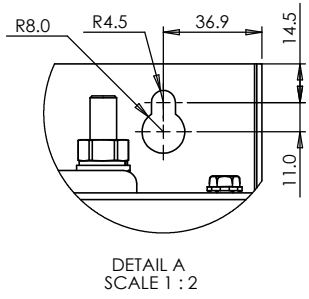
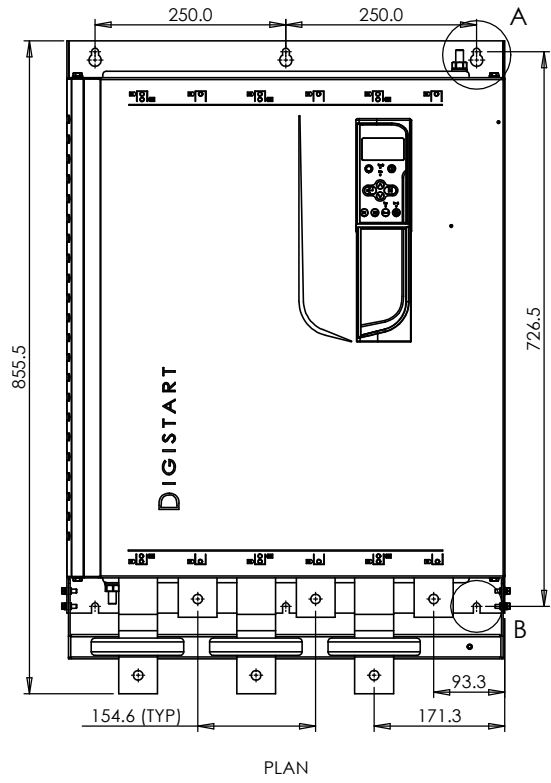


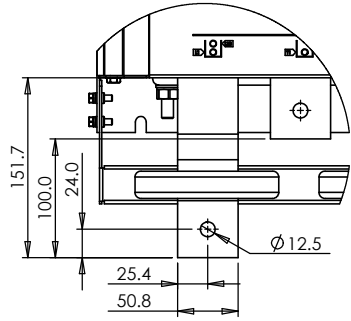
DO NOT SCALE DRAWING, IF IN DOUBT, PLEASE ASK.



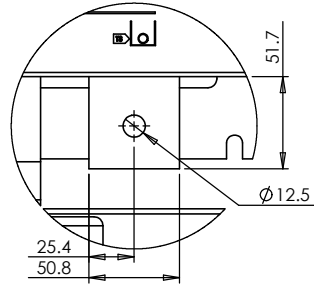
FRONT ELEVATION

RIGHT ELEVATION

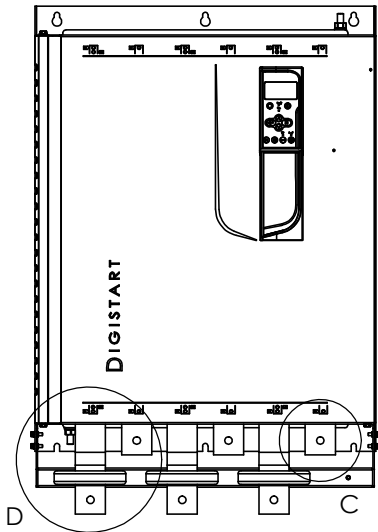
DO NOT SCALE DRAWING, IF IN DOUBT, PLEASE ASK.



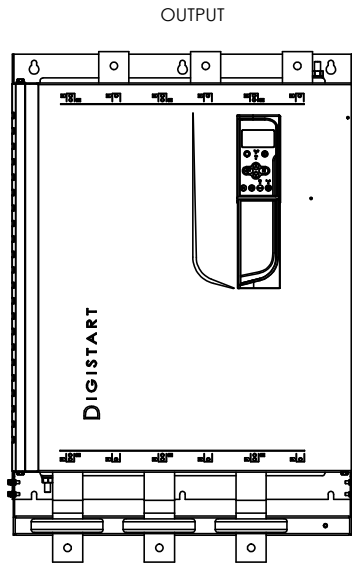
DETAIL D  
SCALE 2 : 9



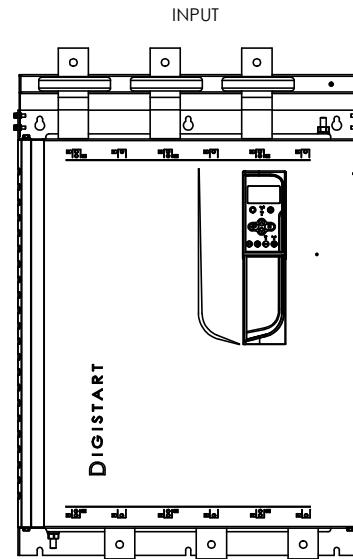
DETAIL C  
SCALE 1 : 3



INPUT/OUTPUT



INPUT



OUTPUT

